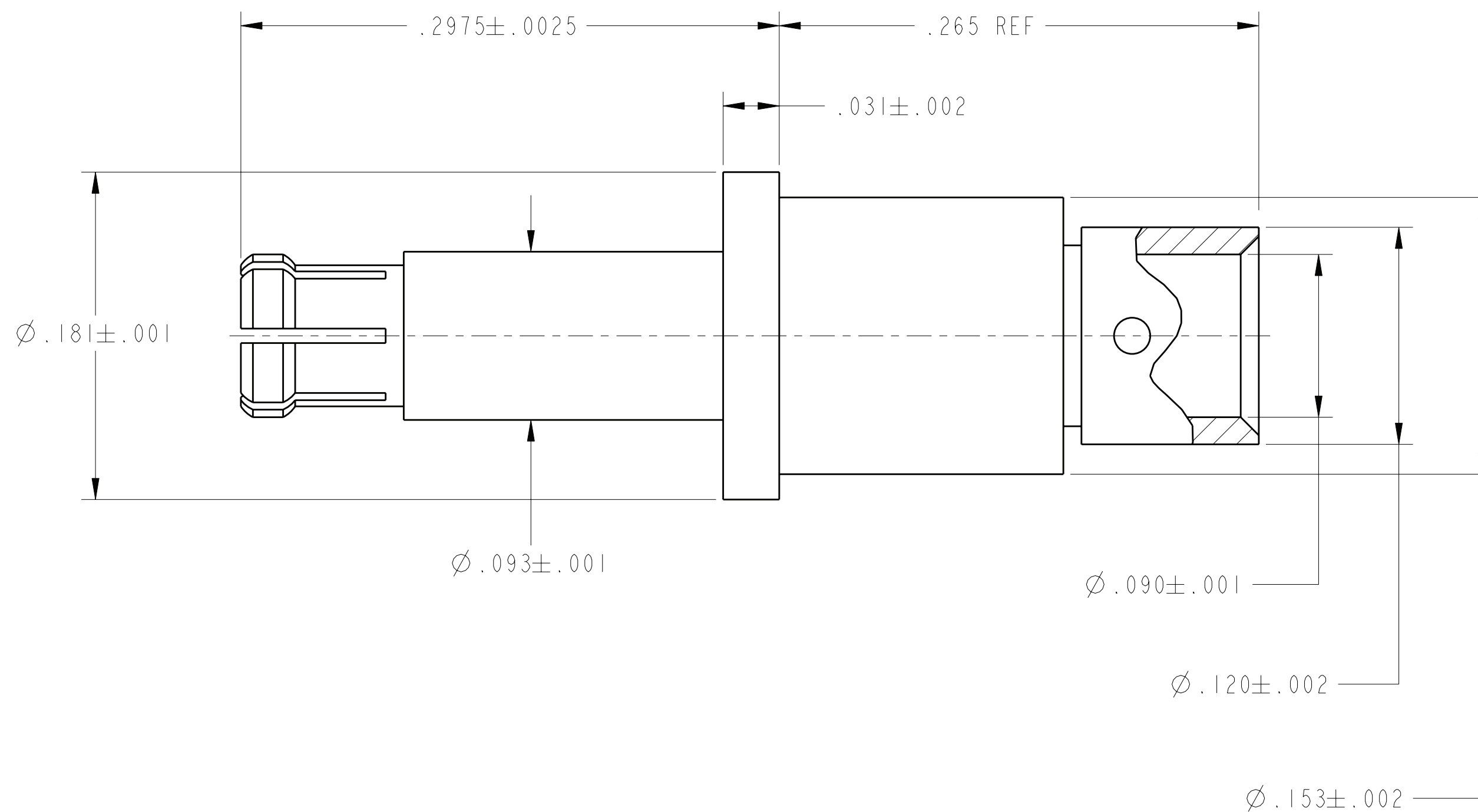
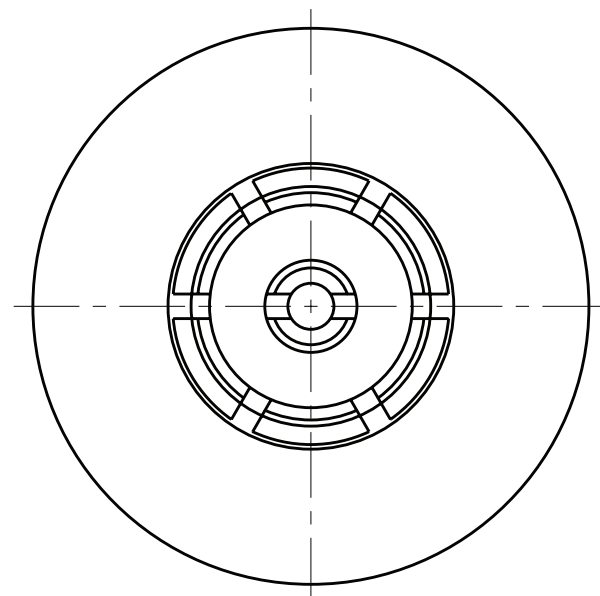


REV. A	DOCUMENT NO. 21-033448-09HF	
SHEET 1 OF 1		
REVISIONS		
LTR	DESCRIPTION	DATE
A	INITIAL RELEASE	



I. MATERIAL:
 BODY & CONTACT: BERYLLIUM COPPER PER ASTM B196, ALLOY NO. UNS C17300,TD04
 INSERT: BRASS PER ASTM B16, ALLOY NO. UNS 36000
 INSULATOR: PTFE PER ASTM D1710, TYPE I, GRADE I, CLASS B
 FINISH:
 BODY, INSERT & CONTACT: GOLD PER ASTM B488, TYPE II, CODE C, CLASS I.27; OVER NICKEL PER AMS-QQ-N-290, CLASS I, .00005" MIN.

PERFORMANCE:
 IMPEDANCE: 50 OHMS
 FREQ. RANGE: DC TO 65 GHZ
 DWV: 325 VRMS
 OPERATING TEMP: -55°C TO +125°C

NOTES:

THE USE OF THIS DOCUMENT IS UNLIMITED. HOWEVER, DOCUMENTS REFERENCED HEREON MAY CONTAIN LIMITED RIGHTS DATA.

RELEASED / Apr . 10 2012, 9:07:16 AM

DOCUMENT NO. 21-033448-09HF

SHEET 1 OF 1

REV. A

PRO/ENGINEER INFORMATION
 Pro/e Model Used:
 21-033448.DUMMY-9.PART
 Drawing Name:
 21-033448-09HF

N/A

NEXT ASSEMBLY

UNLESS OTHERWISE SPECIFIED

LINEAR DIMENSIONS ARE IN INCHES
 TOLERANCES:
 .XXXX = ±.0005 ANGLES= ±2°
 .XXX = ±.010
 .XX = ±.03
 .X = ±.1

DIM. & TOL. PER ASME Y14.5M;
 DRM PER MIL-DTL-31000;
 OTHER Amphenol Stds. PER 9-3800
 LEGENDS:
 =FLAG NOTE CALL OUT REFERENCE ONLY

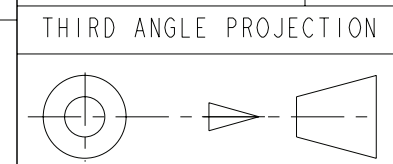
SPECIFICATIONS

MATERIAL SPEC.
 N/A

PROCESS SPEC.
 N/A

I	I	21-033448-09M	CONTACT ASSEMBLY	
POS	QTY	PART NUMBER	DESCRIPTION	NOTE

APPROVALS		DATE
PREPARED BY	LRATCHFORD	04-Apr-12
ENGINEER IN CHARGE	LRATCHFORD	
DESIGN MANAGER	SHEPLER	
DESIGN ACTIVITY GROUP	MIL-AERO-DEVELOP	



PARTS LIST			
AMPHENOL CORPORATION 40-60 DELAWARE AVENUE SIDNEY, N.Y. 13858			
65 GHZ SMPM PIN, FOR TFLEX-405 CABLE, FOR M38999 SIZE 12 CAVITY			
SIZE	CAGE CODE	DOCUMENT NO.	REV.
C	77820	21-033448-09HF	A
SCALE: 6.0	REF. 21-033448-05HF	SHEET 1 OF 1	

DOCUMENT NO. 21-033448-09HF

SHEET 1 OF 1

REV. A

C

B

A

FORMAT: C-0-E-1

Eng. PDM Information For Reference Only

REVISION A

DOCUMENT NO. 21-033448-09HF

REV. A