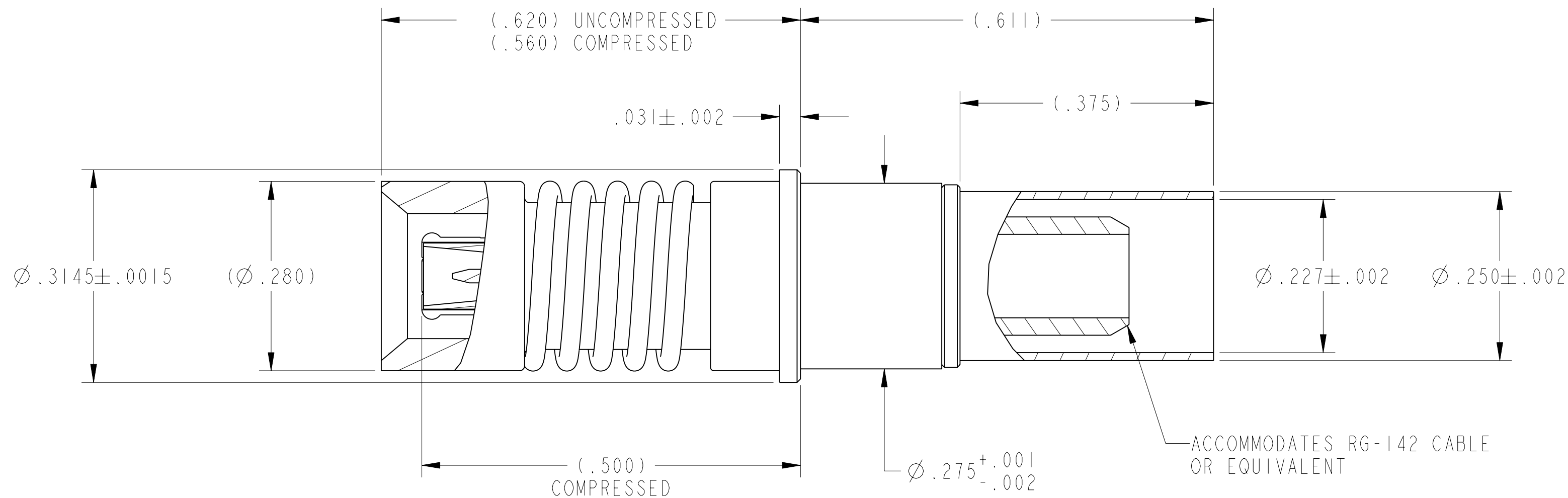


REV. A	SHEET 1 OF 1	DOCUMENT NO. 21-033449-03HF
REVISIONS M		
LTR	DESCRIPTION	DATE
A	INITIAL RELEASE	---



- I. MATERIAL:
- BODIES & SLEEVES: STAINLESS STEEL PER AMS 5640, ALLOY UNS S30300, TYPE 1
  - CONTACTS & LOCK RING: BERYLLIUM COPPER PER ASTM B196, ALLOY UNS C17300, TD04
  - INSULATORS: PTFE PER ASTM D1710, TYPE 1, GRADE 1, CLASS B
  - GASKET: SILICONE RUBBER PER A-A-59588, CLASS 2B, GRADE 50/60
- FINISH:
- BODIES & SLEEVES: PASSIVATED PER AMS-2700, TYPE 2.
  - SPRING: STAINLESS STEEL PER ASTM A313, TYPE 631.
  - CONTACT: GOLD PER ASTM B488, TYPE II, CODE C, CLASS 1.27; OVER NICKEL PER AMS-QQ-N-290, CLASS 1, .00005" MIN
- LOCK RING: NICKEL PER AMS-QQ-N-290
- PERFORMANCE:
- IMPEDANCE: 50 OHMS
  - FREQ. RANGE: DC TO 12 GHZ
  - DWV: 1000 VRMS
  - VSWR: 1.3:1 MAX. MATED PAIR DC TO 12.0 GHZ
  - INSERTION LOSS: .06 XSQRT(F(F IN GHZ))
  - OPERATING TEMP: -55°C TO +125°C

NOTES:

THE USE OF THIS DOCUMENT IS UNLIMITED. HOWEVER, DOCUMENTS REFERENCED HEREON MAY CONTAIN LIMITED RIGHTS DATA.

RELEASED / Oct. 16 2014, 1:06:08 PM

21-033449-03HF

SHEET 1 OF 1

REV. A

PRO/ENGINEER INFORMATION

Pro/e Model Used: 21-033449-03HF.ASSEM Drawing Name: 21-033449-03HF

N/A

NEXT ASSEMBLY

UNLESS OTHERWISE SPECIFIED	SPECIFICATIONS	POS	QTY	PART NUMBER	DESCRIPTION	NOTE
LINEAR DIMENSIONS ARE IN INCHES TOLERANCES: .XXXX = ±.0005 ANGLES= ±2° .XXX = ±.010 .XX = ±.03 .X = ±.1 DIM. & TOL. PER ASME Y14.5M; DRM PER MIL-DTL-31000; OTHER Amphenol Stds. PER 9-3800 LEGENDS: =FLAG NOTE CALL OUT REFERENCE ONLY	MATERIAL SPEC.	PARTS LIST				
	N/A	APPROVALS	DATE	<b>AMPHENOL CORPORATION</b> <small>40-60 DELAWARE AVENUE SIDNEY, N.Y. 13858</small>		
PROCESS SPEC.	N/A	PREPARED BY J. CARNEVALE ENGINEER IN CHARGE D. PHILLIPS DESIGN MANAGER E. HICKEY DESIGN ACTIVITY GROUP CI	02-01-14	<b>12 GHZ BMZ TO RG-142 FOR M38999 SIZE 8 SOCKET CAVITY</b>		
		THIRD ANGLE PROJECTION		SIZE C CAGE CODE 77820	DOCUMENT NO. 21-033449-03HF	REV. A
				SCALE: 5.0	REF. 21-033449-05HF	SHEET 1 OF 1