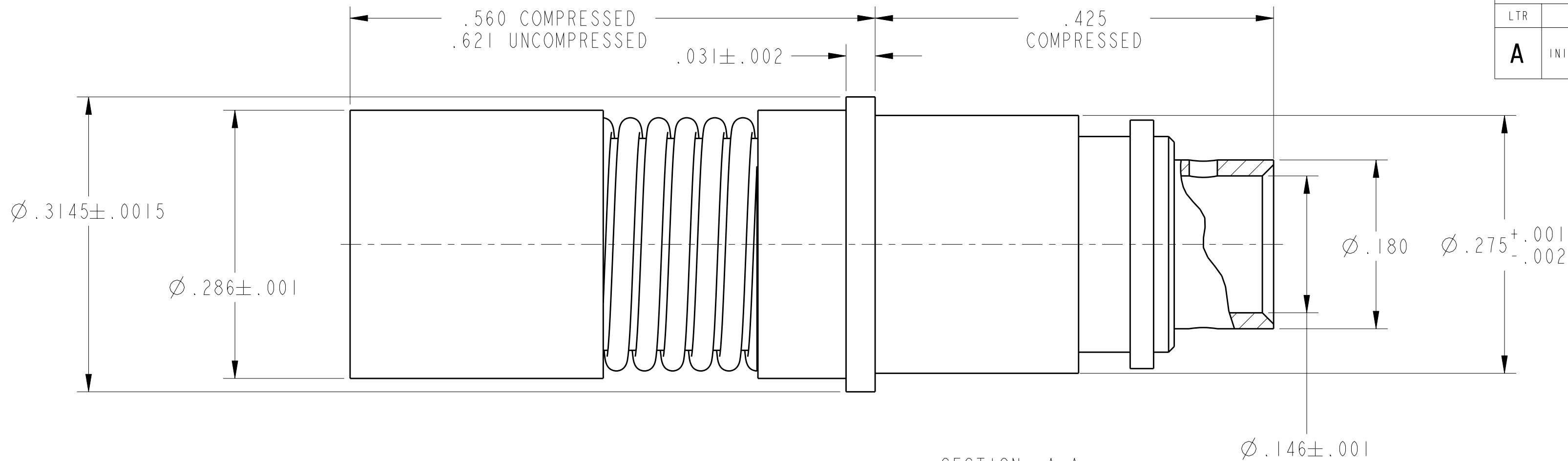


REV. A	SHEET 1 OF 1	DOCUMENT NO. 21-033449-07HF
REVISIONS		
LTR	DESCRIPTION	DATE
A	INITIAL RELEASE	



SECTION A-A  
SCALE 10.000

2. WHEN USED IN AN MIL-DTL-38999 CONNECTOR, THIS CONTACT INCORPORATES PIGGYBACK GROMMET SEAL 21-33321-10. ASSEMBLE SEAL OVER CABLE JACKET, RUBBER END FIRST, BEFORE STRIPPING THE CABLE. AFTER INSERTING THE TERMINATED CONTACT INTO THE CONNECTOR INSERT CAVITY, SLIDE THE SEAL INTO THE CONNECTOR GROMMET OPENING. SEAL MUST BE PURCHASED SEPARATELY.

1. MATERIAL:
- BODY, SHROUD & SLEEVE: STAINLESS STEEL PER AMS 5640, ALLOY UNS S30300, TYPE 1
  - CONTACT & LOCK RING: BERYLLIUM COPPER PER ASTM B196, ALLOY NO. UNS C17300, TD04
  - INSULATOR: PTFE PER ASTM D1710, TYPE 1, GRADE 1, CLASS B
  - SPRING: STAINLESS STEEL PER ASTM A313, TYPE 631
  - FINISH: SHROUD, SLEEVE & SPRING: PASSIVATED PER AMS-2700, TYPE 2
  - BODY: GOLD PER ASTM B488, TYPE 11, CODE C, CLASS 1.27; OVER NICKEL PER AMS-QQ-N-290, CLASS 1, .00005" MIN.
  - CONTACT: GOLD PER ASTM B488, TYPE 11, CODE C, CLASS 1.52; OVER NICKEL PER AMS-QQ-N-290, CLASS 1, .00005" MIN.
  - LOCK RING: NICKEL PER AMS-QQ-N-290
  - PERFORMANCE: IMPEDANCE: 50 OHMS
  - FREQ. RANGE: DC TO 26.5 GHZ
  - VSWR: 1.30:1 MAX. MATED PAIR DC TO 26.5 GHZ
  - INSERTION LOSS: .06 X SQRT(F(F IN GHZ))
  - DWV: 1000 VRMS
  - OPERATING TEMP: -55°C TO +125°C

NOTES:

THE USE OF THIS DOCUMENT IS UNLIMITED. HOWEVER, DOCUMENTS REFERENCED HEREON MAY CONTAIN LIMITED RIGHTS DATA.

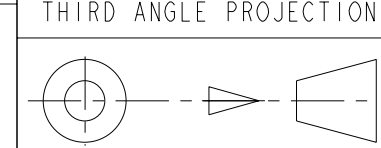
RELEASED / Sep. 21 2012, 10:14:16 AM  
DOCUMENT NO. 21-033449-07HF SHEET 1 OF 1 REV. A

CA-628485-716M  
NEXT ASSEMBLY

PRO/ENGINEER INFORMATION  
Pro/e Model Used:  
21-033449-07HF.ASSEM  
Drawing Name:  
21-033449-07HF

UNLESS OTHERWISE SPECIFIED	SPECIFICATIONS
LINEAR DIMENSIONS ARE IN INCHES TOLERANCES: .XXXX = ±.0005 ANGLES= ±2° .XXX = ±.010 .XX = ±.03 .X = ±.1	MATERIAL SPEC. N/A
DIM. & TOL. PER ASME Y14.5M; DRM PER MIL-DTL-31000; OTHER Amphenol Stds. PER 9-3800	PROCESS SPEC. N/A
LEGENDS: = FLAG NOTE CALL OUT REFERENCE ONLY	

I	I	21-033449-07M	CONTACT ASSEMBLY	
POS	QTY	PART NUMBER	DESCRIPTION	NOTE
PARTS LIST				
<b>AMPHENOL CORPORATION</b> 40-60 DELAWARE AVENUE SIDNEY, N.Y. 13858 <b>26.5 GHZ BMA SOCKET,          FOR TFLEX-402 CABLE,          FOR M38999 SIZE 8 CAVITY</b>				
SIZE	CAGE CODE	DOCUMENT NO.	REV.	
C	77820	21-033449-07HF	A	
SCALE: 3.0	REF. 21-033449-05HF	SHEET 1 OF 1		



21-033449-07HF

SHEET 1 OF 1

REV. A

Eng. PDM Information For Reference Only

REV. A

SHEET 1 OF 1

21-033449-07HF