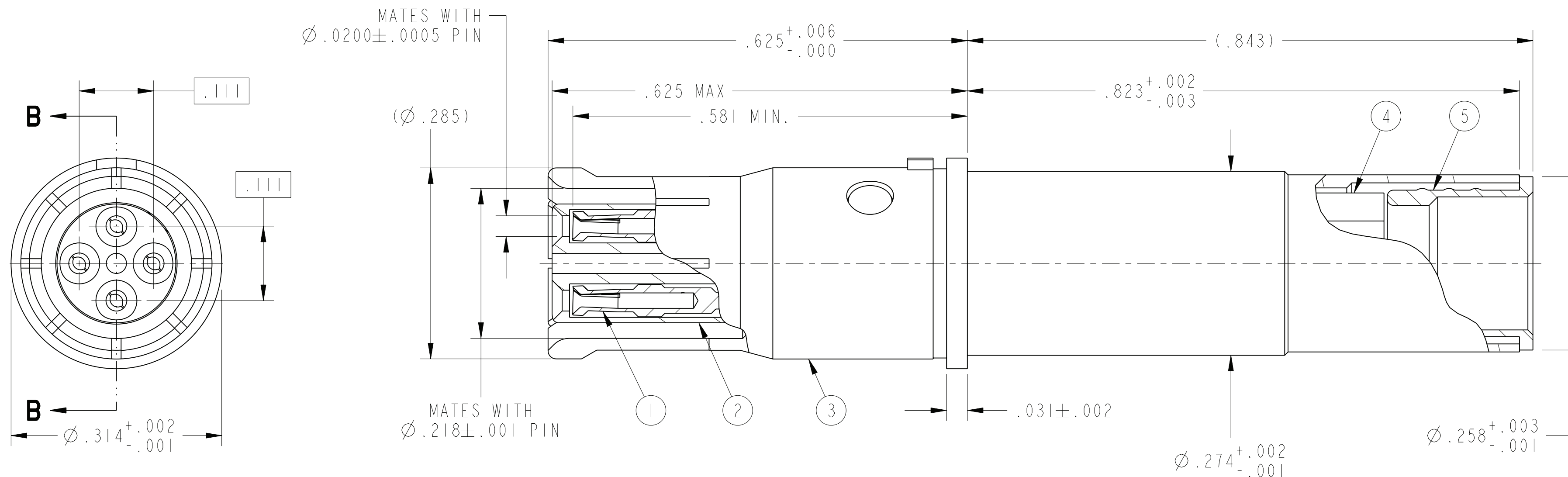


21-033451-001		DOCUMENT NO.
SHEET 1 OF 1		REV.
REVISIONS		
LTR	DESCRIPTION	DATE
A	INITIAL RELEASE	9/12/2008
B	(CL 1) SEE ECN B1358	---



PARTIAL SECTION B-B

- MATES WITH D38999 QUADRAX PINS 21-33450-().
- CRIMPING TOOLS:
 OUTER CONTACT- M22520/5-01 TOOL, M22520/5-45 DIE SET (HEX CLOSURE A)
 INNER CONTACTS- M22520/2-01 TOOL, DANIELS K709 (M22520/2-37) POSITIONER
- TERMINATES QUADRAX CABLE TENSOLITE 26473/02006X-4(LD) (150 OHM) OR EQUIVALENT.
- DRAWING ILLUSTRATES FINAL ASSEMBLY. CONTACT COMPONENTS ARE SHIPPED UNASSEMBLED
 INSTALLATION INSTRUCTIONS & PIGGYBACK GROMMET SEAL (NOT ILLUSTRATED) ARE
 PACKAGED WITH EACH ASSEMBLY. PACKAGE PER PRODUCTION PROCESS SHEET.
- MATERIALS:
 OUTER & INNER CONTACTS- BERYLLIUM COPPER PER ASTM-B-196
 SHIELD FERRULE- BRASS PER ASTM B453 OR QQ-B-626
 FRONT INSULATOR & SPACER INSULATOR- TFE RESIN PER ASTM 3651
- FINISH:
 GOLD PLATED PER MIL-G-45204 TYPE II, GRADE C, CLASS I (.000050 MIN)
 OVER NICKEL PLATE PER QQ-N-290 (.000050 MIN).
- CONTACTS MEET THE ENVELOPE DIMENSIONAL REQUIREMENTS OF M39029/91.

NOTES:

THE USE OF THIS DOCUMENT IS UNLIMITED. HOWEVER, DOCUMENTS REFERENCED HEREON MAY CONTAIN LIMITED RIGHTS DATA.

PRO/ENGINEER INFORMATION	Pro/e Model Used:
	21-033451-001.ASSEM
	Drawing Name:
	21-033451-001

UNLESS OTHERWISE SPECIFIED	SPECIFICATIONS
LINEAR DIMENSIONS ARE IN INCHES TOLERANCES: .XXXX = ±.0005 ANGLES= ±2° .XXX = ±.010 .XX = ±.03 .X = ±.1	MATERIAL SPEC. N/A
DIM. & TOL. PER ASME Y14.5M; DRM PER MIL-DTL-31000; OTHER Amphenol Stds. PER 9-3800	PROCESS SPEC. N/A
LEGENDS: = FLAG NOTE CALL OUT REFERENCE ONLY	

POS	QTY	PART NUMBER	DESCRIPTION	NOTE
7	1	L-2119-BW	INSTALLATION INSTRUCTIONS	4
6	1	21-033321-030	PIGGYBACK GROMMET SEAL	4
5	1	21-033384-036	SHIELD FERRULE	
4	1	21-033382-005 OR 21-033382-025	SPACER INSULATOR	
3	1	21-033385-044	OUTER CONTACT	
2	1	21-033385-053	FRONT INSULATOR	
1	4	21-033451-002	INNER CONTACT	

APPROVALS		DATE	PARTS LIST	
PREPARED BY	D. PHILLIPS	05-Aug-08	AMPHENOL CORPORATION 40-60 DELAWARE AVENUE SIDNEY, N.Y. 13858 CONTACT, SOCKET, QUADRAX, ELECTRICAL CONNECTOR, TYPE D38999 I & III	
ENGINEER IN CHARGE	L. RATCHFORD			
DESIGN MANAGER	H. JOHNSON			
DESIGN ACTIVITY GROUP	MIL-AERO DEVELOP			
THIRD ANGLE PROJECTION			SIZE	CAGE CODE
			C	77820
			DOCUMENT NO.	REV.
			21-033451-001	B
			SCALE: 8.0	SHEET 1 OF 1

21-033451-001

SHEET 1 OF 1

REV.

C

B

A

FORMAT: C-U-E-I

21-033451-001

SHEET 1 OF 1

REV. B

21-033451-001

SHEET 1 OF 1

REV.

C

B

A

21-033451-001