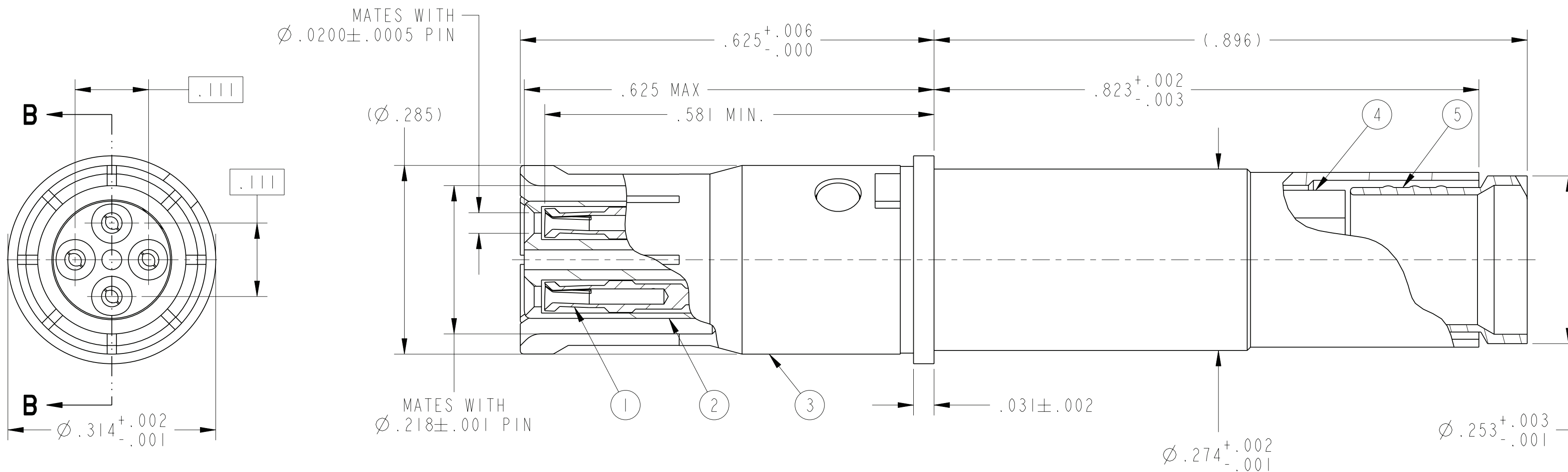


REV. B		SHEET 1 OF 1		DOCUMENT NO. 21-033451-011	
REVISIONS					
LTR	DESCRIPTION			DATE	
A	INITIAL RELEASE			4/8/2010	
B	(CL 1) SEE ECN B1359			---	



8. FINAL CONTACT ASSEMBLY TO BE PERFORMED AND TESTED BY CABLE MANUFACTURER.

7. MATES WITH D38999 QUADRAX PINS 21-033450-().

6. CRIMPING TOOLS:
 OUTER CONTACT- M22520/5-01 TOOL, M22520/5-45 DIE SET (HEX CLOSURE A)
 INNER CONTACTS- M22520/2-01 TOOL, DANIELS K709 (M22520/2-37) POSITIONER

5. TERMINATES QUADRAX CABLE GORE ACN1037 (150 OHM) OR EQUIVALENT.

4. DRAWING ILLUSTRATES FINAL ASSEMBLY. CONTACT COMPONENTS ARE SHIPPED UNASSEMBLED. PIGGYBACK GROMMET SEAL (NOT ILLUSTRATED) IS PACKAGED WITH EACH ASSEMBLY. PACKAGE PER PRODUCTION PROCESS SHEET.

3. MATERIALS:
 OUTER & INNER CONTACTS- BERYLLIUM COPPER PER ASTM-B-196
 SHIELD FERRULE- BRASS PER ASTM B453 OR QQ-B-626
 FRONT INSULATOR & SPACER INSULATOR- TFE RESIN PER ASTM 3651

2. FINISH:
 GOLD PLATED PER MIL-G-45204 TYPE II, GRADE C, CLASS I (.000050 MIN)
 OVER NICKEL PLATE PER QQ-N-290 (.000050 MIN).

1. CONTACTS MEET THE ENVELOPE DIMENSIONAL REQUIREMENTS OF M39029/91.

NOTES:

THE USE OF THIS DOCUMENT IS UNLIMITED. HOWEVER, DOCUMENTS REFERENCED HEREON MAY CONTAIN LIMITED RIGHTS DATA.

N/A
 NEXT ASSEMBLY

PRO/ENGINEER INFORMATION
 Pro/e Model Used:
 21-033451-011.ASSEM
 Drawing Name:
 21-033451-011

UNLESS OTHERWISE SPECIFIED
 LINEAR DIMENSIONS ARE IN INCHES
 TOLERANCES:
 .XXXX = ±.0005 ANGLES= ±2°
 .XXX = ±.010
 .XX = ±.03
 .X = ±.1
 DIM. & TOL. PER ASME Y14.5M;
 DRM PER MIL-DTL-31000;
 OTHER Amphenol Stds. PER 9-3800
 LEGENDS:
 =FLAG NOTE CALL OUT REFERENCE ONLY

SPECIFICATIONS
 MATERIAL SPEC.
 N/A
 PROCESS SPEC.
 N/A

POS	QTY	PART NUMBER	DESCRIPTION	NOTE
6	1	21-033321-030	PIGGYBACK GROMMET SEAL	4
5	1	21-033384-116	SHIELD FERRULE	
4	1	21-033382-005	SPACER INSULATOR	
		OR 21-033382-025		
3	1	21-033385-084	OUTER CONTACT	
2	1	21-033385-053	FRONT INSULATOR	
1	4	21-033451-002	INNER CONTACT	

APPROVALS		DATE
PREPARED BY	D. PHILLIPS	04-Feb-09
ENGINEER IN CHARGE	L. RATCHFORD	
DESIGN MANAGER	R. SELFRIDGE	
DESIGN ACTIVITY GROUP	MIL-AERO DEVELOP	
THIRD ANGLE PROJECTION		

AMPHENOL CORPORATION
 40-60 DELAWARE AVENUE
 SIDNEY, N.Y. 13858

**CONTACT, SOCKET, QUADRAX,
 ELECTRICAL CONNECTOR,
 TYPE D38999 I & III, BOX PATTERN**

SIZE C	CAGE CODE 77820	DOCUMENT NO. 21-033451-011	REV. B
SCALE: 8.0		REF. 21-033451-001	SHEET 1 OF 1