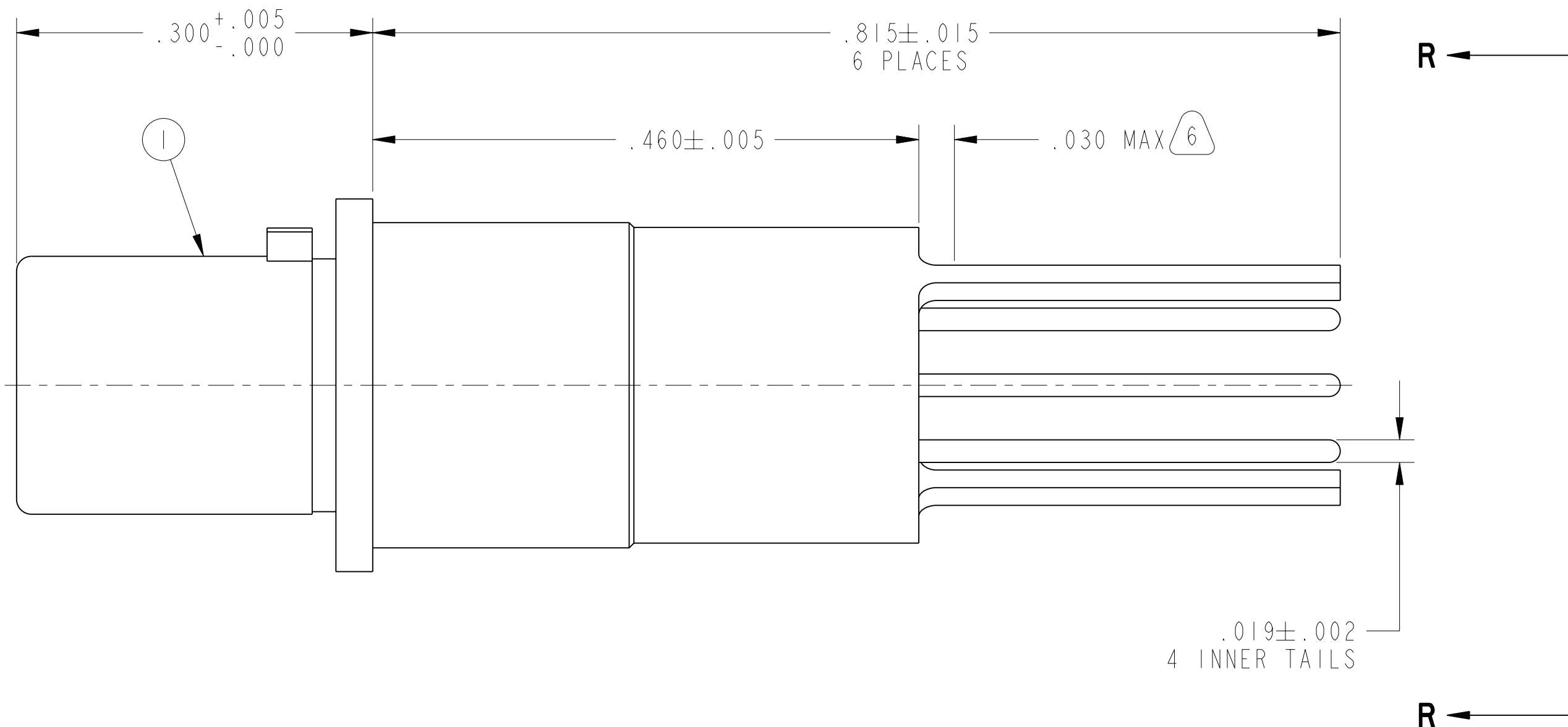
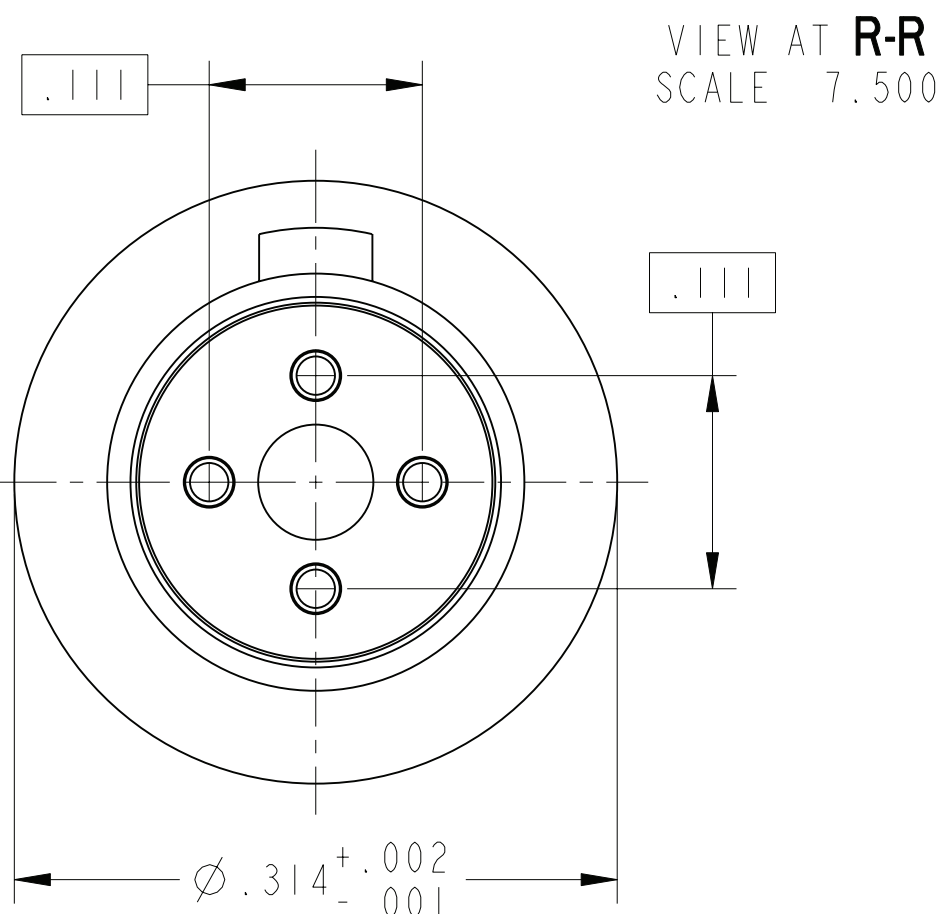
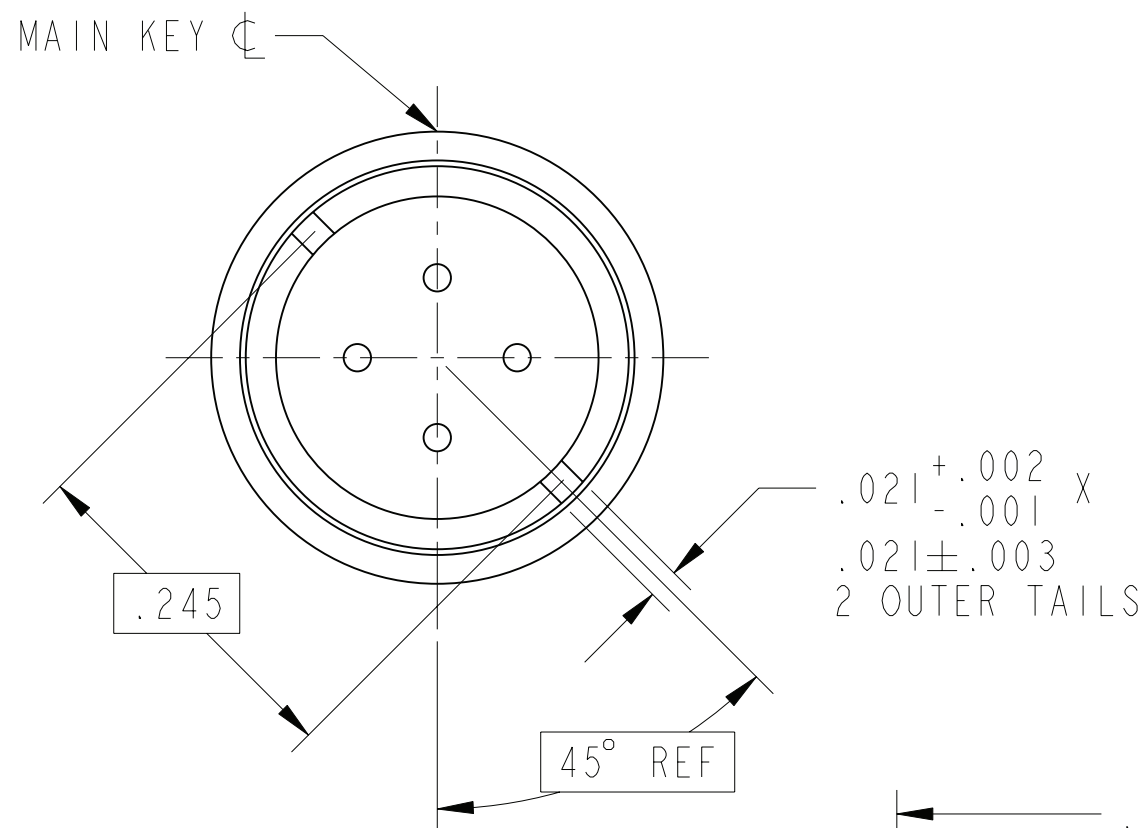


REV. A	SHEET 1 OF 1	DOCUMENT NO. 21-033452-021
REVISIONS		
LTR	DESCRIPTION	DATE
A	INITIAL RELEASE	-



- CONTACTS MEET THE ENVELOPE DIMENSIONAL REQUIREMENTS OF M39029/90.
- FINISH:
GOLD PLATED PER MIL-G-45204 TYPE II, GRADE C, CLASS I (.000050 MIN)
OVER NICKEL PLATE PER QQ-N-290 (.000050 MIN).
- MATERIALS:
OUTER & INNER CONTACTS- BERYLLIUM COPPER PER ASTM-B-196
FRONT INSULATOR & SPACER INSULATOR- TFE RESIN PER AMS 3651
- MATES WITH M38999 QUADRAX SOCKETS 21-033451-001 & OTHERS.
- ALL DIMENSIONS ARE AFTER PLATING.
- EPOXY MAY BE PRESENT ON CONTACT TAILS IN INDICATED AREA.

NOTES:

THE USE OF THIS DOCUMENT IS UNLIMITED. HOWEVER, DOCUMENTS REFERENCED HEREON MAY CONTAIN LIMITED RIGHTS DATA.

RELEASED / Jun . 12 2009, 1:52:41 PM

DOCUMENT NO. 21-033452-021

SHEET 1 OF 1

REV. A

10-628485-682X

NEXT ASSEMBLY

PRO/ENGINEER INFORMATION

Pro/e Model Used:

21-033452-021.ASSEM

Drawing Name:

21-033452-021

UNLESS OTHERWISE SPECIFIED	SPECIFICATIONS
LINEAR DIMENSIONS ARE IN INCHES TOLERANCES: .XXXX = $\pm .0005$ ANGLES = $\pm 2^\circ$.XXX = $\pm .010$.XX = $\pm .03$.X = $\pm .1$	MATERIAL SPEC. N/A
DIM. & TOL. PER ASME Y14.5M; DRM PER MIL-DTL-31000; OTHER Amphenol Stds. PER 9-3800	PROCESS SPEC. N/A
LEGENDS: \triangle = FLAG NOTE CALL OUT REFERENCE ONLY	

I	I	21-033452-021M	CONTACT, PIN, QUADRAX, PCB	
POS	QTY	PART NUMBER	DESCRIPTION	NOTE
PARTS LIST				
AMPHENOL CORPORATION 40-60 DELAWARE AVENUE SIDNEY, N.Y. 13856				
CONTACT, PIN, QUADRAX, ELECTRICAL CONNECTOR, TYPE M38999 I & III, PCB				
SIZE	CAGE CODE	DOCUMENT NO.	REV.	
C	77820	21-033452-021	A	
SCALE: 10:0	REF. 21-033452-051	SHEET 1 OF 1		