

REV. A	SHEET 1 OF 1	DOCUMENT NO. 21-033453-041
REVISIONS		
LTR	DESCRIPTION	DATE
A	INITIAL RELEASE	-

21-033453-041

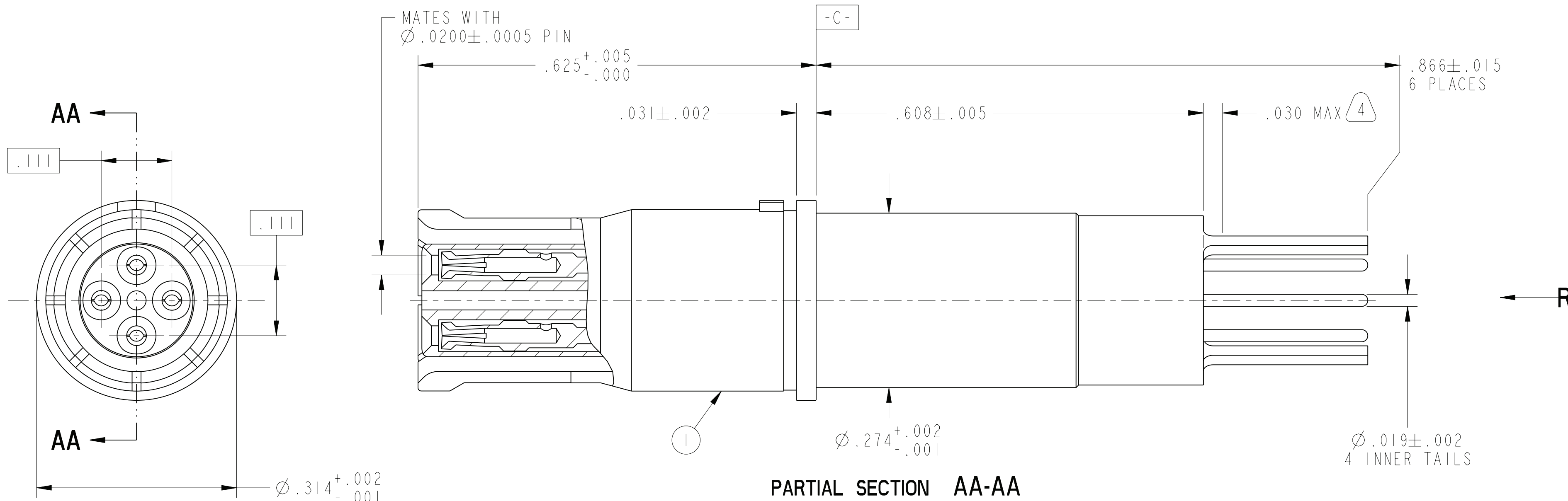
SHEET 1 OF 1

REV. A

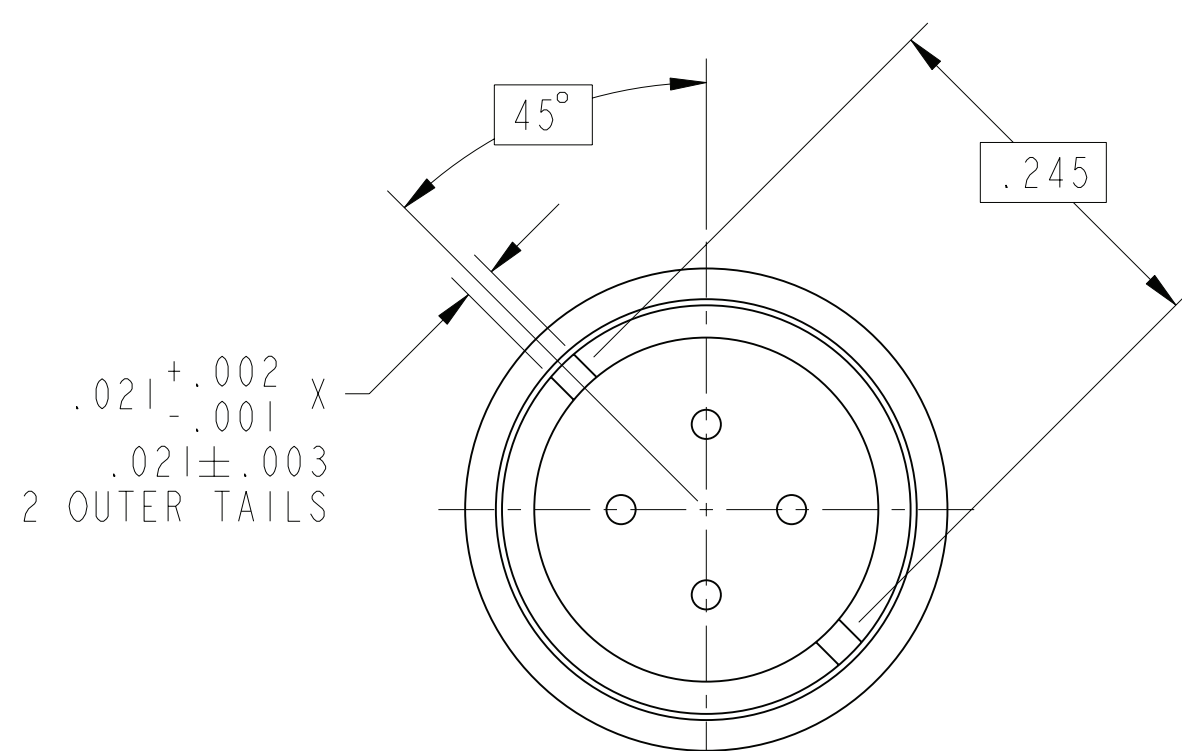
C

B

A



PARTIAL SECTION AA-AA



VIEW AT R

- 6. ALL DIMENSIONS ARE AFTER PLATING.
- 5. MATES WITH M38999 QUADRAX PINS 21-033450-().
- 4. EPOXY MAY BE PRESENT ON CONTACT TAILS IN INDICATED AREA.
- 3. MATERIALS:
 OUTER & INNER CONTACTS- BERYLLIUM COPPER PER ASTM-B-196
 FRONT INSULATOR & SPACER INSULATOR- TFE RESIN PER AMS 3651
- 2. FINISH:
 GOLD PLATED PER MIL-G-45204 TYPE II, GRADE C, CLASS I (.000050 MIN)
 OVER NICKEL PLATE PER QQ-N-290 (.000050 MIN).
- 1. CONTACTS MEET THE ENVELOPE DIMENSIONAL REQUIREMENTS OF M39029/91.

NOTES:

THE USE OF THIS DOCUMENT IS UNLIMITED. HOWEVER, DOCUMENTS REFERENCED HEREON MAY CONTAIN LIMITED RIGHTS DATA.

RELEASED / May . 17 2010, 10:09:18 AM

DOCUMENT NO. 21-033453-041 SHEET 1 OF 1 REV. A

10-628485-724X NEXT ASSEMBLY

PRO/ENGINEER INFORMATION
 Pro/e Model Used:
 21-033453-041.ASSEM
 Drawing Name:
 21-033453-041

UNLESS OTHERWISE SPECIFIED	SPECIFICATIONS
LINEAR DIMENSIONS ARE IN INCHES TOLERANCES: .XXXX = ±.0005 ANGLES= ±2° .XXX = ±.010 .XX = ±.03 .X = ±.1	MATERIAL SPEC. N/A
DIM. & TOL. PER ASME Y14.5M; DRM PER MIL-DTL-31000; OTHER Amphenol Stds. PER 9-3800	PROCESS SPEC. N/A
LEGENDS: = FLAG NOTE CALL OUT REFERENCE ONLY	

I	I	21-033453-041M	QUADRAX PCB SOCKET CONTACT	
POS	QTY	PART NUMBER	DESCRIPTION	NOTE
PARTS LIST				
AMPHENOL CORPORATION 40-60 DELAWARE AVENUE SIDNEY, N.Y. 13858				
CONTACT, SOCKET, QUADRAX, ELECTRICAL CONNECTOR, 150 OHM, TYPE M38999 I & III, PCB				
SIZE C	CAGE CODE 77820	DOCUMENT NO. 21-033453-041	REV. A	
SCALE: 8.0	REF. 21-033453-011	SHEET 1 OF 1		

21-033453-041

SHEET 1 OF 1

REV. A

C

B

A

21-033453-041