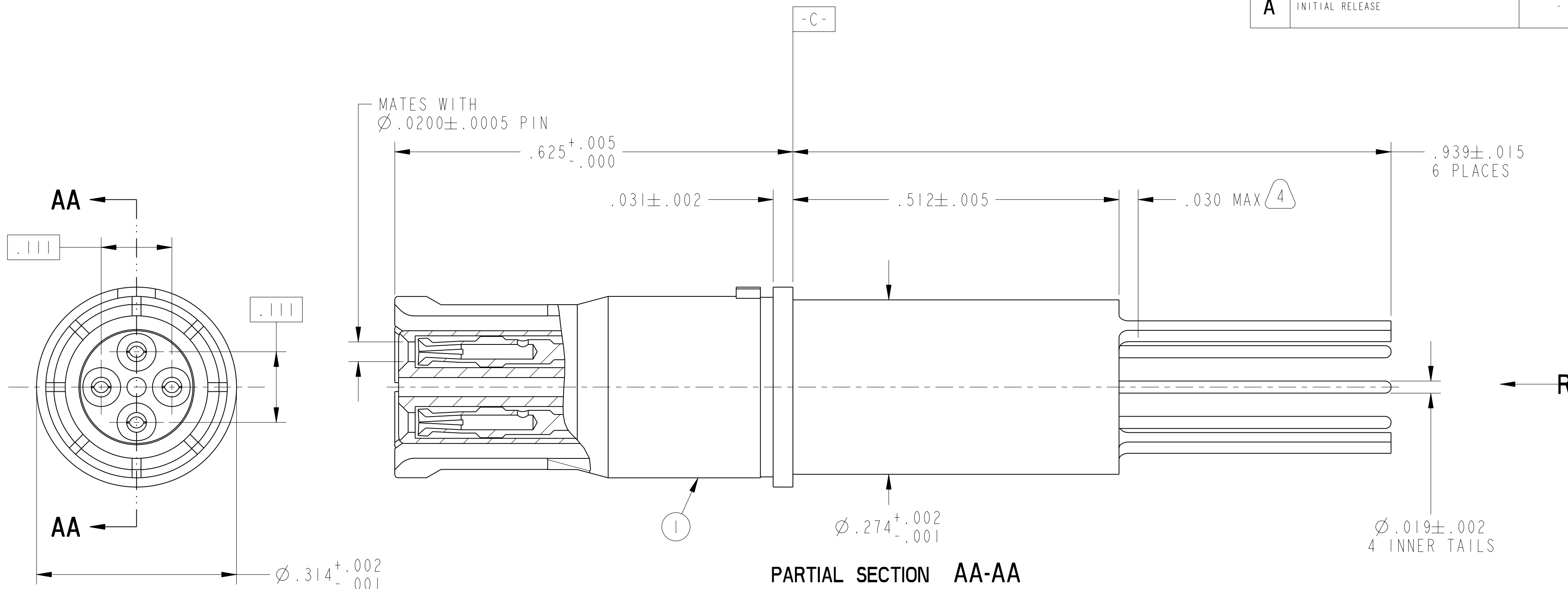
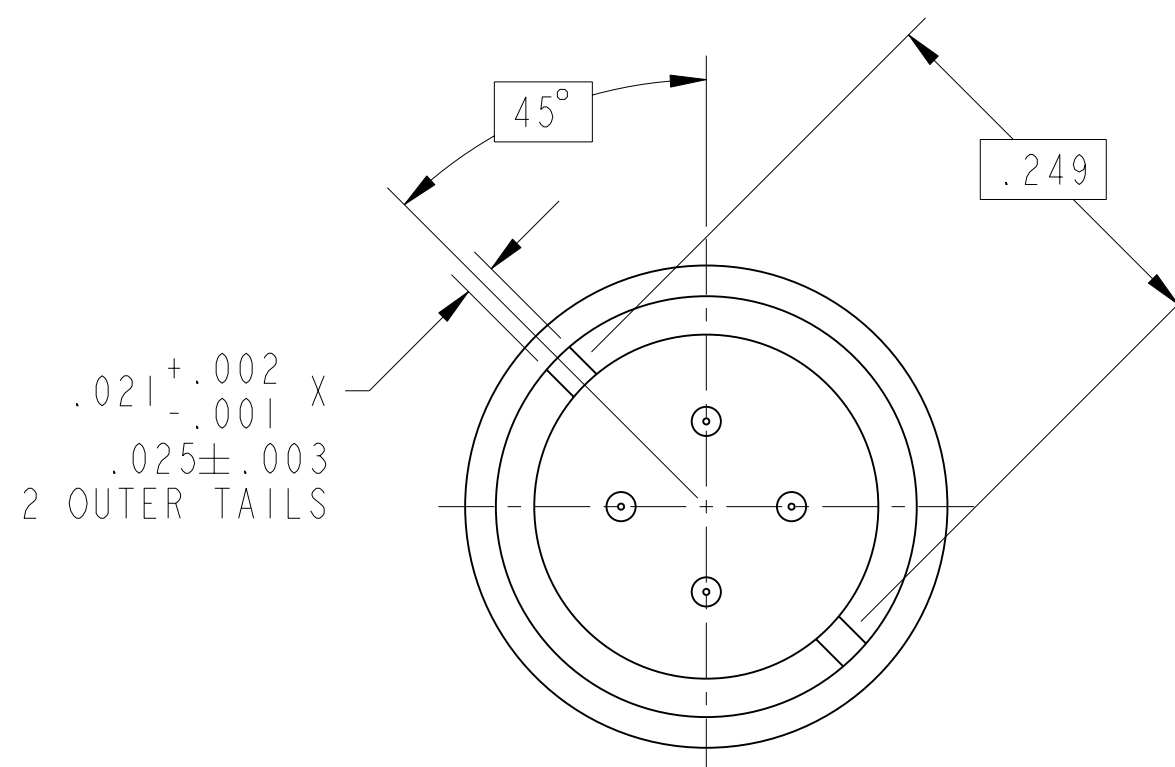


REV. A	SHEET 1 OF 1	DOCUMENT NO. 21-033453-071
REVISIONS		
LTR	DESCRIPTION	DATE
A	INITIAL RELEASE	-



PARTIAL SECTION AA-AA



VIEW AT R

6. ALL DIMENSIONS ARE AFTER PLATING.
5. MATES WITH M38999 QUADRAX PINS 21-033450-().
4. EPOXY MAY BE PRESENT ON CONTACT TAILS IN INDICATED AREA.
3. MATERIALS:
OUTER & INNER CONTACTS- BERYLLIUM COPPER PER ASTM-B-196
FRONT INSULATOR & SPACER INSULATOR- TFE RESIN PER AMS 3651
2. FINISH:
GOLD PLATED PER MIL-G-45204 TYPE II, GRADE C, CLASS I (.000050 MIN)
OVER NICKEL PLATE PER QQ-N-290 (.000050 MIN).
1. CONTACTS MEET THE ENVELOPE DIMENSIONAL REQUIREMENTS OF M39029/91.

NOTES:

THE USE OF THIS DOCUMENT IS UNLIMITED. HOWEVER, DOCUMENTS REFERENCED HEREON MAY CONTAIN LIMITED RIGHTS DATA.

RELEASED / Oct. 01 2013, 2:51:51 PM

DOCUMENT NO. 21-033453-071 SHEET 1 OF 1 REV. A

N/A

NEXT ASSEMBLY

PRO/ENGINEER INFORMATION

Pro/e Model Used:
21-033453-071.ASSEM

Drawing Name:
21-033453-071

UNLESS OTHERWISE SPECIFIED	SPECIFICATIONS
LINEAR DIMENSIONS ARE IN INCHES TOLERANCES: .XXXX = ±.0005 ANGLES= ±2° .XXX = ±.010 .XX = ±.03 .X = ±.1	MATERIAL SPEC. N/A
DIM. & TOL. PER ASME Y14.5M; DRM PER MIL-DTL-31000; OTHER Amphenol Stds. PER 9-3800	PROCESS SPEC. N/A
LEGENDS: = FLAG NOTE CALL OUT REFERENCE ONLY	

POS	QTY	21-033453-071M	QUADRAX PCB SOCKET CONTACT	NOTE
PARTS LIST				
AMPHENOL CORPORATION 40-60 DELAWARE AVENUE SIDNEY, N.Y. 13858				
CONTACT, SOCKET, QUADRAX, ELECTRICAL CONNECTOR, 150 OHM, TYPE M38999 I & III, PCB				
SIZE	CAGE CODE	DOCUMENT NO.	REV.	
C	77820	21-033453-071	A	
SCALE: 8.0	REF. 21-033453-041	SHEET 1 OF 1		