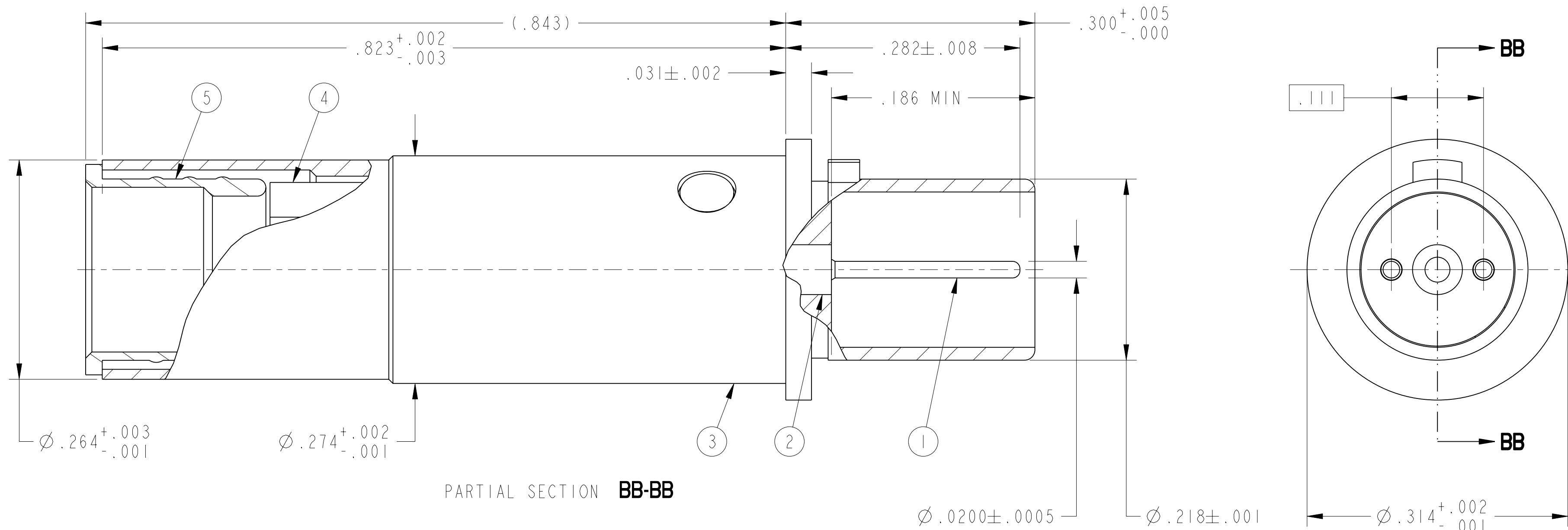


REV. A	SHEET 1 OF 1	DOCUMENT NO. 21-033456-001
REVISIONS		
LTR	DESCRIPTION	DATE
A	INITIAL RELEASE	---



PARTIAL SECTION BB-BB

7. MATES WITH M38999 DIFFERENTIAL TWINAX SOCKETS 21-033457-().
6. CRIMPING TOOLS:
 OUTER CONTACT- M22520/5-01 TOOL, M22520/5-45 DIE SET (HEX CLOSURE A)
 INNER CONTACTS- M22520/2-01 TOOL, DANIELS K709 (M22520/2-37) POSITIONER
5. TERMINATES TWINAX CABLE TENSOLITE 26483/03071X-2(LD) (150 OHM) OR EQUIVALENT.
4. DRAWING ILLUSTRATES FINAL ASSEMBLY. CONTACT COMPONENTS ARE SHIPPED UNASSEMBLED. INSTALLATION INSTRUCTIONS & PIGGYBACK GROMMET SEAL (NOT ILLUSTRATED) ARE PACKAGED WITH EACH ASSEMBLY. PACKAGE PER PRODUCTION PROCESS SHEET.
3. MATERIALS:
 OUTER & INNER CONTACTS- BERYLLIUM COPPER PER ASTM-B-196
 SHIELD FERRULE- BRASS PER ASTM B453 OR QQ-B-626
 FRONT INSULATOR & SPACER INSULATOR- TFE RESIN PER AMS 3651
2. FINISH:
 GOLD PLATED PER MIL-G-45204 TYPE II, GRADE C, CLASS I (.000050 MIN)
 OVER NICKEL PLATE PER QQ-N-290 (.000050 MIN).
1. CONTACTS MEET THE ENVELOPE DIMENSIONAL REQUIREMENTS OF M39029/90.

NOTES:

THE USE OF THIS DOCUMENT IS UNLIMITED. HOWEVER, DOCUMENTS REFERENCED HEREON MAY CONTAIN LIMITED RIGHTS DATA.

N/A
NEXT ASSEMBLY

PRO/ENGINEER INFORMATION
 Pro/e Model Used:
 21-033456-001.ASSEM
 Drawing Name:
 21-033456-001

UNLESS OTHERWISE SPECIFIED
 LINEAR DIMENSIONS ARE IN INCHES
 TOLERANCES:
 .XXXX = ±.0005 ANGLES= ±2°
 .XXX = ±.010
 .XX = ±.03
 .X = ±.1
 DIM. & TOL. PER ASME Y14.5M;
 DRM PER MIL-DTL-31000;
 OTHER Amphenol Stds. PER 9-3800
 LEGENDS:
 =FLAG NOTE CALL OUT REFERENCE ONLY

SPECIFICATIONS
 MATERIAL SPEC.
 N/A
 PROCESS SPEC.
 N/A

POS	QTY	PART NUMBER	DESCRIPTION	NOTE
7	1	L-2119-BX	INSTALLATION INSTRUCTIONS	4
6	1	21-033321-030	PIGGYBACK GROMMET SEAL	4
5	1	21-033384-106	SHIELD FERRULE	
4	1	21-033382-005 OR 21-033382-025	SPACER INSULATOR	
3	1	21-033384-044	OUTER CONTACT	
2	1	21-033387-033	FRONT INSULATOR	
1	2	21-033450-002	INNER CONTACT	

APPROVALS
 PREPARED BY: D. PHILLIPS
 ENGINEER IN CHARGE: L. RATCHFORD
 DESIGN MANAGER: H. JOHNSON
 DESIGN ACTIVITY GROUP: MIL-AERO DEVELOP
 DATE: 22-Jun-12
 THIRD ANGLE PROJECTION

PARTS LIST
AMPHENOL CORPORATION
 40-60 DELAWARE AVENUE
 SIDNEY, N.Y. 13858
**CONTACT, PIN,
 DIFFERENTIAL TWINAX,
 TYPE M38999 I & III**

SIZE: C
 CAGE CODE: 77820
 DOCUMENT NO.: 21-033456-001
 REV. A
 SCALE: 10:0
 REF: 21-33387-31
 SHEET 1 OF 1

DOCUMENT NO. 21-033456-001
 SHEET 1 OF 1
 REV. A
 C
 B
 A

DOCUMENT NO. 21-033456-001
 SHEET 1 OF 1
 REV. A
 C
 B
 A