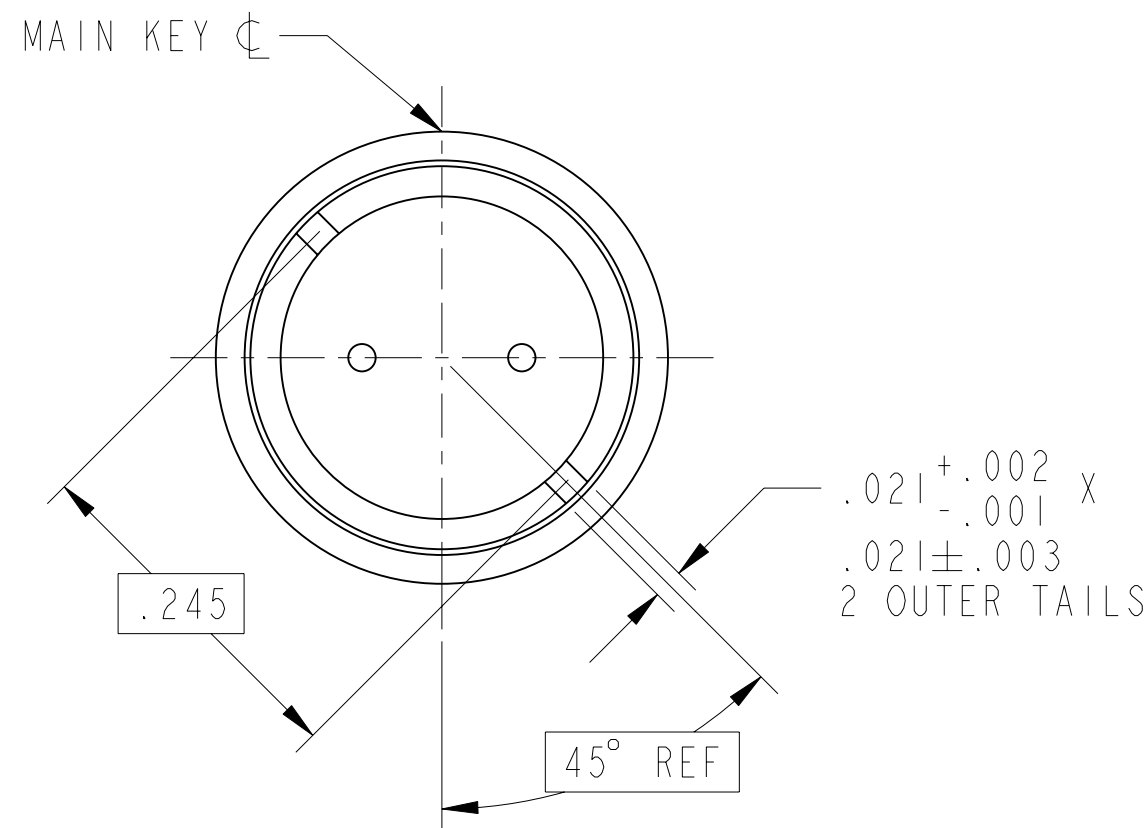
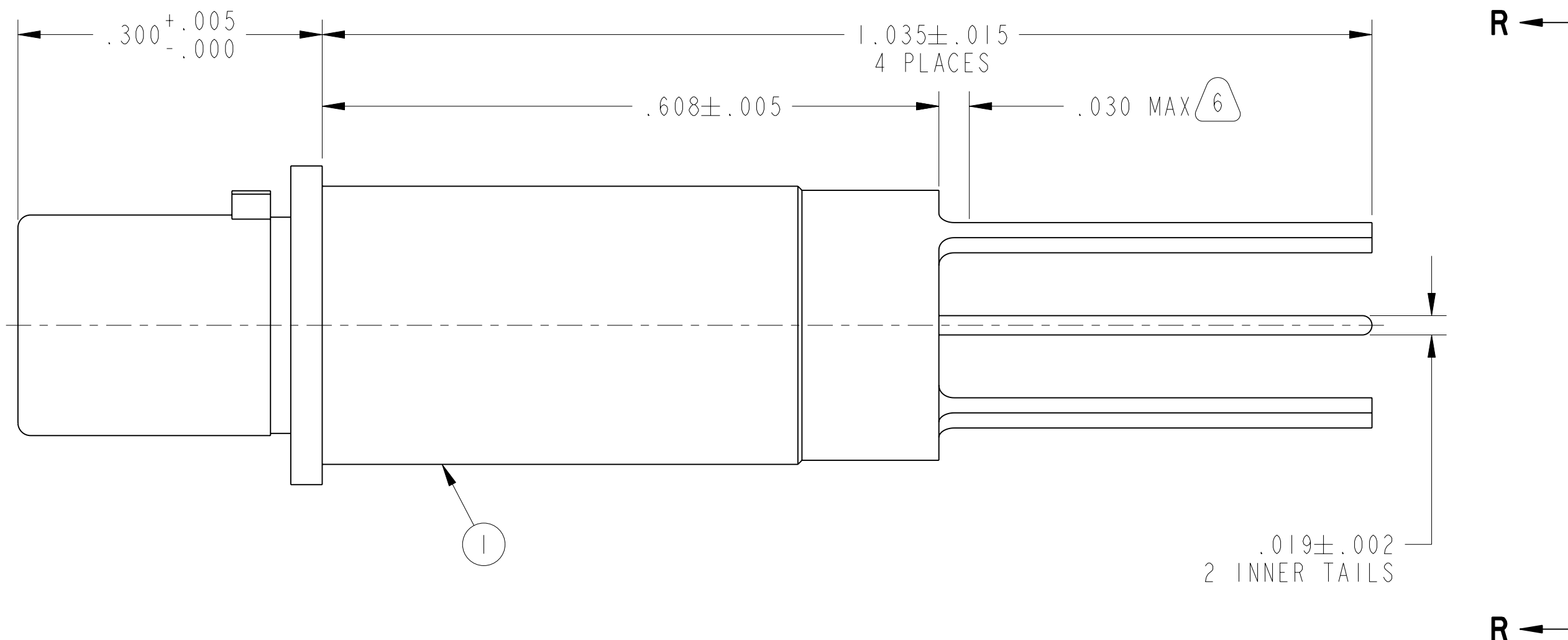
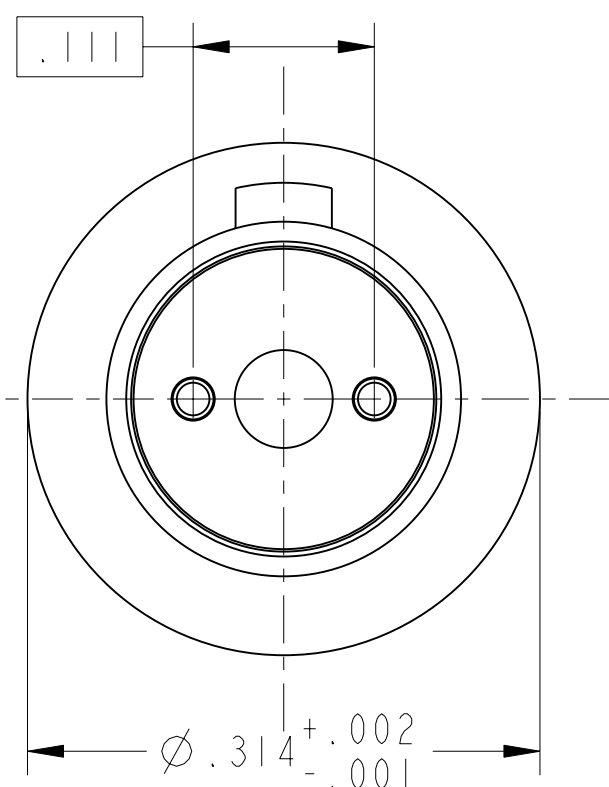


REV. A	SHEET 1 OF 1	DOCUMENT NO. 21-033458-001
REVISIONS		
LTR	DESCRIPTION	DATE
A	INITIAL RELEASE	-



VIEW AT R-R  
SCALE 7.500



- CONTACTS MEET THE ENVELOPE DIMENSIONAL REQUIREMENTS OF M39029/90.
- FINISH:  
GOLD PLATED PER MIL-G-45204 TYPE II, GRADE C, CLASS I (.000050 MIN)  
OVER NICKEL PLATE PER QQ-N-290 (.000050 MIN).
- MATERIALS:  
OUTER & INNER CONTACTS- BERYLLIUM COPPER PER ASTM-B-196  
FRONT INSULATOR & SPACER INSULATOR- TFE RESIN PER AMS 3651
- MATES WITH M38999 DIFFERENTIAL TWINAX SOCKET 21-033457-001 & OTHERS.
- ALL DIMENSIONS ARE AFTER PLATING.
- EPOXY MAY BE PRESENT ON CONTACT TAILS IN INDICATED AREA.

NOTES:

THE USE OF THIS DOCUMENT IS UNLIMITED.  
HOWEVER, DOCUMENTS REFERENCED HEREON  
MAY CONTAIN LIMITED RIGHTS DATA.

UNLESS OTHERWISE SPECIFIED		SPECIFICATIONS		PARTS LIST	
POS	QTY	PART NUMBER	DESCRIPTION	NOTE	
I	I	21-033458-001M	CONTACT, PIN, D. TWINAX, PCB		
LINEAR DIMENSIONS ARE IN INCHES TOLERANCES: .XXXX = $\pm$ .0005 ANGLES = $\pm$ 2° .XXX = $\pm$ .010 .XX = $\pm$ .03 .X = $\pm$ .1		MATERIAL SPEC. N/A		APPROVALS	
DIM. & TOL. PER ASME Y14.5M; DRM PER MIL-DTL-31000; OTHER Amphenol Stds. PER 9-3800		PROCESS SPEC. N/A		DATE 14-Aug-09	
LEGENDS: $\triangle$ = FLAG NOTE CALL OUT REFERENCE ONLY		THIRD ANGLE PROJECTION		AMPHENOL CORPORATION 40-60 DELAWARE AVENUE SIDNEY, N.Y. 13856	
				CONTACT, PIN, D. TWINAX, ELECTRICAL CONNECTOR, TYPE M38999 I & III, PCB	
		SIZE C	CAGE CODE 77820	DOCUMENT NO. 21-033458-001	REV. A
		SCALE: 8.5		REF. 21-033452-051	SHEET 1 OF 1

PRO/ENGINEER INFORMATION  
Pro/e Model Used:  
21-033458-001.ASSEM  
Drawing Name:  
21-033458-001

N/A  
NEXT ASSEMBLY

RELEASED / Sep. 18 2009, 9:08:58 AM

DOCUMENT NO.  
21-033458-001

SHEET 1 OF 1

REV.  
A