

REV. A	SHEET 1 OF 1	DOCUMENT NO. 21-033466-021
REVISIONS		
LTR	DESCRIPTION	DATE
A	INITIAL RELEASE	-

21-033466-021

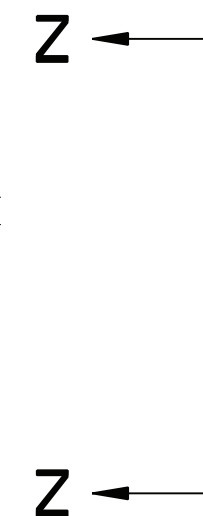
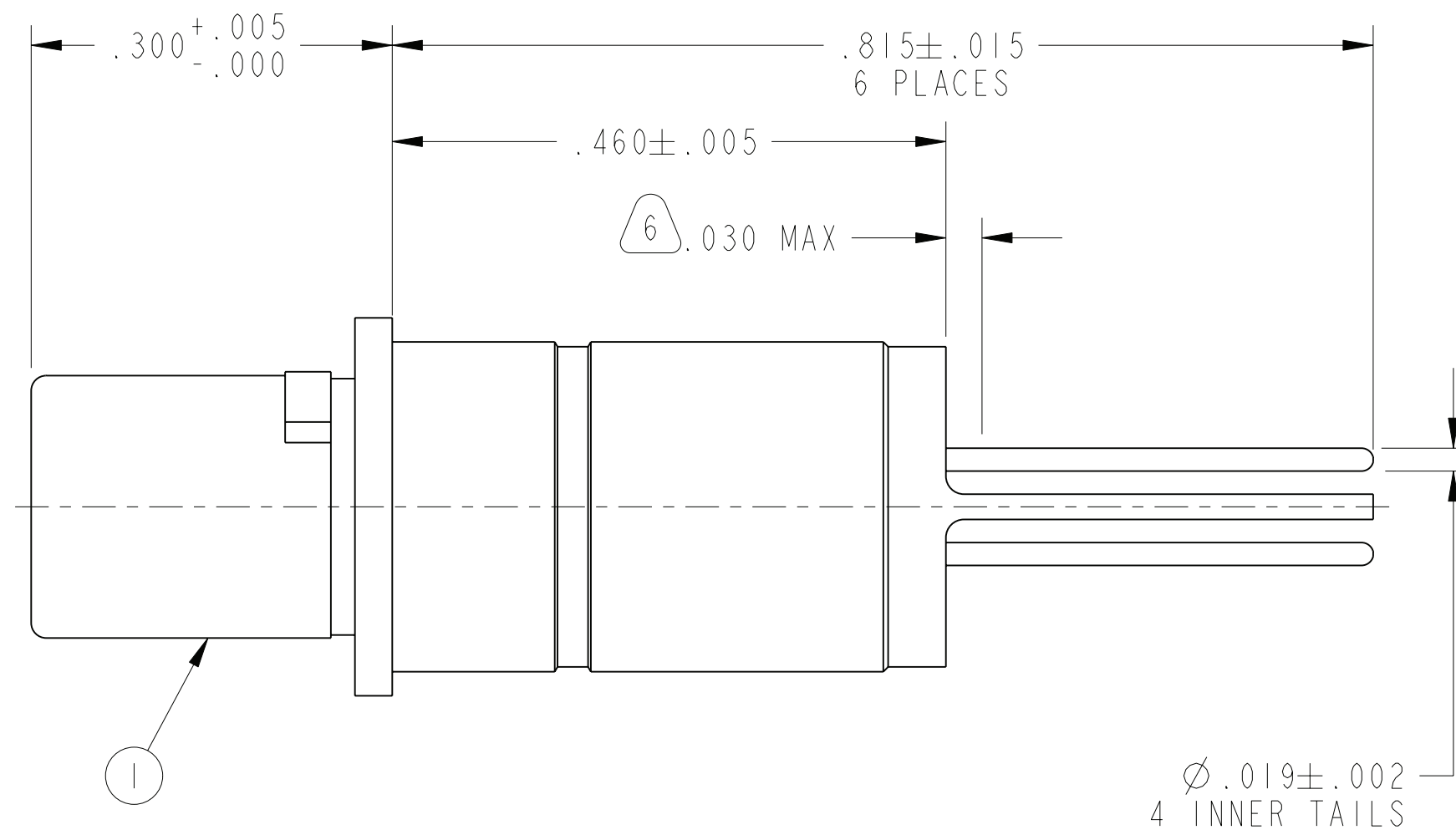
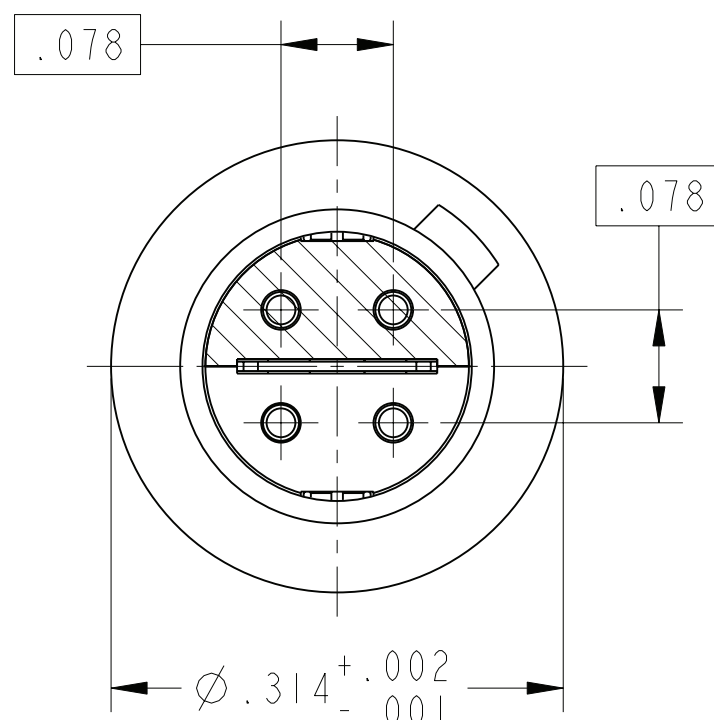
SHEET 1 OF 1

REV. A

C

B

A



- 8. DIFFERENTIAL PAIRS:
PAIR #1: P1-P4 (T1-T4)
PAIR #2: P2-P3 (T2-T3)
- 7. INTERNAL ELECTRICAL CONNECTIONS:
P1-T1, P2-T2, P3-T3, P4-T4
- 6. EPOXY MAY BE PRESENT ON CONTACT TAILS IN INDICATED AREA.
- 5. ALL DIMENSIONS ARE AFTER PLATING
- 4. MATES WITH M38999 QUADRAX SOCKETS 21-033471-() & OTHERS.
- 3. MATERIALS:
OUTER & INNER CONTACTS- BERYLLIUM COPPER PER ASTM-B-196
INSULATORS & RETAINER- POLYETHERIMIDE
- 2. FINISH:
GOLD PLATED PER ASTM B488, TYPE II, CODE C, CLASS 1.27 (.000050 MIN)
OVER NICKEL PLATE PER AMS-QQ-N-290 (.000050 MIN).
- 1. CONTACTS MEET THE APPLICABLE ENVELOPE DIMENSIONAL REQUIREMENTS OF M39029/90.

NOTES:

THE USE OF THIS DOCUMENT IS UNLIMITED. HOWEVER, DOCUMENTS REFERENCED HEREON MAY CONTAIN LIMITED RIGHTS DATA.

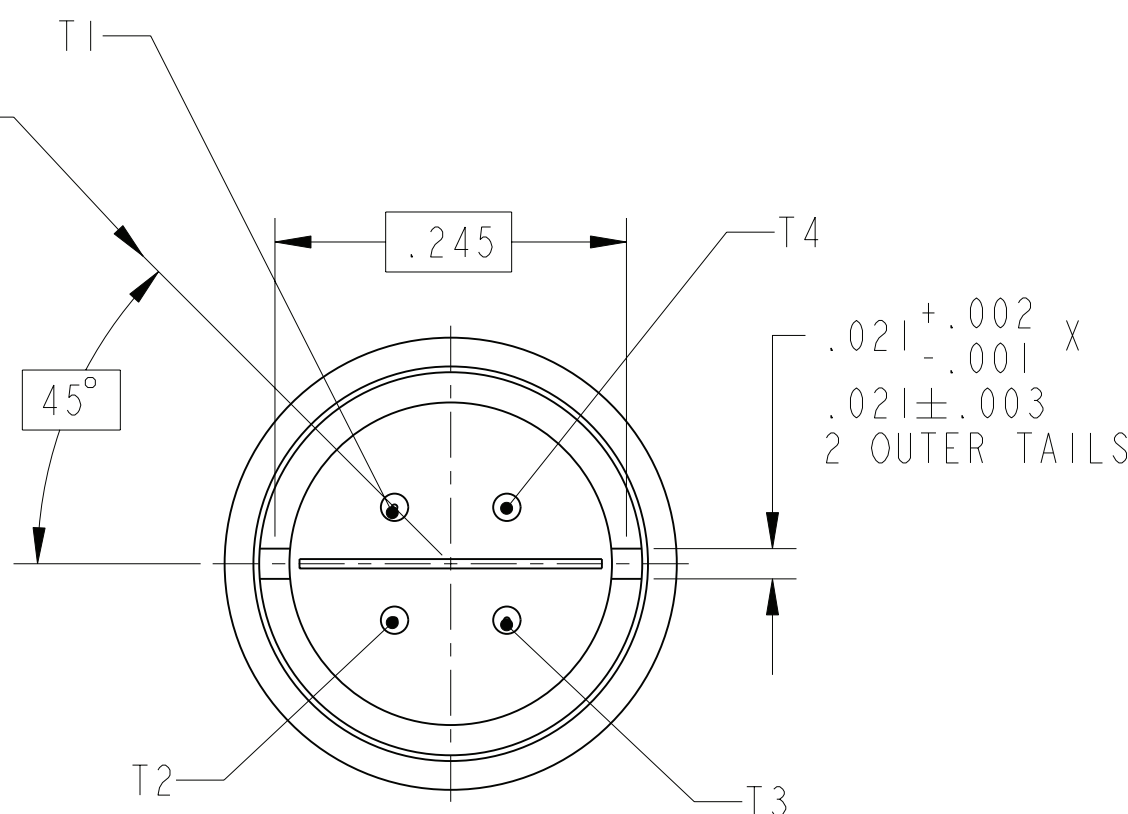
RELEASED / Nov. 17 2011, 2:36:35 PM

21-033466-021

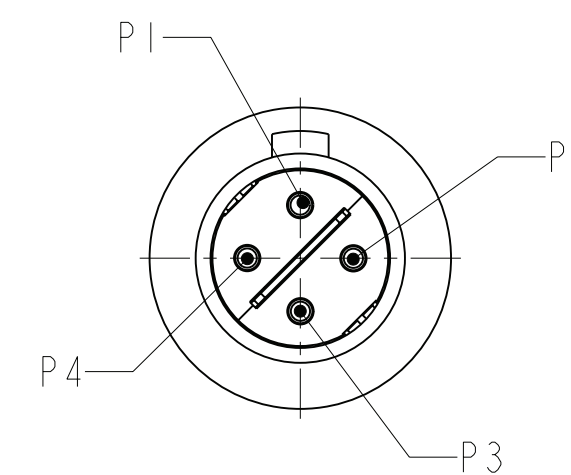
SHEET 1 OF 1

REV. A

ORIENTATION KEY



VIEW AT Z-Z
SCALE 7.500



MATING FACE VIEW
SCALE 5.000

UNLESS OTHERWISE SPECIFIED		SPECIFICATIONS		POS	QTY	21-033466-021M	CONTACT ASSEMBLY	NOTE
LINEAR DIMENSIONS ARE IN INCHES TOLERANCES: .XXXX = ±.0005 ANGLES= ±2° .XXX = ±.010 .XX = ±.03 .X = ±.1		MATERIAL SPEC. N/A		APPROVALS		PARTS LIST		
DIM. & TOL. PER ASME Y14.5M; DRM PER MIL-DTL-31000; OTHER Amphenol Stds. PER 9-3800		PROCESS SPEC. SEE NOTE 5		PREPARED BY J. BORDEAU	DATE 03-Nov-11	AMPHENOL CORPORATION 40-60 DELAWARE AVENUE SIDNEY, N.Y. 13858		
LEGENDS: =FLAG NOTE CALL OUT REFERENCE ONLY		THIRD ANGLE PROJECTION		DESIGN MANAGER E. HICKEY		CONTACT, PIN, QUADRAX, SPLIT PAIR ELECTRICAL CONNECTOR, TYPE D38999 I & III, PCB		
				DESIGN ACTIVITY GROUP CI		SIZE C	CAGE CODE 77820	DOCUMENT NO. 21-033466-021
						SCALE: 7.5	REF. 21-033466-071	SHEET 1 OF 1

PRO/ENGINEER INFORMATION
Pro/e Model Used:
21-033466-021.ASSEM
Drawing Name:
21-033466-021

N/A
NEXT ASSEMBLY

VERSION 3

REVISION A

Eng. PDM Information For Reference Only

REV. A

SHEET 1 OF 1

21-033466-021

REV. A