

REV. A	SHEET 1 OF 1	DOCUMENT NO. 21-033466-071
REVISIONS		
LTR	DESCRIPTION	DATE
A	PRELIMINARY DESIGN	-

21-033466-071

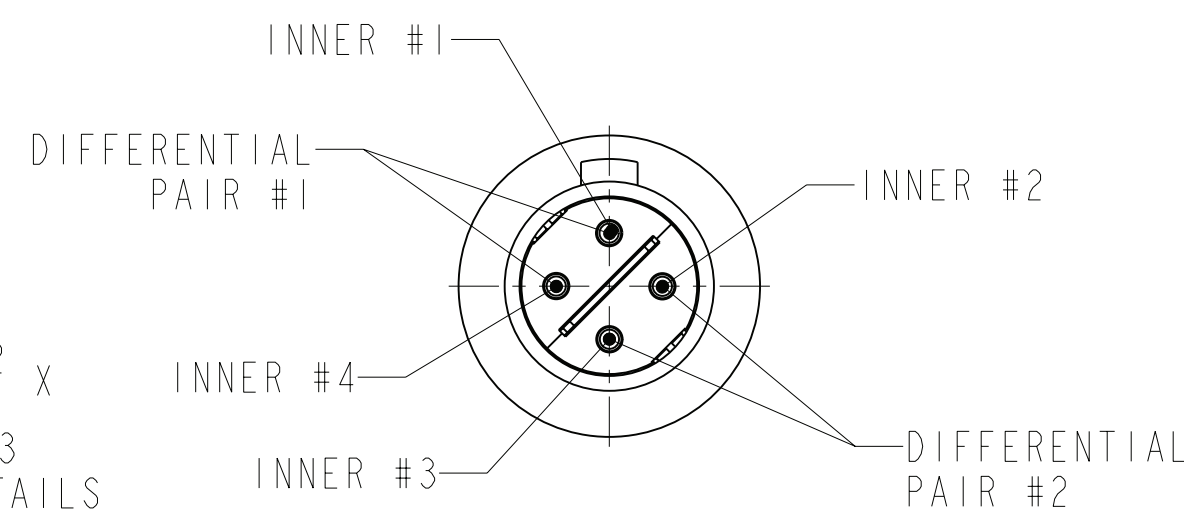
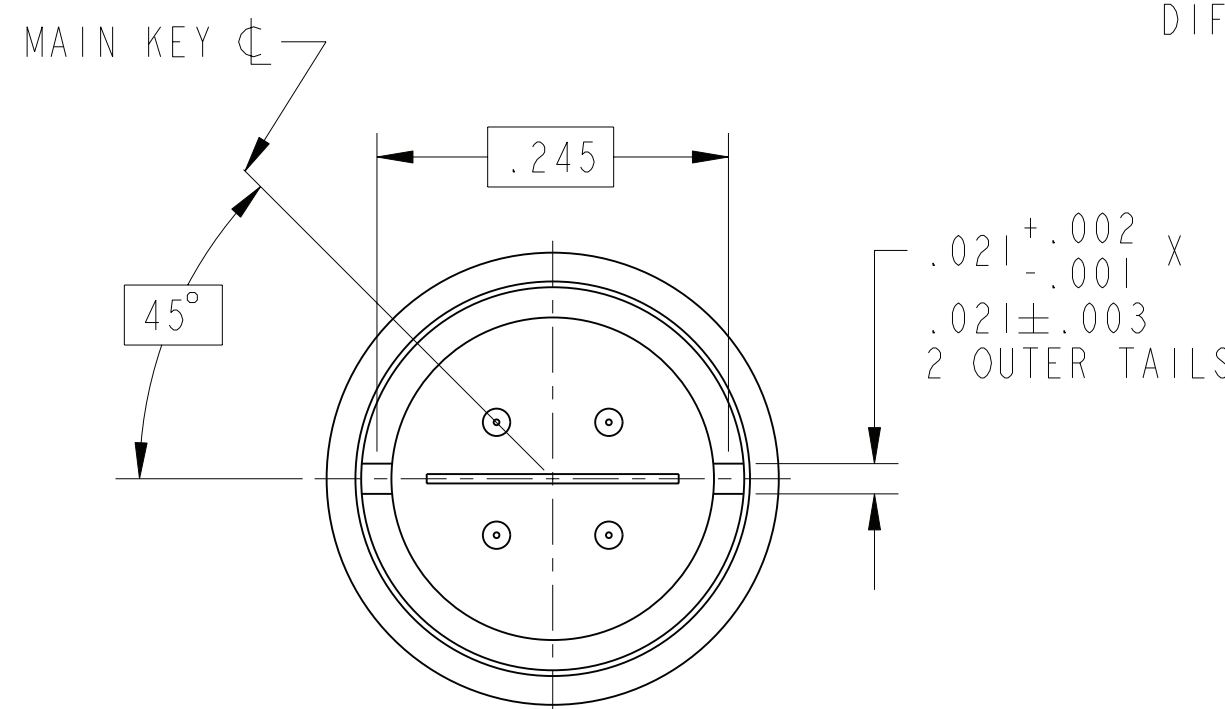
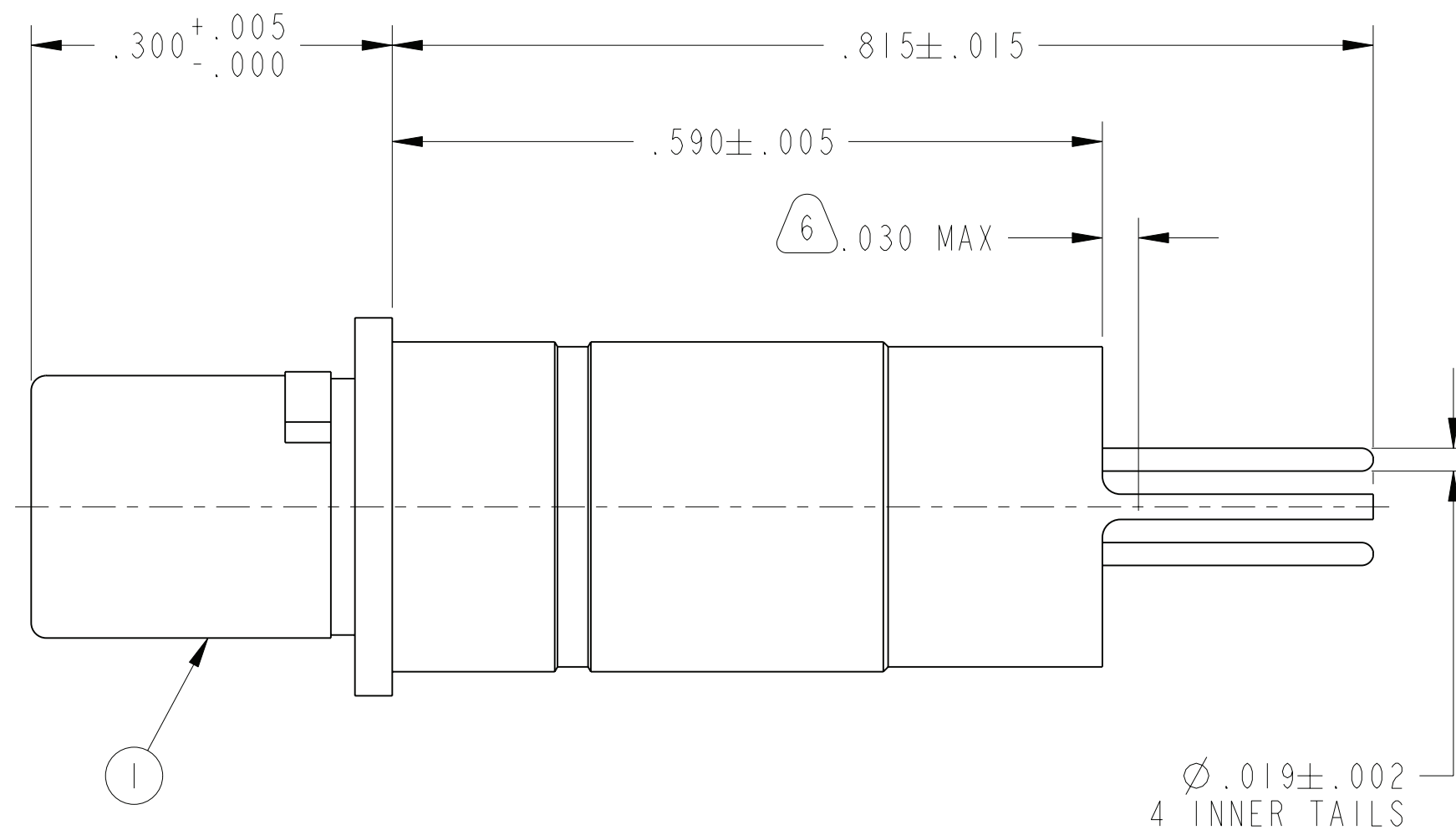
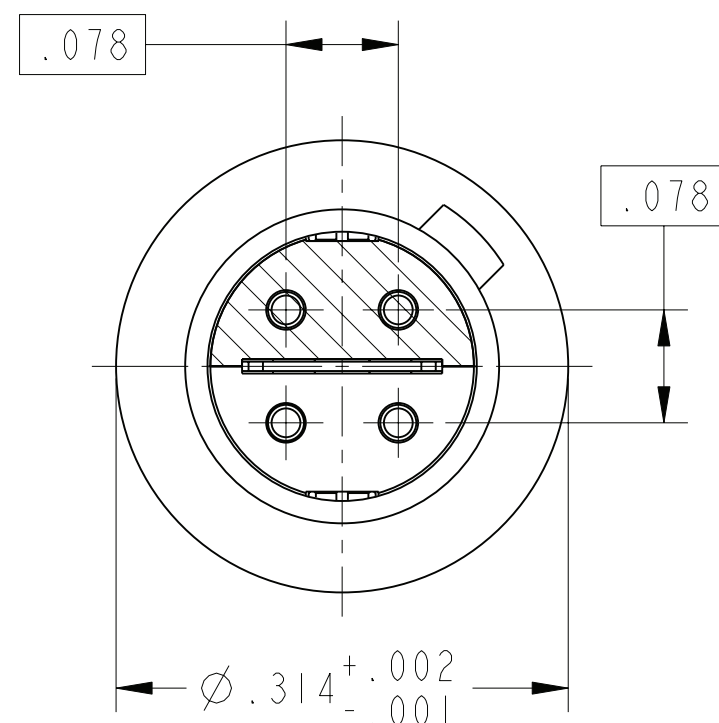
SHEET 1 OF 1

REV. A

C

B

A



MATING FACE VIEW
SCALE 5.000

- 6. EPOXY MAY BE PRESENT ON CONTACT TAILS IN INDICATED AREA.
- 5. ALL DIMENSIONS ARE AFTER PLATING
- 4. MATES WITH M38999 QUADRAX SOCKETS 21-033471-() & OTHERS.
- 3. MATERIALS:
OUTER & INNER CONTACTS- BERYLLIUM COPPER PER ASTM-B-196
INSULATORS & RETAINER- POLYETHERIMIDE
- 2. FINISH:
GOLD PLATED PER ASTM B488, TYPE II, CODE C, CLASS 1.27 (.000050 MIN)
OVER NICKEL PLATE PER AMS-QQ-N-290 (.000050 MIN).
- 1. CONTACTS MEET THE ENVELOPE DIMENSIONAL REQUIREMENTS OF M39029/90.

NOTES:

THE USE OF THIS DOCUMENT IS UNLIMITED. HOWEVER, DOCUMENTS REFERENCED HEREON MAY CONTAIN LIMITED RIGHTS DATA.

RELEASED / Apr . 20 2011, 11:24:19 AM
DOCUMENT NO. 21-033466-071 SHEET 1 OF 1 REV. A

N/A
NEXT ASSEMBLY

PRO/ENGINEER INFORMATION
Pro/e Model Used:
21-033466-071.ASSEM
Drawing Name:
21-033466-071

UNLESS OTHERWISE SPECIFIED	SPECIFICATIONS
LINEAR DIMENSIONS ARE IN INCHES TOLERANCES: .XXXX = ±.0005 ANGLES= ±2° .XXX = ±.010 .XX = ±.03 .X = ±.1	MATERIAL SPEC. N/A
DIM. & TOL. PER ASME Y14.5M; DRM PER MIL-DTL-31000; OTHER Amphenol Stds. PER 9-3800	PROCESS SPEC. SEE NOTE 5
LEGENDS: =FLAG NOTE CALL OUT REFERENCE ONLY	

POS	QTY	21-033466-071M	CONTACT ASSEMBLY	NOTE
PARTS LIST				
AMPHENOL CORPORATION 40-60 DELAWARE AVENUE SIDNEY, N.Y. 13858				
CONTACT, PIN, QUADRAX, ELECTRICAL CONNECTOR, TYPE D38999 I & III, 10G DESIGN, PCB				
SIZE C	CAGE CODE 77820	DOCUMENT NO. 21-033466-071	REV. A	
SCALE: 7.5	REF. 21-033466-041	SHEET 1 OF 1		

VERSION I

REVISION A

RELEASE STATE Released

REV. A

SHEET 1 OF 1

21-033466-071