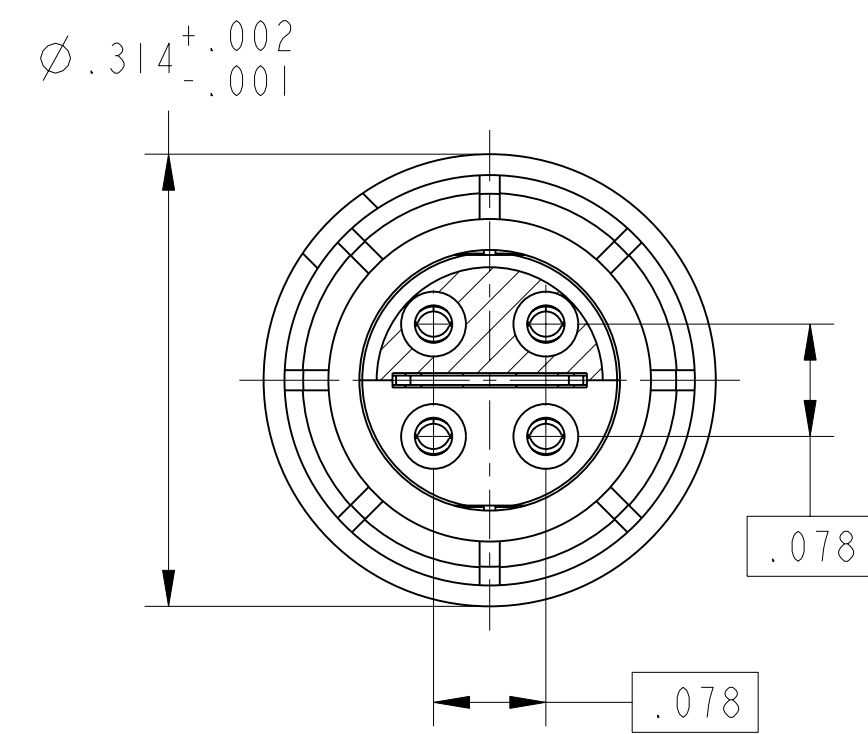
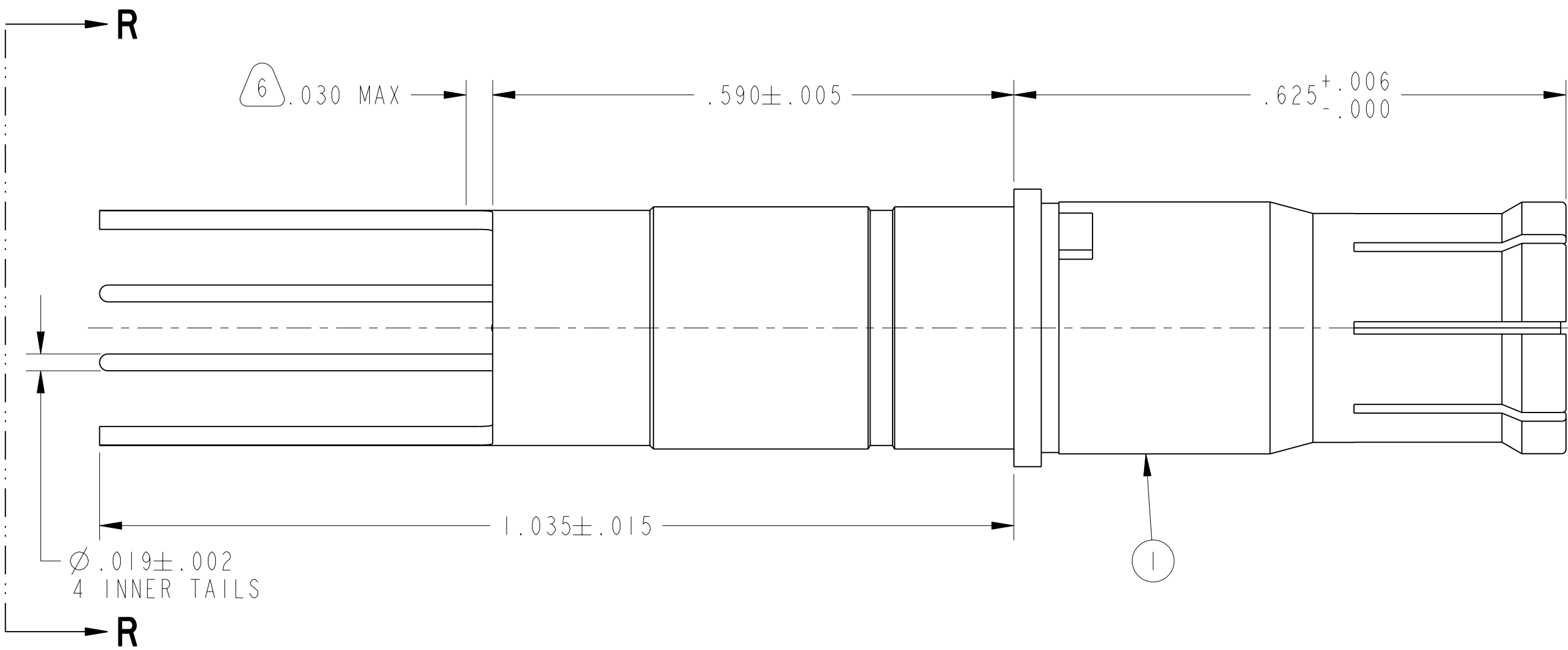


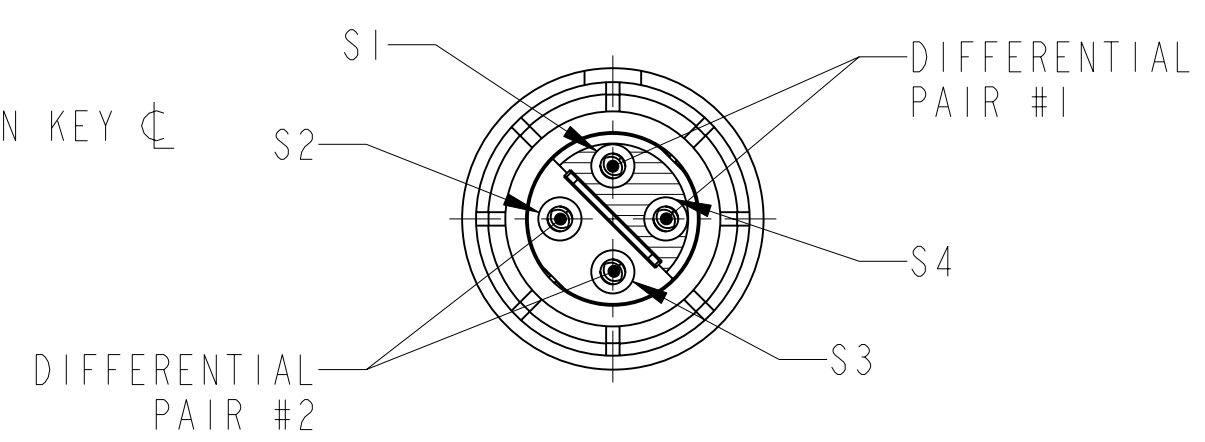
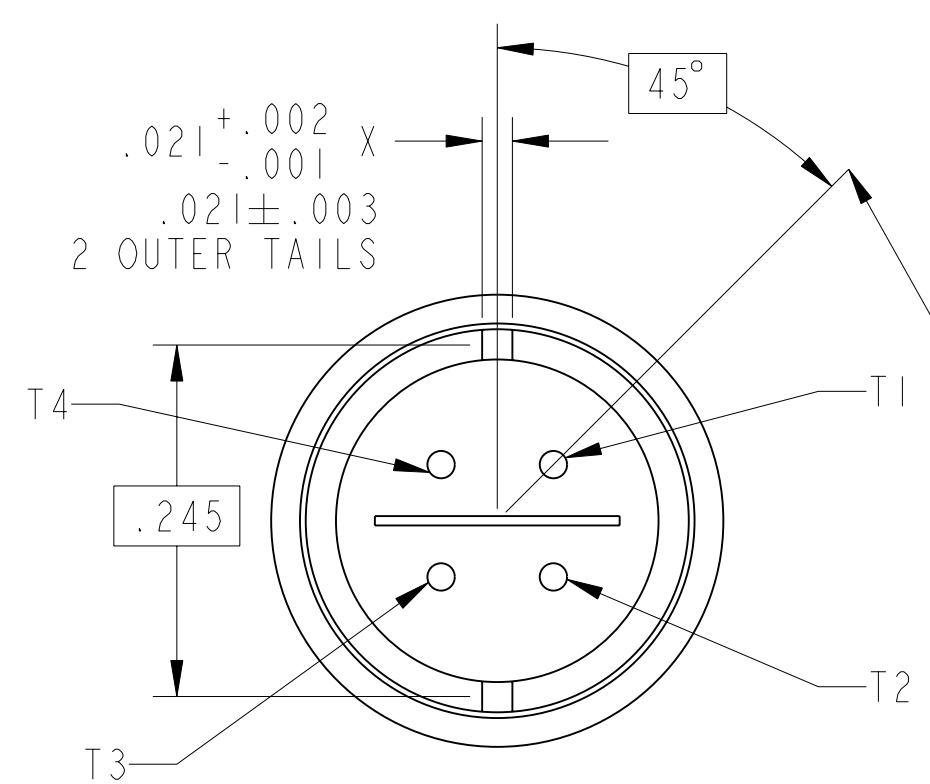
REV. A	SHEET 1 OF 1	DOCUMENT NO. 21-033467-011
REVISIONS M		
LTR	DESCRIPTION	DATE
A	INITIAL RELEASE	-

21-033467-011
DOCUMENT NO.
SHEET 1 OF 1
REV. A



- DIFFERENTIAL PAIRS:
PAIR #1: S1-S4 (T1-T4)
PAIR #2: S2-S3 (T2-T3)
- INTERNAL ELECTRICAL CONNECTIONS:
S1-T1, S2-T2, S3-T3, S4-T4
- FOR LEAK CHECKED CONTACT ASSEMBLIES, ADD LAST CHARACTER SUFFIX TO PART NUMBER:

DESCRIPTION	SUFFIX	TEST
NOT CHECKED	<NONE>	<NONE>
10 ⁻³ CC/SEC He	-XXXZ	9-5266-111
15 PSI	-XXXV	9-5266-110
10 PSI	-XXXW	9-5266-110, EXCEPT 10PSI
5 PSI	-XXXU	9-5266-110, EXCEPT 5 PSI
- EPOXY MAY BE PRESENT ON CONTACT TAILS IN INDICATED AREA.
- MATES WITH D38999 QUADRAX PINS 21-033470-().
- ALL DIMENSIONS ARE AFTER PLATING
- MATERIALS:
OUTER & INNER CONTACTS- BERYLLIUM COPPER PER ASTM-B-196
SHIELD FERRULE- BRASS PER ASTM B453 OR QQ-B-626
INSULATORS & RETAINERS- POLYETHERIMIDE
- FINISH:
GOLD PLATED IN ACCORDANCE WITH SAE AS39029
OVER NICKEL PLATE PER AMS-QQ-N-290 (.000050 MIN).
- CONTACTS MEET THE ENVELOPE DIMENSIONAL REQUIREMENTS OF M39029/91.



MATING FACE VIEW
SCALE 5.000

VIEW AT R-R
SCALE 7.500

NOTES:
THE USE OF THIS DOCUMENT IS UNLIMITED. HOWEVER, DOCUMENTS REFERENCED HEREON MAY CONTAIN LIMITED RIGHTS DATA.

RELEASED / Jan . 13 2014, 9:24:07 AM

DOCUMENT NO. 21-033467-011 SHEET 1 OF 1 REV. A

N/A	PRO/ENGINEER INFORMATION Pro/e Model Used: 21-033467-011.ASSEM Drawing Name: 21-033467-011
N/A	NEXT ASSEMBLY

UNLESS OTHERWISE SPECIFIED	SPECIFICATIONS
LINEAR DIMENSIONS ARE IN INCHES TOLERANCES: .XXXX = ±.0005 ANGLES= ±2° .XXX = ±.010 .XX = ±.03 .X = ±.1	MATERIAL SPEC. N/A
DIM. & TOL. PER ASME Y14.5M; DRM PER MIL-DTL-31000; OTHER Amphenol Stds. PER 9-3800	PROCESS SPEC. N/A
LEGENDS: = FLAG NOTE CALL OUT REFERENCE ONLY	

I	I	21-033467-011M	CONTACT ASSEMBLY
POS	QTY	PART NUMBER	DESCRIPTION
PARTS LIST			
AMPHENOL CORPORATION 40-60 DELAWARE AVENUE SIDNEY, N.Y. 13858			
CONTACT, SOCKET, QUADRAX, ELECTRICAL CONNECTOR, TYPE D38999 I & III, PCB, SPLIT-PAIR			
SIZE C	CAGE CODE 77820	DOCUMENT NO. 21-033467-011	REV. A
SCALE: 7.5	REF. 21-033467-111	SHEET 1 OF 1	

FORMAT: C-U-E-I

REVISION A
SHEET 1 OF 1
DOCUMENT NO. 21-033467-011