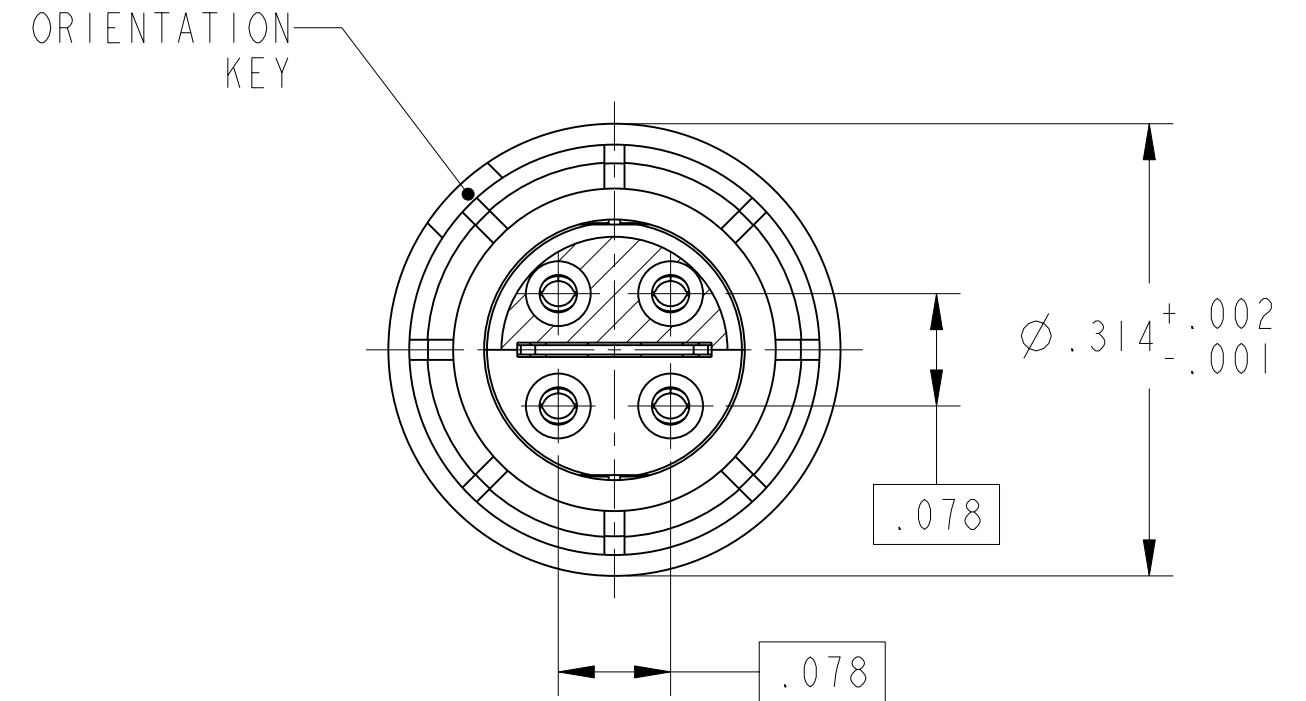
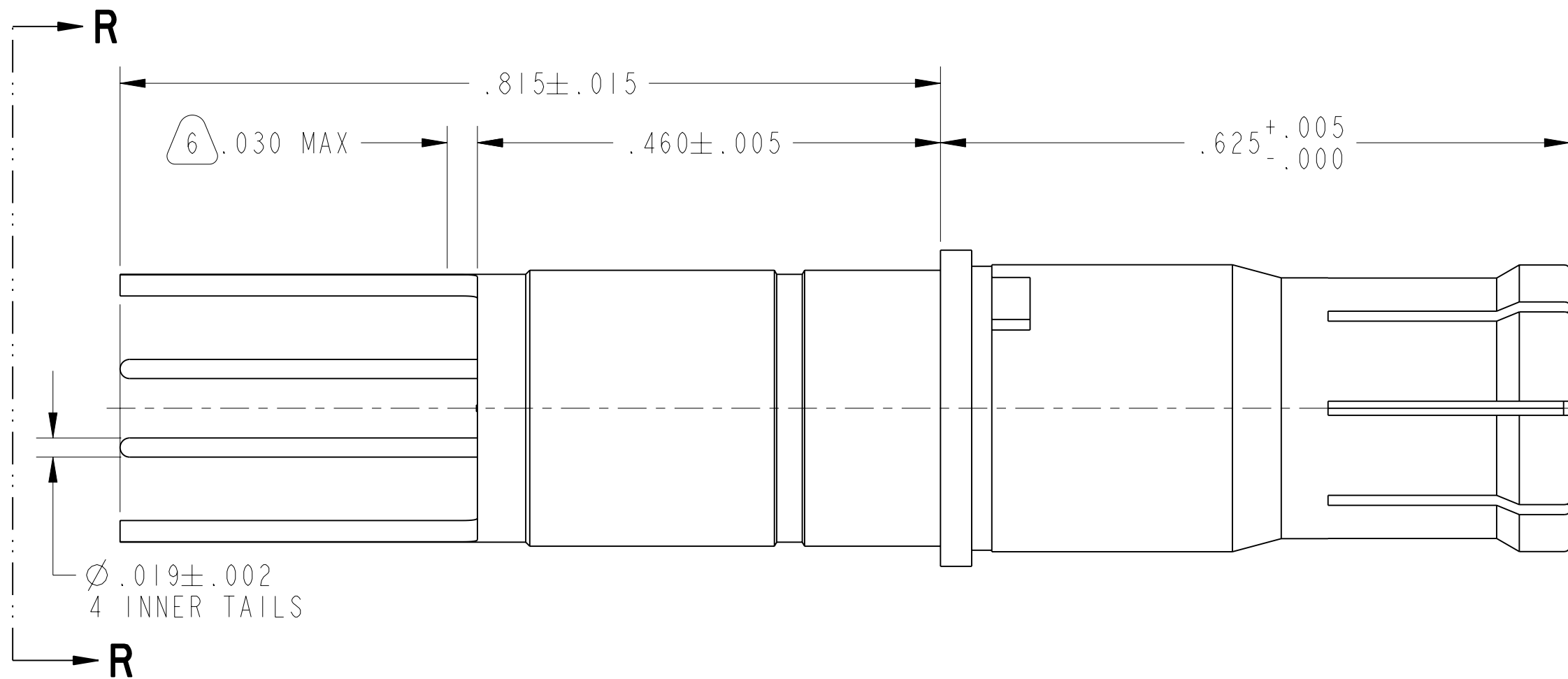


REV. A	SHEET 1 OF 1	DOCUMENT NO. 21-033467-021
REVISIONS		
LTR	DESCRIPTION	DATE
A	INITIAL RELEASE	-



9. DIFFERENTIAL PAIRS:
 PAIR #1: S1-S4 (T1-T4)
 PAIR #2: S2-S3 (T2-T3)

8. INTERNAL ELECTRICAL CONNECTIONS:
 S1-T1, S2-T2, S3-T3, S4-T4

7. FOR LEAK CHECKED CONTACT ASSEMBLIES, ADD LAST CHARACTER SUFFIX TO PART NUMBER:

DESCRIPTION	SUFFIX	TEST
NOT CHECKED	<NONE>	<NONE>
10 ⁻³ CC/SEC He	-XXXZ	9-5266-111
15 PSI	-XXXV	9-5266-110
10 PSI	-XXXW	9-5266-110, EXCEPT 10PSI
5 PSI	-XXXU	9-5266-110, EXCEPT 5 PSI

6. EPOXY MAY BE PRESENT ON CONTACT TAILS IN INDICATED AREA.

5. MATES WITH D38999 QUADRAX PINS 21-033470-() & OTHERS.

4. ALL DIMENSIONS ARE AFTER PLATING

3. MATERIALS:
 OUTER & INNER CONTACTS- BERYLLIUM COPPER PER ASTM-B-196
 SHIELD FERRULE- BRASS PER ASTM B453 OR QQ-B-626
 INSULATORS & RETAINERS- POLYETHERIMIDE

2. FINISH:
 GOLD PLATED PER ASTM B488, TYPE II, CODE C, CLASS 1.27 (.000050 MIN)
 OVER NICKEL PLATE PER AMS-QQ-N-290 (.000050 MIN).

1. CONTACTS MEET THE ENVELOPE DIMENSIONAL REQUIREMENTS OF M39029/91.

NOTES:

THE USE OF THIS DOCUMENT IS UNLIMITED. HOWEVER, DOCUMENTS REFERENCED HEREON MAY CONTAIN LIMITED RIGHTS DATA.

RELEASED / May . 21 2012, 3:04:13 PM

DOCUMENT NO. 21-033467-021

SHEET 1 OF 1

REV. A

N/A

NEXT ASSEMBLY

PRO/ENGINEER INFORMATION

Pro/e Model Used:
 21-033467-021.ASSEM
 Drawing Name:
 21-033467-021

UNLESS OTHERWISE SPECIFIED

LINEAR DIMENSIONS ARE IN INCHES
 TOLERANCES:
 .XXXX = ±.0005 ANGLES= ±2°
 .XXX = ±.010
 .XX = ±.03
 .X = ±.1

DIM. & TOL. PER ASME Y14.5M;
 DRM PER MIL-DTL-31000;
 OTHER Amphenol Stds. PER 9-3800
 LEGENDS:
 =FLAG NOTE CALL OUT REFERENCE ONLY

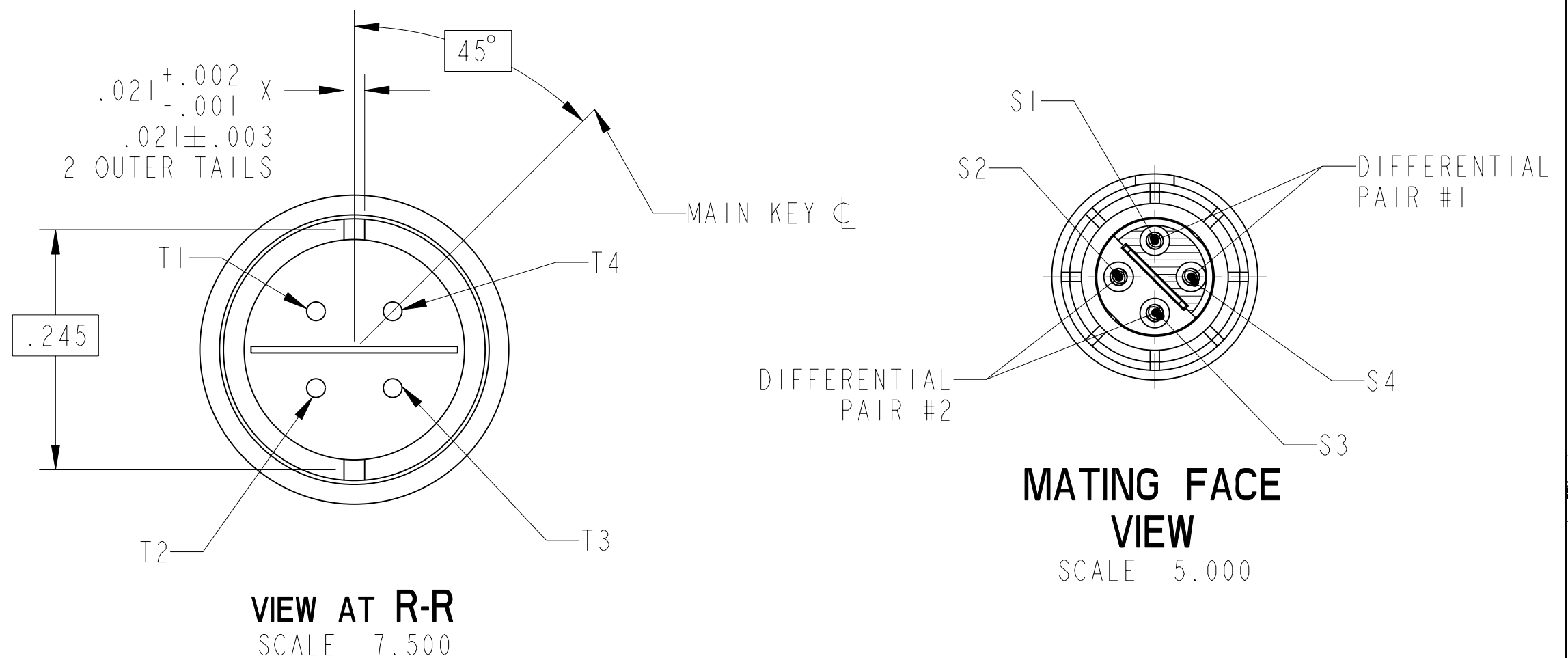
SPECIFICATIONS

MATERIAL SPEC.
 N/A

PROCESS SPEC.
 N/A

POS	QTY	PART NUMBER	DESCRIPTION	NOTE
I	I	21-033467-021M	CONTACT ASSEMBLY	

PARTS LIST			
<p>APPROVALS</p> <p>PREPARED BY J. BORDEAU</p> <p>ENGINEER IN CHARGE D. PHILLIPS</p> <p>DESIGN MANAGER E. HICKEY</p> <p>DESIGN ACTIVITY GROUP C-1</p> <p>DATE 02-May-12</p> <p>THIRD ANGLE PROJECTION</p>			
<p>AMPHENOL CORPORATION</p> <p>40-60 DELAWARE AVENUE</p> <p>SIDNEY, N.Y. 13858</p>			
<p>CONTACT, SOCKET, QUADRAX,</p> <p>ELECTRICAL CONNECTOR,</p> <p>TYPE D38999 I & III, SPLIT-PAIR, PCB</p>			
SIZE C	CAGE CODE 77820	DOCUMENT NO. 21-033467-021	REV. A
SCALE: 7.5	REF. 21-033467-071	SHEET 1 OF 1	



DOCUMENT NO. 21-033467-021
 SHEET 1 OF 1
 REV. A
 VERSION 3
 Eng. PDM Information For Reference Only