

REV. A	SHEET 1 OF 1	DOCUMENT NO. 21-033467-041
REVISIONS		
LTR	DESCRIPTION	DATE
A	INITIAL RELEASE	-

21-033467-041

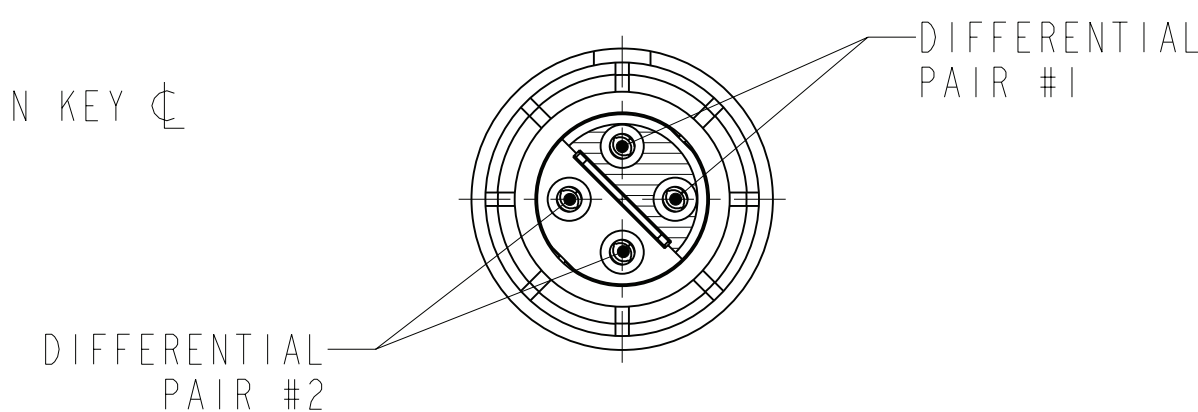
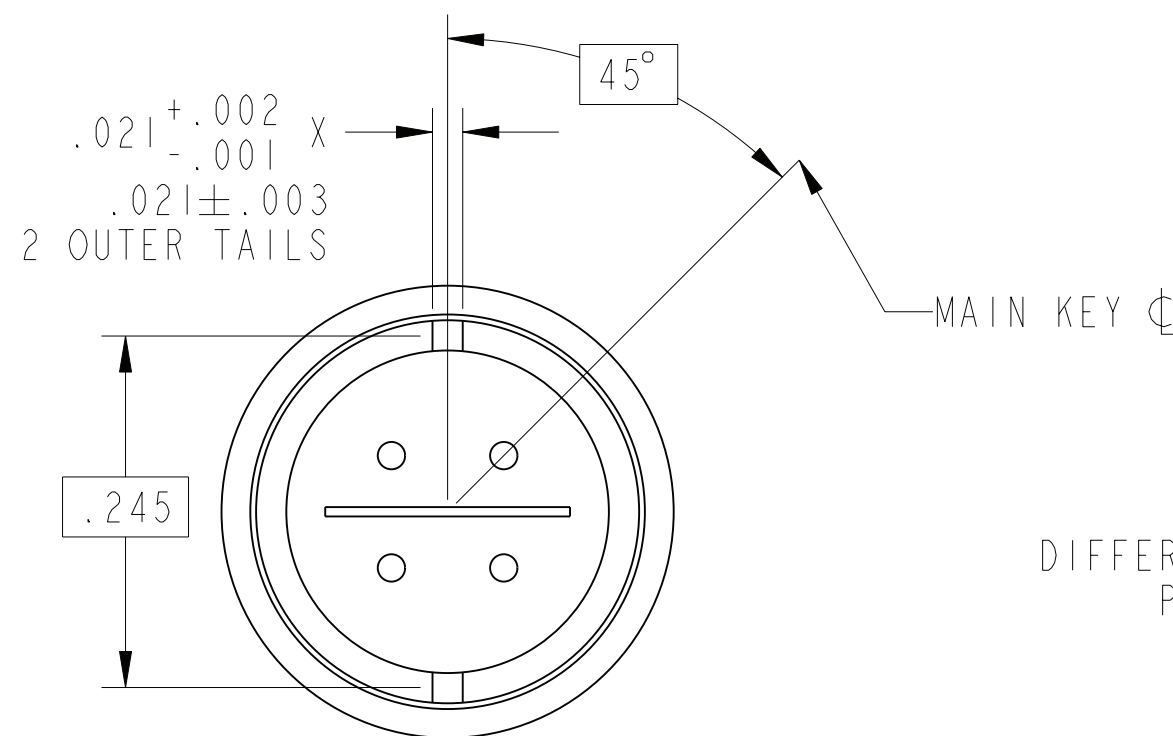
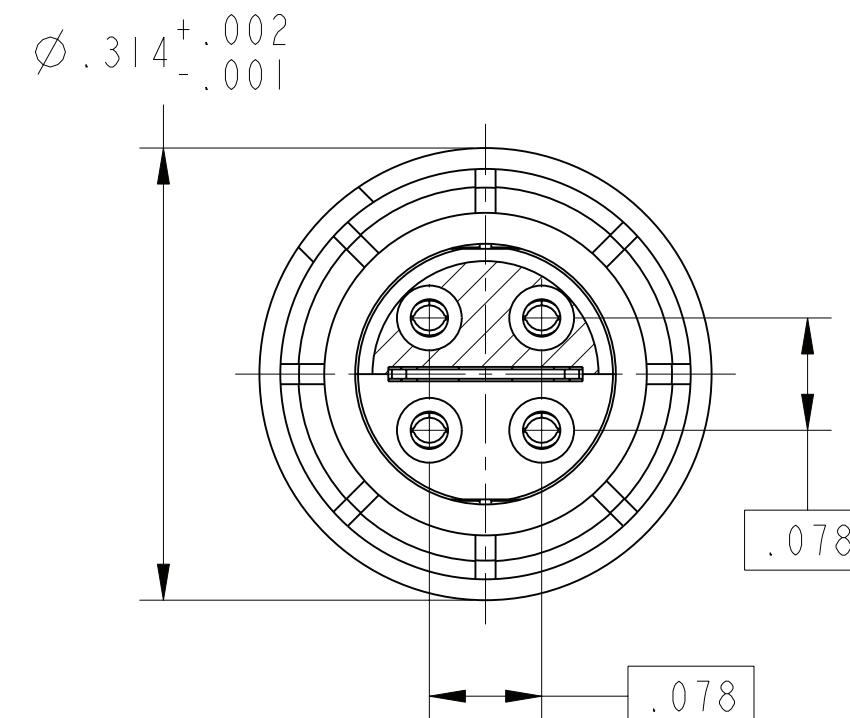
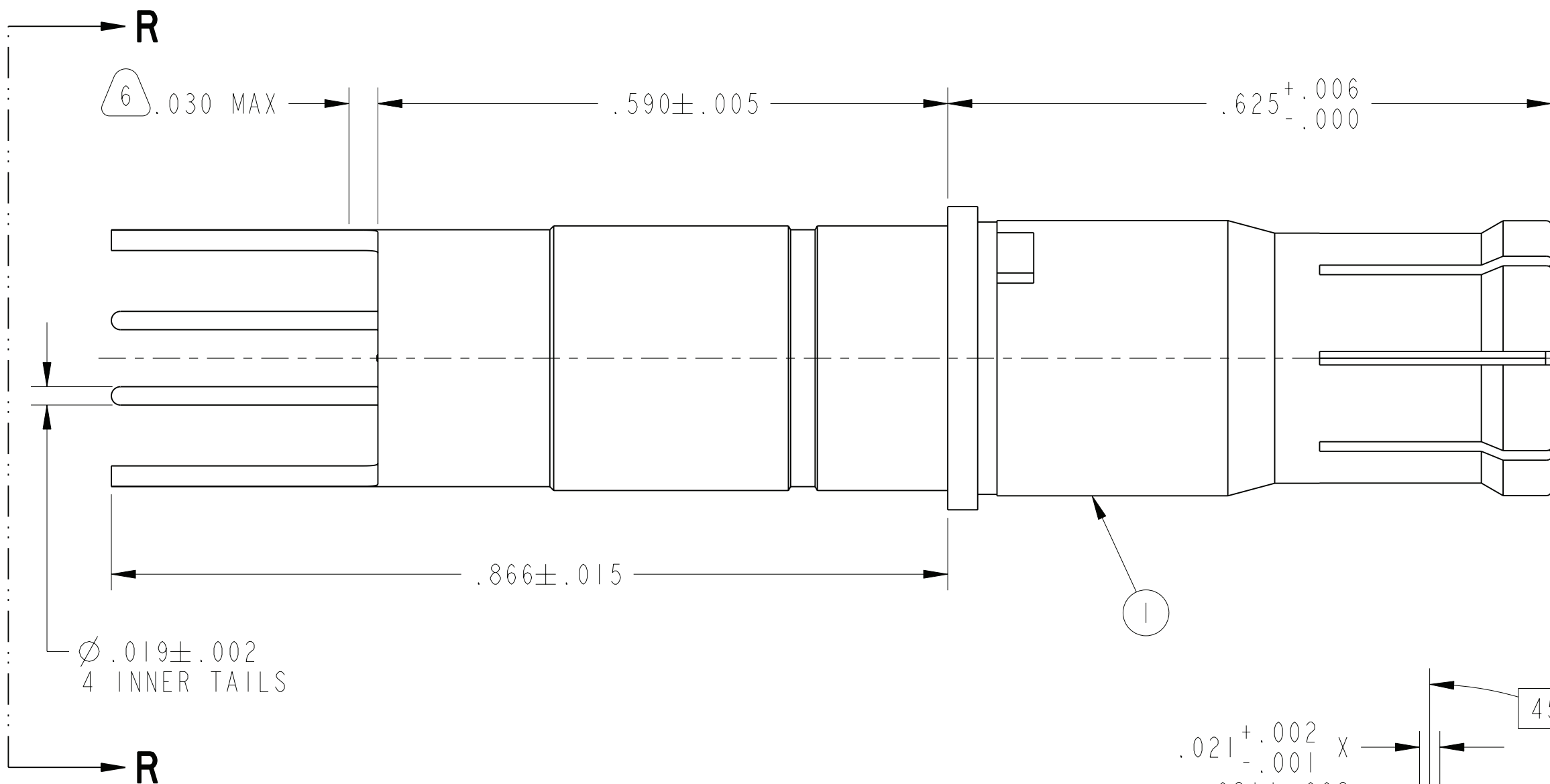
SHEET 1 OF 1

REV. A

C

B

A



MATING FACE VIEW
SCALE 5.000

VIEW AT R-R
SCALE 7.500

- 6. EPOXY MAY BE PRESENT ON CONTACT TAILS IN INDICATED AREA.
- 5. MATES WITH D38999 QUADRAX PINS 21-033470-().
- 4. ALL DIMENSIONS ARE AFTER PLATING
- 3. MATERIALS:
 OUTER & INNER CONTACTS- BERYLLIUM COPPER PER ASTM-B-196
 SHIELD FERRULE- BRASS PER ASTM B453 OR QQ-B-626
 INSULATORS & RETAINERS- POLYETHERIMIDE
- 2. FINISH:
 GOLD PLATED PER ASTM B488, TYPE II, CODE C, CLASS 1.27 (.000050 MIN)
 OVER NICKEL PLATE PER AMS-QQ-N-290 (.000050 MIN).
- 1. CONTACTS MEET THE ENVELOPE DIMENSIONAL REQUIREMENTS OF M39029/91.

NOTES:

THE USE OF THIS DOCUMENT IS UNLIMITED. HOWEVER, DOCUMENTS REFERENCED HEREON MAY CONTAIN LIMITED RIGHTS DATA.

RELEASED / Jun . 27 2011, 2:24:05 PM
 DOCUMENT NO. 21-033467-041
 SHEET 1 OF 1
 REV. A

N/A
 NEXT ASSEMBLY

PRO/ENGINEER INFORMATION
 Pro/e Model Used:
 21-033467-041.ASSEM
 Drawing Name:
 21-033467-041

UNLESS OTHERWISE SPECIFIED	SPECIFICATIONS
LINEAR DIMENSIONS ARE IN INCHES TOLERANCES: .XXXX = ±.0005 ANGLES= ±2° .XXX = ±.010 .XX = ±.03 .X = ±.1	MATERIAL SPEC. N/A
DIM. & TOL. PER ASME Y14.5M; DRM PER MIL-DTL-31000; OTHER Amphenol Stds. PER 9-3800	PROCESS SPEC. N/A
LEGENDS: = FLAG NOTE CALL OUT REFERENCE ONLY	

I	I	21-033467-041M	CONTACT ASSEMBLY	
POS	QTY	PART NUMBER	DESCRIPTION	NOTE
PARTS LIST				
AMPHENOL CORPORATION 40-60 DELAWARE AVENUE SIDNEY, N.Y. 13858				
CONTACT, SOCKET, QUADRAX, ELECTRICAL CONNECTOR, TYPE D38999 I & III, PCB, SPLIT-PAIR				
SIZE	CAGE CODE	DOCUMENT NO.	REV.	
C	77820	21-033467-041	A	
SCALE: 7.5	REF. 21-033471-001	SHEET 1 OF 1		

VERSION 5

REVISION A

RELEASE STATE Released

REV. A

SHEET 1 OF 1

21-033467-041