

REV. A		DOCUMENT NO. 21-033467-071
SHEET 1 OF 1		REVISIONS
LTR	DESCRIPTION	DATE
A	INITIAL RELEASE	-

21-033467-071

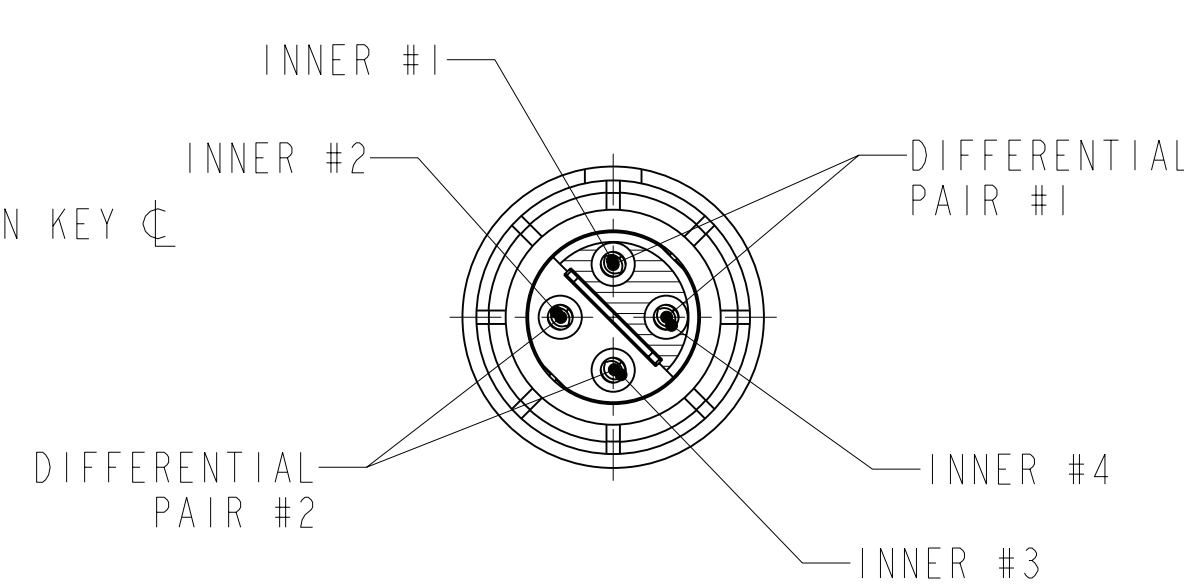
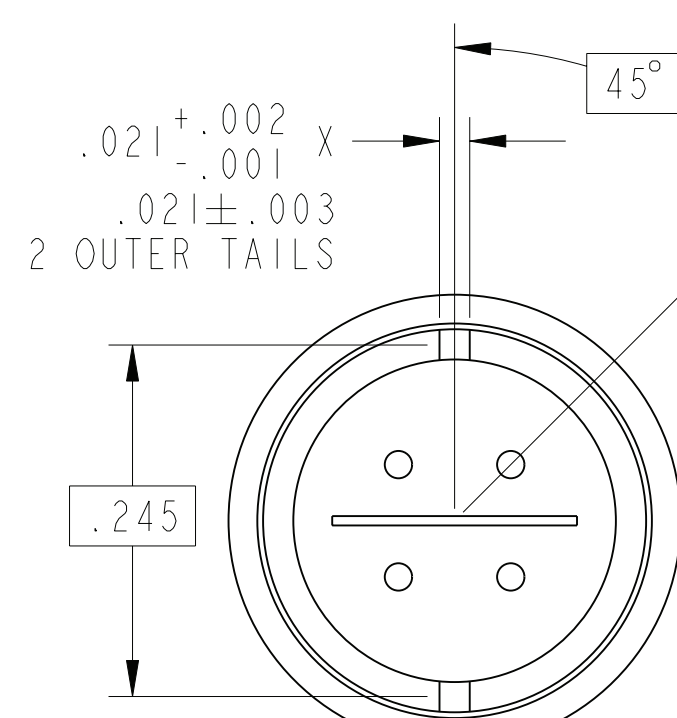
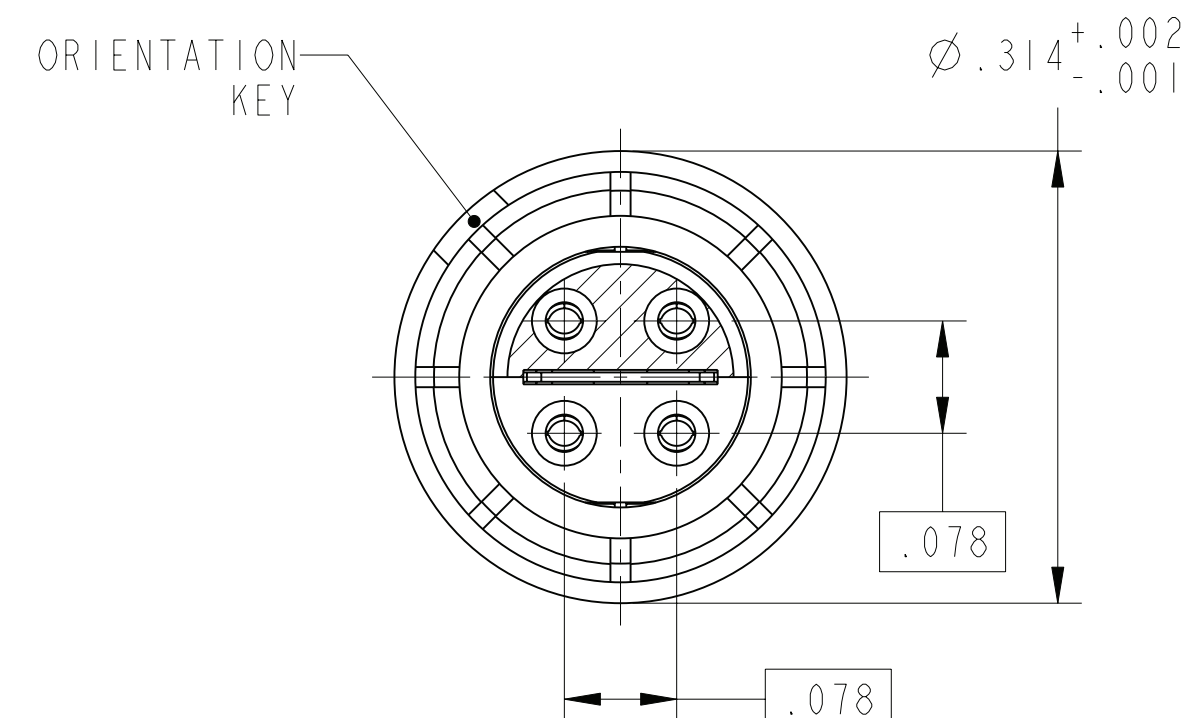
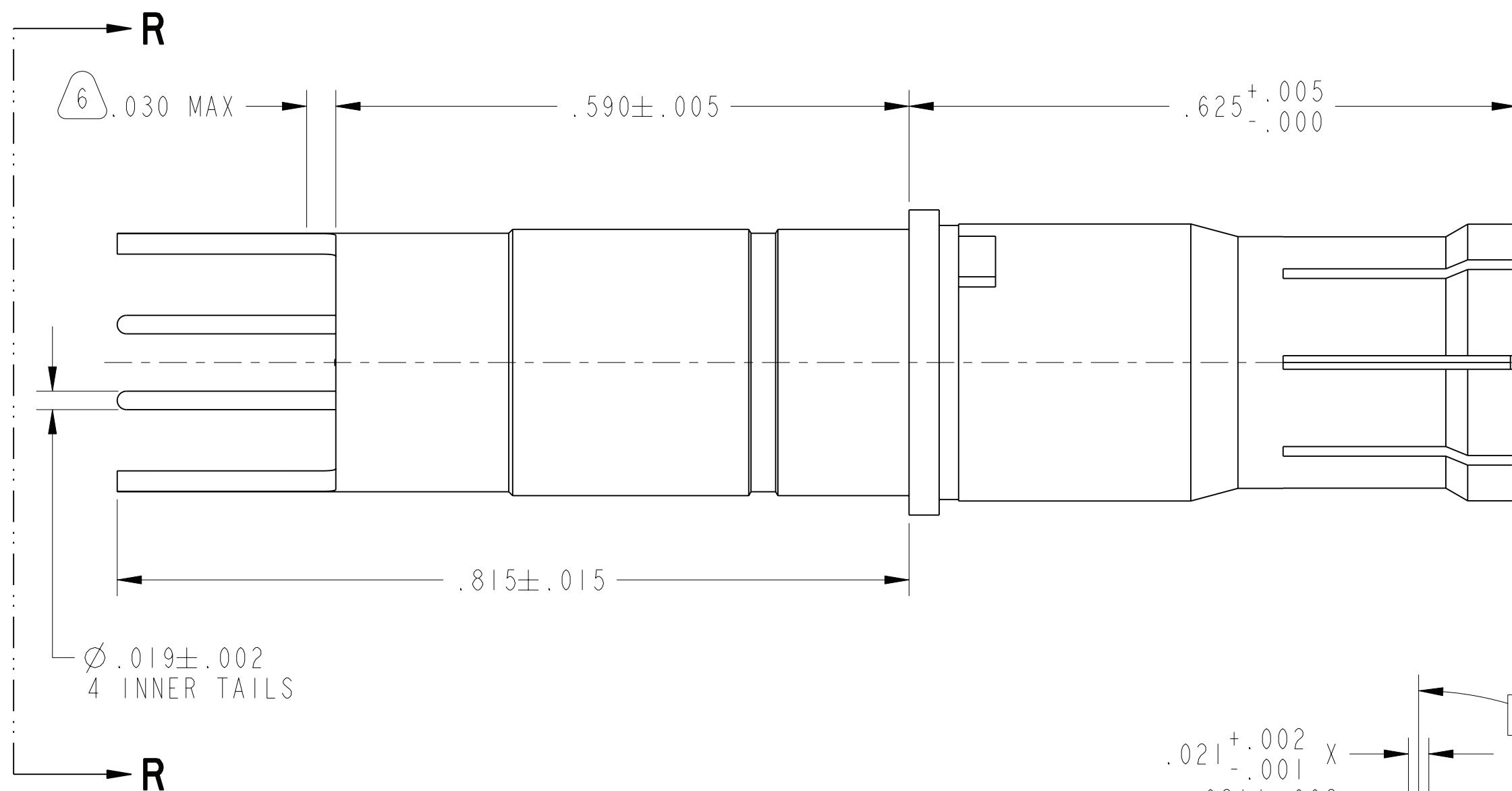
SHEET 1 OF 1

REV. A

C

B

A



MATING FACE VIEW
SCALE 5.000

VIEW AT R-R
SCALE 7.500

- CONTACTS MEET THE ENVELOPE DIMENSIONAL REQUIREMENTS OF M39029/91.
- FINISH:
GOLD PLATED PER ASTM B488, TYPE II, CODE C, CLASS 1.27 (.000050 MIN)
OVER NICKEL PLATE PER AMS-QQ-N-290 (.000050 MIN).
- MATERIALS:
OUTER & INNER CONTACTS- BERYLLIUM COPPER PER ASTM-B-196
SHIELD FERRULE- BRASS PER ASTM B453 OR QQ-B-626
INSULATORS & RETAINERS- POLYETHERIMIDE
- ALL DIMENSIONS ARE AFTER PLATING
- MATES WITH D38999 QUADRAX PINS 21-033470-() & OTHERS.
- EPOXY MAY BE PRESENT ON CONTACT TAILS IN INDICATED AREA.

NOTES:

THE USE OF THIS DOCUMENT IS UNLIMITED. HOWEVER, DOCUMENTS REFERENCED HEREON MAY CONTAIN LIMITED RIGHTS DATA.

RELEASED / Mar . 18 2011, 1:40:30 PM

DOCUMENT NO. 21-033467-071 SHEET 1 OF 1 REV. A

N/A	PRO/ENGINEER INFORMATION
NEXT ASSEMBLY	Pro/e Model Used: 21-033467-071.ASSEM Drawing Name: 21-033467-071

UNLESS OTHERWISE SPECIFIED	SPECIFICATIONS
LINEAR DIMENSIONS ARE IN INCHES TOLERANCES: .XXXX = ±.0005 ANGLES= ±2° .XXX = ±.010 .XX = ±.03 .X = ±.1	MATERIAL SPEC. N/A
DIM. & TOL. PER ASME Y14.5M; DRM PER MIL-DTL-31000; OTHER Amphenol Stds. PER 9-3800	PROCESS SPEC. N/A
LEGENDS: = FLAG NOTE CALL OUT REFERENCE ONLY	

I	I	21-033467-071M	CONTACT ASSEMBLY	
POS	QTY	PART NUMBER	DESCRIPTION	NOTE
PARTS LIST				
AMPHENOL CORPORATION 40-60 DELAWARE AVENUE SIDNEY, N.Y. 13858				
CONTACT, SOCKET, QUADRAX, ELECTRICAL CONNECTOR, TYPE D38999 I & III, SPLIT-PAIR, PCB				
SIZE	CAGE CODE	DOCUMENT NO.	REV.	
C	77820	21-033467-071	A	
SCALE: 7.5	REF. 21-033471-001	SHEET 1 OF 1		

DOCUMENT NO. 21-033467-071
SHEET 1 OF 1
REV. A
RELEASE STATE Released
VERSION 3