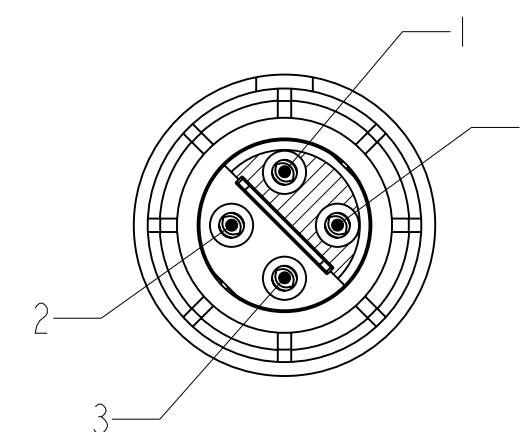
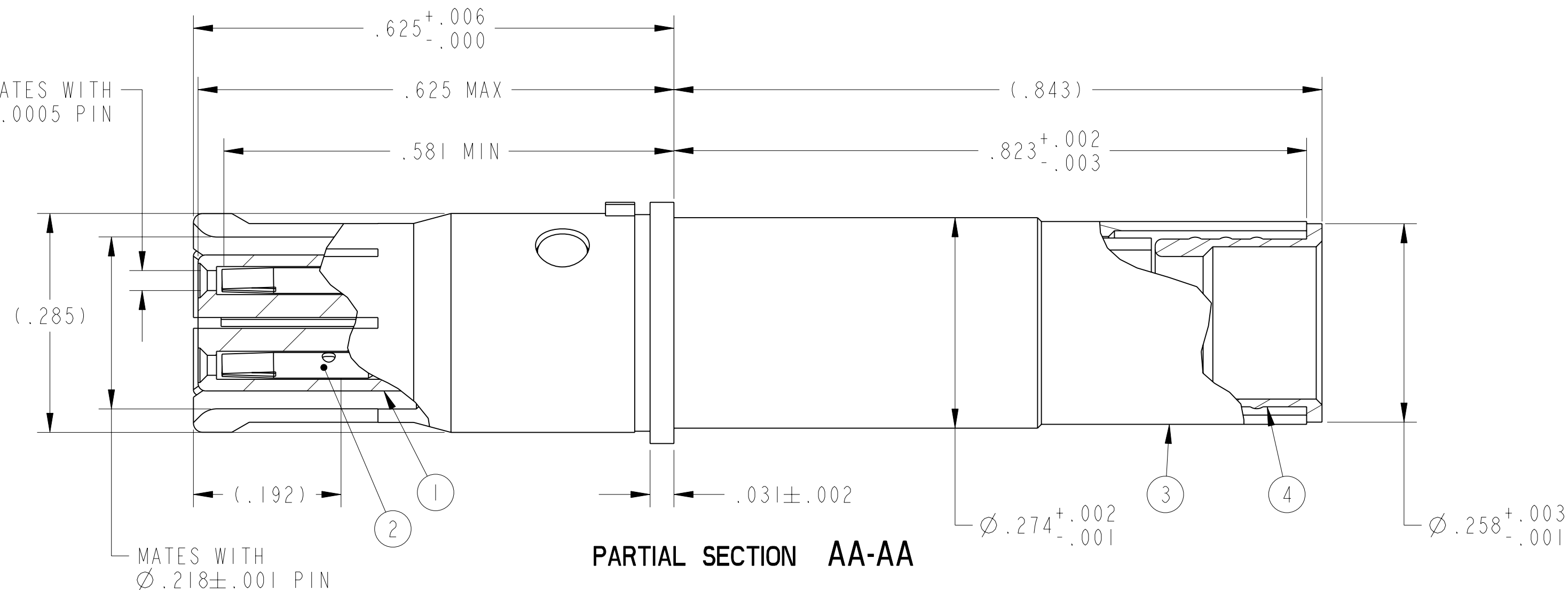
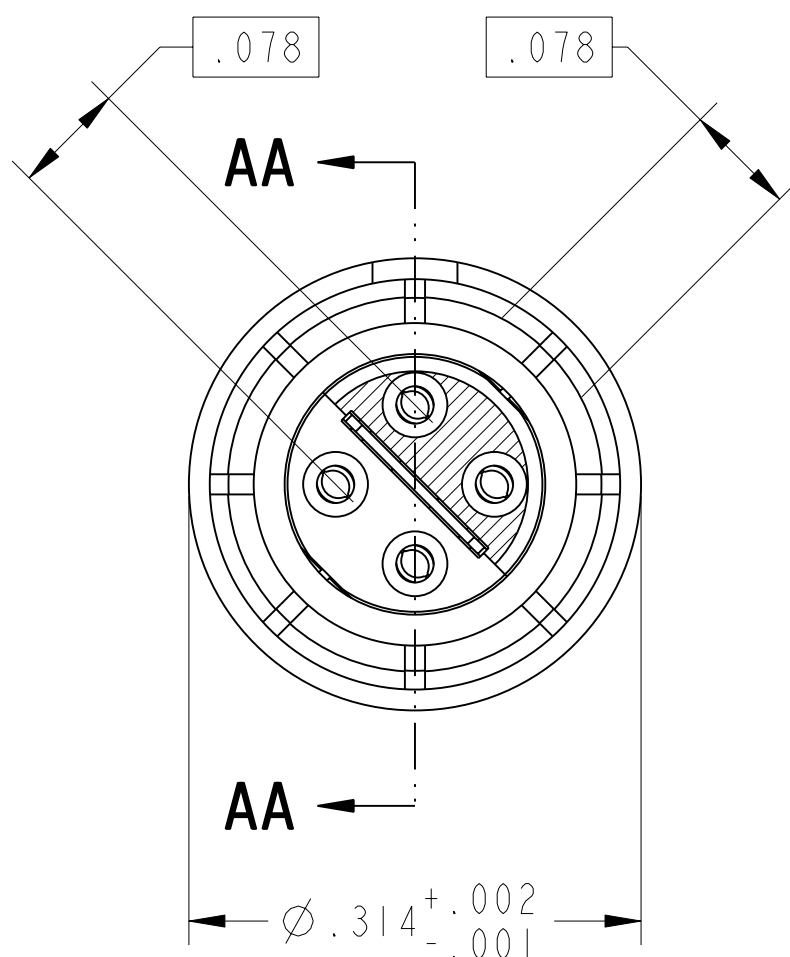


REV. B		SHEET 1 OF 1		DOCUMENT NO. 21-033471-021	
REVISIONS					
LTR	DESCRIPTION			DATE	
A	INITIAL RELEASE			03/20/12	
B	(CL. 11) SEE ECN B4812			---	



**MATING FACE VIEW**  
SCALE 5.000

8. DIFFERENTIAL PAIRS:  
PAIR #1: 1-4  
PAIR #2: 2-3
7. MATES WITH D38999 QUADRAX PINS 21-033470-( ).
6. CRIMPING TOOLS:  
OUTER CONTACT- M22520/5-01 TOOL, DANIELS Y1999 OR M22520/5-45 DIE SET (HEX CLOSURE A)  
INNER CONTACTS- M22520/2-01 TOOL, DANIELS K1777 POSITIONER
5. TERMINATES QUADRAX CABLE THERMAX 1536-195 (100 OHM) OR EQUIVALENT.
4. DRAWING ILLUSTRATES FINAL ASSEMBLY. CONTACT COMPONENTS ARE SHIPPED UNASSEMBLED. INSTALLATION INSTRUCTIONS & PIGGYBACK GROMMET SEAL (NOT ILLUSTRATED) ARE PACKAGED WITH EACH ASSEMBLY. PACKAGE PER PRODUCTION PROCESS SHEET.
3. MATERIALS:  
OUTER & INNER CONTACTS- BERYLLIUM COPPER PER ASTM-B-196  
SHIELD FERRULE- BRASS PER ASTM B453 OR QQ-B-626  
INSULATORS & RETAINERS- POLYETHERIMIDE
2. FINISH:  
GOLD PLATED PER ASTM B488, TYPE II, CODE C, CLASS 1.27 (.000050 MIN)  
OVER NICKEL PLATE PER AMS-QQ-N-290 (.000050 MIN).
1. CONTACTS MEET THE ENVELOPE DIMENSIONAL REQUIREMENTS OF M39029/91.

**NOTES:**

THE USE OF THIS DOCUMENT IS UNLIMITED. HOWEVER, DOCUMENTS REFERENCED HEREON MAY CONTAIN LIMITED RIGHTS DATA.

N/A  
NEXT ASSEMBLY

PRO/ENGINEER INFORMATION  
Pro/e Model Used:  
21-033471-021.ASSEM  
Drawing Name:  
21-033471-021

UNLESS OTHERWISE SPECIFIED  
SPECIFICATIONS  
MATERIAL SPEC.  
N/A  
PROCESS SPEC.  
N/A

LINEAR DIMENSIONS ARE IN INCHES  
TOLERANCES:  
.XXXX = ±.0005 ANGLES= ±2°  
.XXX = ±.010  
.XX = ±.03  
.X = ±.1

DIM. & TOL. PER ASME Y14.5M;  
DRM PER MIL-DTL-31000;  
OTHER Amphenol Stds. PER 9-3800

LEGENDS:  
=FLAG NOTE CALL OUT REFERENCE ONLY

POS	QTY	PART NUMBER	DESCRIPTION	NOTE
6	1	L-2119-DX	INSTALLATION INSTRUCTIONS	4
5	1	21-033321-030	PIGGYBACK GROMMET SEAL	4
4	1	21-033384-036	SHIELD FERRULE	
3	1	21-033385-044	OUTER CONTACT	
2	4	21-033471-002	INNER CONTACT	
1	1	21-033471-079	INSULATOR ASSEMBLY	

PARTS LIST			
<b>AMPHENOL CORPORATION</b> 40-60 DELAWARE AVENUE SIDNEY, N.Y. 13858			
<b>CONTACT, SOCKET, QUADRAX, ELECTRICAL CONNECTOR, TYPE D38999 I &amp; III</b>			
SIZE <b>C</b>	CAGE CODE <b>77820</b>	DOCUMENT NO. <b>21-033471-021</b>	REV. <b>B</b>
SCALE: 7.5	REF. 21-033471-001	SHEET 1 OF 1	

APPROVALS	DATE
PREPARED BY N. DAY	
ENGINEER IN CHARGE D. PHILLIPS	12-Mar-12
DESIGN MANAGER E. HICKEY	
DESIGN ACTIVITY GROUP MIL-AERO CI	
THIRD ANGLE PROJECTION	