

REV. A	SHEET 1 OF 1	DOCUMENT NO. 21-033475-001
REVISIONS		
LTR	DESCRIPTION	DATE
A	INITIAL RELEASE	

21-033475-001

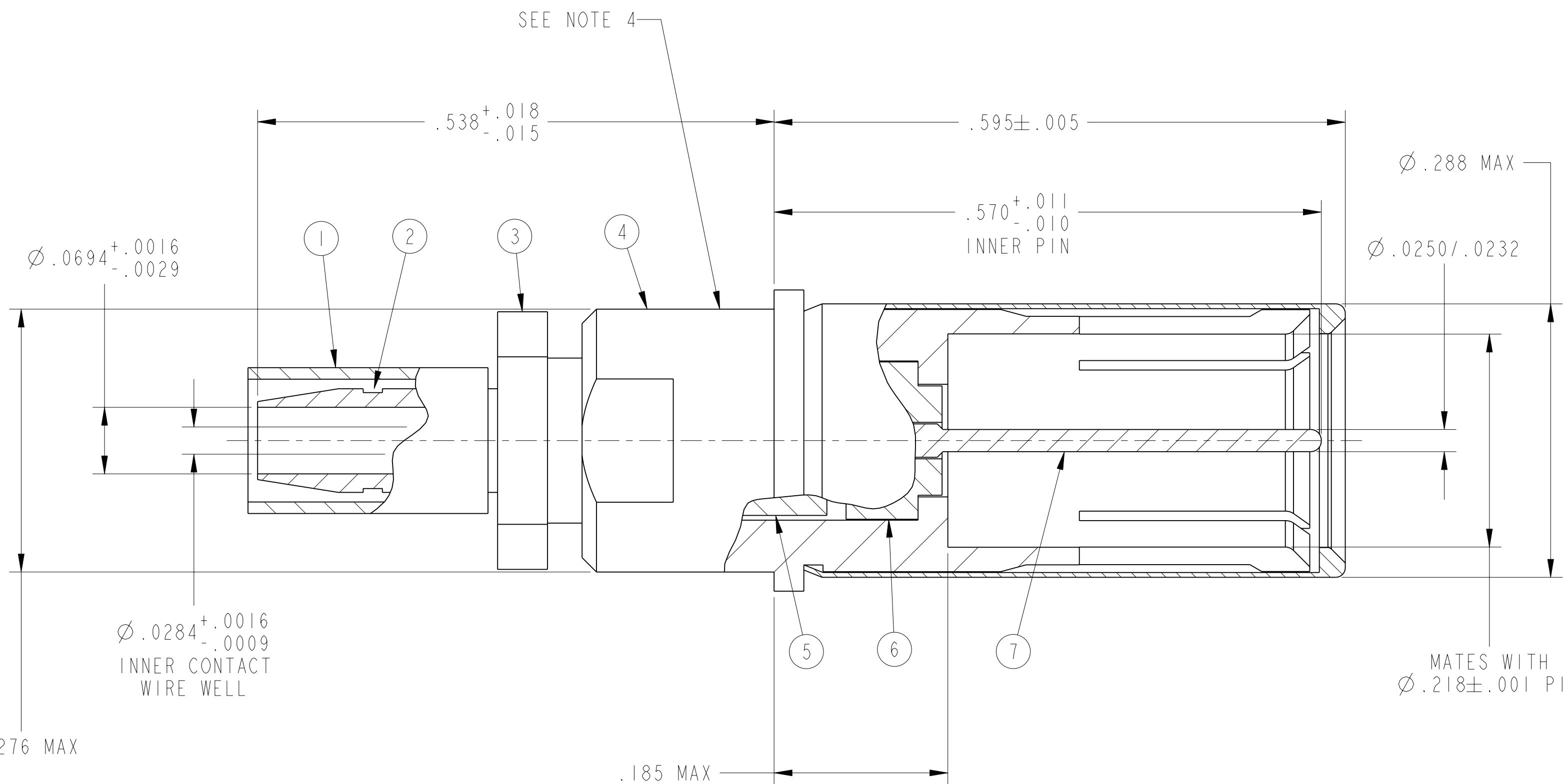
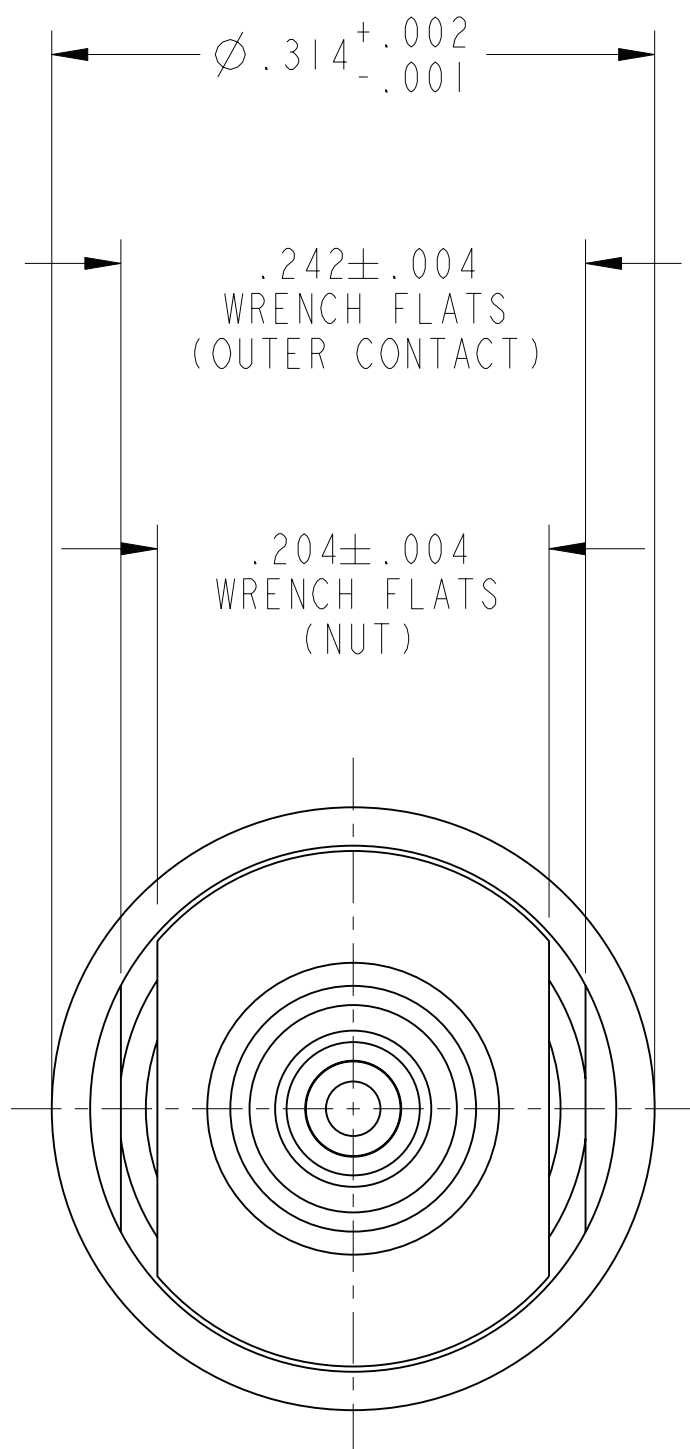
SHEET 1 OF 1

REV. A

C

B

A



- 6. MATES WITH 21-033476-( ) COAX CONTACTS ONLY.
- 5. FOR USE WITH COAX CABLE MI7/094-RG179 OR EQUIVALENT.
- 4. BLACK INK STAMP TRADEMARK PER 9-6700, TYPE IV, PER 9-7530 OR 9-3856-5 IN APPROX POSITON SHOWN ON THE OUTER CONTACT. TRADEMARK DIRECTION OPTIONAL AND MAY BE SOLID.
- 3. INDICATED ITEM NOT ILLUSTRATED.
- 2. DRAWING ILLUSTRATES FINAL ASSEMBLY. COMPLETE INSTALLATION INSTRUCTIONS (F/N 8) ARE PACKAGED WITH EACH ASSEMBLY. PACKAGE PER PRODUCTION PROCESS SHEET.

1. PROCESS SPEC:  
 NOTES: 9-6700, 9-7530, 9-3856-5.

THE USE OF THIS DOCUMENT IS UNLIMITED. HOWEVER, DOCUMENTS REFERENCED HEREON MAY CONTAIN LIMITED RIGHTS DATA.

N/A  
 NEXT ASSEMBLY

PRO/ENGINEER INFORMATION  
 Pro/e Model Used:  
 21-033475-001.ASSEM  
 Drawing Name:  
 21-033475-001

UNLESS OTHERWISE SPECIFIED  
 LINEAR DIMENSIONS ARE IN INCHES  
 TOLERANCES:  
 .XXXX = ±.0005 ANGLES= ±2°  
 .XXX = ±.010  
 .XX = ±.03  
 .X = ±.1  
 DIM. & TOL. PER ASME Y14.5M;  
 DRM PER MIL-DTL-31000;  
 OTHER Amphenol Stds. PER 9-3800  
 LEGENDS:  
 =FLAG NOTE CALL OUT REFERENCE ONLY

SPECIFICATIONS  
 MATERIAL SPEC.  
 N/A  
 PROCESS SPEC.  
 SEE NOTE 1

POS	QTY	PART NUMBER	DESCRIPTION	NOTE
8	1	L-2090-C	INSTALLATION INSTRUCTIONS	2,3
7	1	21-033475-003	INNER CONTACT	
6	1	21-001305-035	FRONT INSULATOR	
5	1	21-001312-020	BACK INSULATOR	
4	1	21-033475-002	OUTER CONTACT ASY	4
3	1	21-001552-085	NUT	
2	1	21-033679-001	RETAINER	
1	1	10-092703-145	FERRULE	

APPROVALS	DATE
PREPARED BY LRATCHFORD	
ENGINEER IN CHARGE LRATCHFORD	09-Apr-09
DESIGN MANAGER HJOHNSON	
DESIGN ACTIVITY GROUP MIL-AERO-DEVELOP	
THIRD ANGLE PROJECTION	

AMPHENOL CORPORATION  
 40-60 DELAWARE AVENUE  
 SIDNEY, N.Y. 13858

CONTACT, SOCKET, COAXIAL, SIZE 8,  
 ELECTRICAL CONNECTOR,  
 TYPE ARINC 600

SIZE C	CAGE CODE 77820	DOCUMENT NO. 21-033475-001	REV. A
SCALE: 10:0	REF 21-33675-1	SHEET 1 OF 1	

RELEASED / Apr . 14 2009, 9:49:29 AM  
 DOCUMENT NO. 21-033475-001  
 SHEET 1 OF 1  
 REV. A

VERSION 01

REVISION A

RELEASE STATE WIP

REV. A

SHEET 1 OF 1

DOCUMENT NO. 21-033475-001