

REV. A	SHEET 1 OF 1	DOCUMENT NO. 21-033476-001
REVISIONS		
LTR	DESCRIPTION	DATE
A	INITIAL RELEASE	

21-033476-001

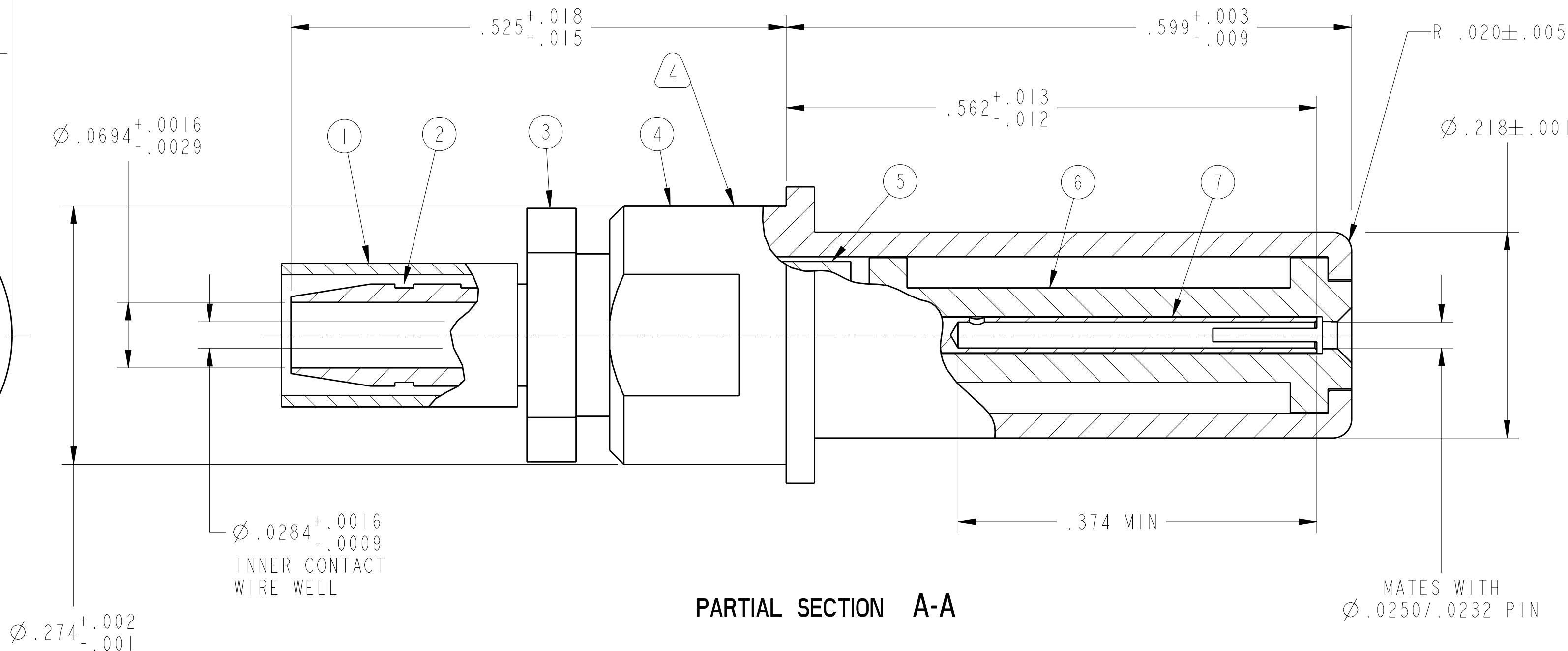
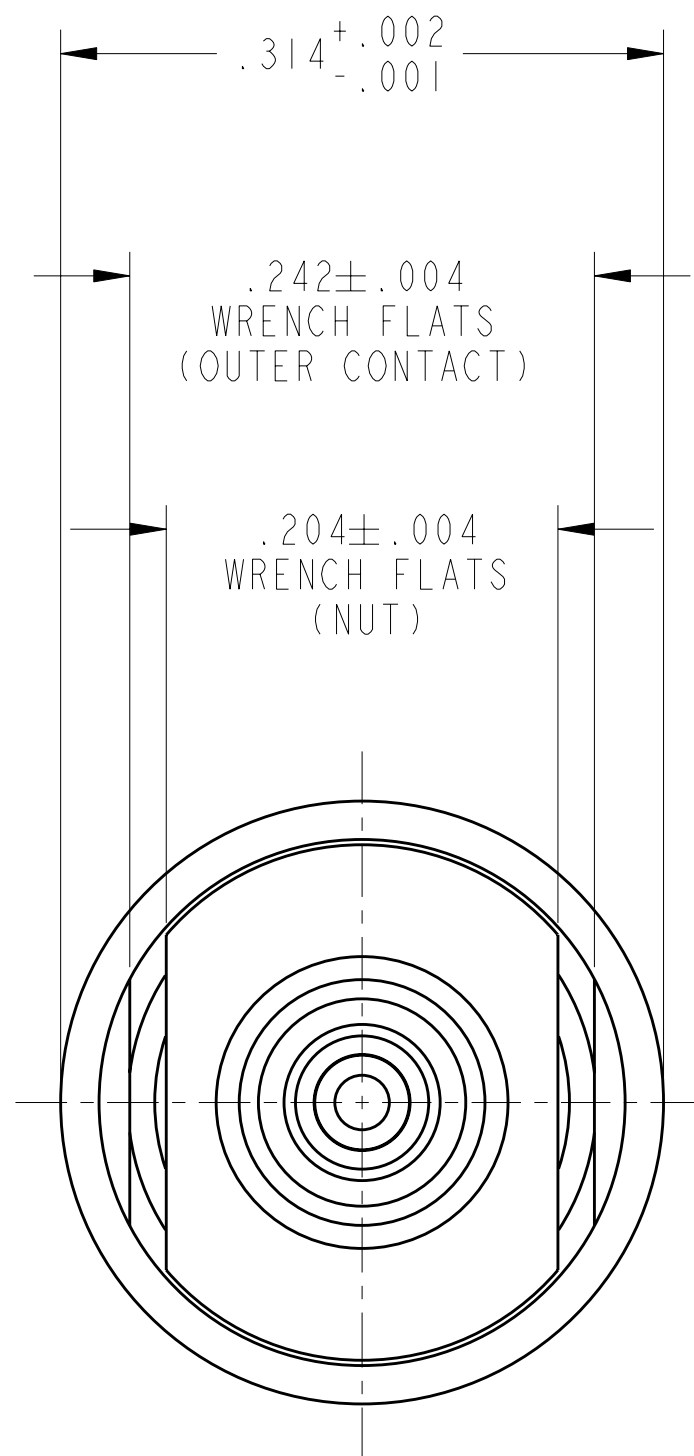
SHEET 1 OF 1

REV. A

C

B

A



PARTIAL SECTION A-A

MATES WITH Ø.0250/.0232 PIN

- 6. MATES WITH 21-33475-( ) COAX CONTACTS ONLY.
- 5. FOR USE WITH COAX CABLE MI7/094-RG179 OR EQUIVALENT.
- 4. BLACK INK STAMP TRADEMARK PER 9-6700, TYPE IV, PER 9-7530 OR 9-3856-5 IN APPROX POSITON SHOWN ON THE OUTER CONTACT. TRADEMARK DIRECTION OPTIONAL AND MAY BE SOLID.
- 3. INDICATED ITEM NOT ILLUSTRATED.
- 2. DRAWING ILLUSTRATES FINAL ASSEMBLY. COMPLETE INSTALLATION INSTRUCTIONS (F/N 8) ARE PACKAGED WITH EACH ASSEMBLY. PACKAGE PER PRODUCTION PROCESS SHEET.
- 1. PROCESS SPEC:  
9-6700, 9-7530, 9-3856-5.

NOTES:

THE USE OF THIS DOCUMENT IS UNLIMITED. HOWEVER, DOCUMENTS REFERENCED HEREON MAY CONTAIN LIMITED RIGHTS DATA.

N/A NEXT ASSEMBLY

PRO/ENGINEER INFORMATION  
 Pro/e Model Used:  
 21-033476-001.ASSEM  
 Drawing Name:  
 21-033476-001

UNLESS OTHERWISE SPECIFIED	SPECIFICATIONS
LINEAR DIMENSIONS ARE IN INCHES TOLERANCES: .XXXX = ±.0005 ANGLES= ±2° .XXX = ±.010 .XX = ±.03 .X = ±.1	MATERIAL SPEC. N/A
DIM. & TOL. PER ASME Y14.5M; DRM PER MIL-DTL-31000; OTHER Amphenol Stds. PER 9-3800	PROCESS SPEC. SEE NOTE 1
LEGENDS: = FLAG NOTE CALL OUT REFERENCE ONLY	

POS	QTY	PART NUMBER	DESCRIPTION	NOTE
8	1	L-2090-D	INSTALLATION INSTRUCTIONS	2, 3
7	1	21-033476-003	INNER CONTACT	
6	1	21-033476-005	FRONT INSULATOR	
5	1	21-001312-020	BACK INSULATOR	
4	1	21-033683-001	OUTER CONTACT	4
3	1	21-001552-085	NUT	
2	1	21-033679-001	RETAINER	
1	1	10-092703-145	FERRULE	

APPROVALS: RATCHFORD (Prepared by), RATCHFORD (Engineer in Charge), SHEPLER (Design Manager), MIL AERO (Design Activity Group)
 DATE: 08-Feb-13  
 THIRD ANGLE PROJECTION  
 PARTS LIST  
**AMPHENOL CORPORATION**  
 40-60 DELAWARE AVENUE  
 SIDNEY, N.Y. 13858  
**CONTACT, PIN, COAXIAL, SIZE 8, ELECTRICAL CONNECTOR, TYPE ARINC 600**  
 SIZE C CAGE CODE 77820 DOCUMENT NO. 21-033476-001 REV. A  
 SCALE: 10:0 REF 21-33676-1 SHEET 1 OF 1

FORMAT: C-U-E-1

RELEASED / Feb. 20 2013, 11:38:32 AM

DOCUMENT NO. 21-033476-001

SHEET 1 OF 1

REV. A

Eng PDM Information For Reference Only

REVISION A

REVISION A

REVISION 3

REV. A

SHEET 1 OF 1

DOCUMENT NO. 21-033476-001