

REV. A	SHEET 1 OF 1	DOCUMENT NO. 21-033591-021
REVISIONS M		
LTR	DESCRIPTION	DATE
A	INITIAL RELEASE	

21-033591-021

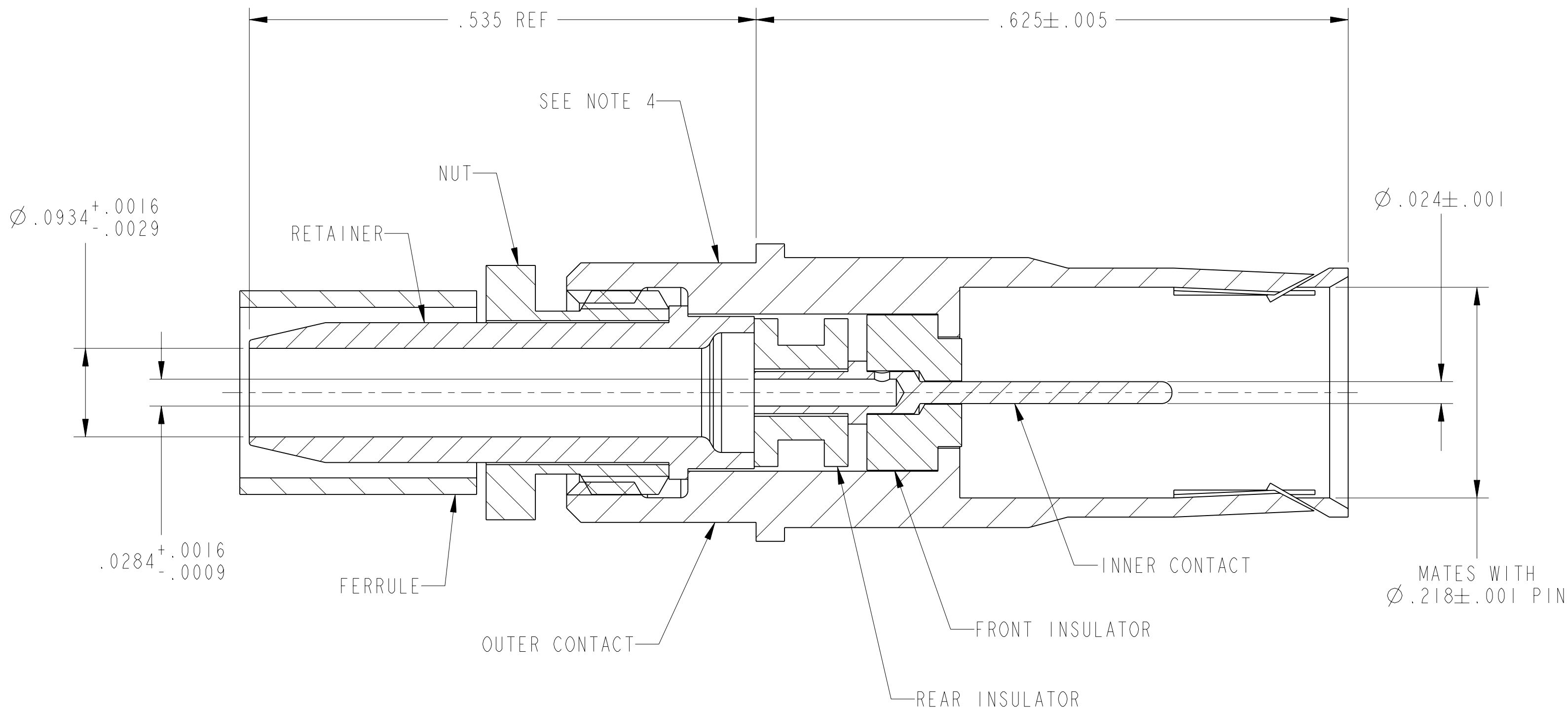
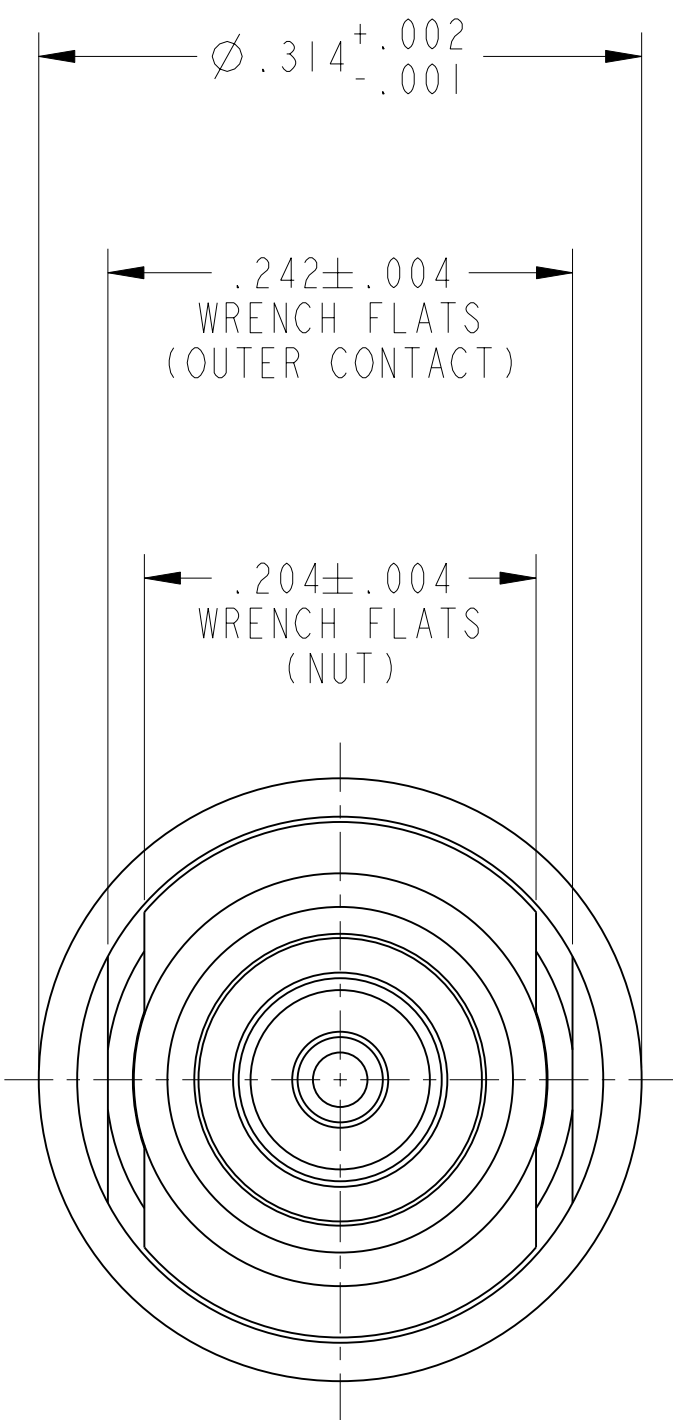
SHEET 1 OF 1

REV. A

C

B

A



5. FOR USE WITH COAX CABLE PIC V76261 OR EQUIVALENT.
4. BLACK INK STAMP TRADEMARK PER 9-6700, TYPE IV, PER 9-7530 OR 9-3856-5 IN APPROX POSITON SHOWN ON THE OUTER CONTACT. TRADEMARK DIRECTION OPTIONAL AND MAY BE SOLID.
3. MATES WITH 21-033592-() & 21-033599-() COAX CONTACTS ONLY.
2. DRAWING ILLUSTRATES FINAL ASSEMBLY. COMPONENTS ARE SHIPPED UNASSEMBLED. COMPLETE INSTALLATION INSTRUCTIONS ARE PACKAGED WITH EACH ASSEMBLY.

1. PROCESS SPEC:
9-6700, 9-7530, 9-3856-5.

NOTES:

THE USE OF THIS DOCUMENT IS UNLIMITED. HOWEVER, DOCUMENTS REFERENCED HEREON MAY CONTAIN LIMITED RIGHTS DATA.

N/A	NEXT ASSEMBLY
-----	---------------

PRO/ENGINEER INFORMATION Pro/e Model Used: 21-033591-021.ASSEM Drawing Name: 21-033591-021
--

UNLESS OTHERWISE SPECIFIED	SPECIFICATIONS	POS	QTY	PART NUMBER	DESCRIPTION	NOTE																																	
LINEAR DIMENSIONS ARE IN INCHES TOLERANCES: .XXXX = ±.0005 ANGLES= ±2° .XXX = ±.010 .XX = ±.03 .X = ±.1 DIM. & TOL. PER ASME Y14.5M; DRM PER MIL-DTL-31000; OTHER Amphenol Stds. PER 9-3800 LEGENDS: =FLAG NOTE CALL OUT REFERENCE ONLY	MATERIAL SPEC. N/A	<table border="1"> <tr> <th colspan="2">APPROVALS</th> <th>DATE</th> <th colspan="3">PARTS LIST</th> </tr> <tr> <td>PREPARED BY</td> <td>LRATCHFORD</td> <td rowspan="4">17-Sep-14</td> <td colspan="3" rowspan="4"> AMPHENOL CORPORATION 40-60 DELAWARE AVENUE SIDNEY, N.Y. 13858 CONTACT, SOCKET, COAXIAL, SIZE 8, ELECTRICAL CONNECTOR, TYPE TV-R, 75 OHM, SPECIAL </td> </tr> <tr> <td>ENGINEER IN CHARGE</td> <td>LRATCHFORD</td> </tr> <tr> <td>DESIGN MANAGER</td> <td>SHEPLER</td> </tr> <tr> <td>DESIGN ACTIVITY GROUP</td> <td>MIL-AERO</td> </tr> <tr> <td>PROCESS SPEC. SEE NOTE 1</td> <td>THIRD ANGLE PROJECTION</td> <td colspan="5"> <table border="1"> <tr> <td>SIZE C</td> <td>CAGE CODE 77820</td> <td>DOCUMENT NO. 21-033591-021</td> <td>REV. A</td> </tr> <tr> <td colspan="2">SCALE: 10:0</td> <td>REF. 21-033591-001</td> <td>SHEET 1 OF 1</td> </tr> </table> </td> </tr> </table>					APPROVALS		DATE	PARTS LIST			PREPARED BY	LRATCHFORD	17-Sep-14	AMPHENOL CORPORATION 40-60 DELAWARE AVENUE SIDNEY, N.Y. 13858 CONTACT, SOCKET, COAXIAL, SIZE 8, ELECTRICAL CONNECTOR, TYPE TV-R, 75 OHM, SPECIAL			ENGINEER IN CHARGE	LRATCHFORD	DESIGN MANAGER	SHEPLER	DESIGN ACTIVITY GROUP	MIL-AERO	PROCESS SPEC. SEE NOTE 1	THIRD ANGLE PROJECTION	<table border="1"> <tr> <td>SIZE C</td> <td>CAGE CODE 77820</td> <td>DOCUMENT NO. 21-033591-021</td> <td>REV. A</td> </tr> <tr> <td colspan="2">SCALE: 10:0</td> <td>REF. 21-033591-001</td> <td>SHEET 1 OF 1</td> </tr> </table>					SIZE C	CAGE CODE 77820	DOCUMENT NO. 21-033591-021	REV. A	SCALE: 10:0		REF. 21-033591-001	SHEET 1 OF 1
	APPROVALS						DATE	PARTS LIST																															
PREPARED BY	LRATCHFORD	17-Sep-14	AMPHENOL CORPORATION 40-60 DELAWARE AVENUE SIDNEY, N.Y. 13858 CONTACT, SOCKET, COAXIAL, SIZE 8, ELECTRICAL CONNECTOR, TYPE TV-R, 75 OHM, SPECIAL																																				
ENGINEER IN CHARGE	LRATCHFORD																																						
DESIGN MANAGER	SHEPLER																																						
DESIGN ACTIVITY GROUP	MIL-AERO																																						
PROCESS SPEC. SEE NOTE 1	THIRD ANGLE PROJECTION	<table border="1"> <tr> <td>SIZE C</td> <td>CAGE CODE 77820</td> <td>DOCUMENT NO. 21-033591-021</td> <td>REV. A</td> </tr> <tr> <td colspan="2">SCALE: 10:0</td> <td>REF. 21-033591-001</td> <td>SHEET 1 OF 1</td> </tr> </table>					SIZE C	CAGE CODE 77820	DOCUMENT NO. 21-033591-021	REV. A	SCALE: 10:0		REF. 21-033591-001	SHEET 1 OF 1																									
SIZE C	CAGE CODE 77820	DOCUMENT NO. 21-033591-021	REV. A																																				
SCALE: 10:0		REF. 21-033591-001	SHEET 1 OF 1																																				

FORMAT: C-U-E-1

RELEASED / Sep. 25 2014, 11:41:27 AM

21-033591-021

SHEET 1 OF 1

REV. A

REVISION 0

REVISION A

Eng. PDM Information For Reference Only

REV. A

SHEET 1 OF 1

21-033591-021