

| | | |
|-------------|-----------------|----------------------------|
| REV. A | SHEET 1 OF 1 | DOCUMENT NO. 21-033591-031 |
| REVISIONS M | | |
| LTR | DESCRIPTION | DATE |
| A | INITIAL RELEASE | |

21-033591-031

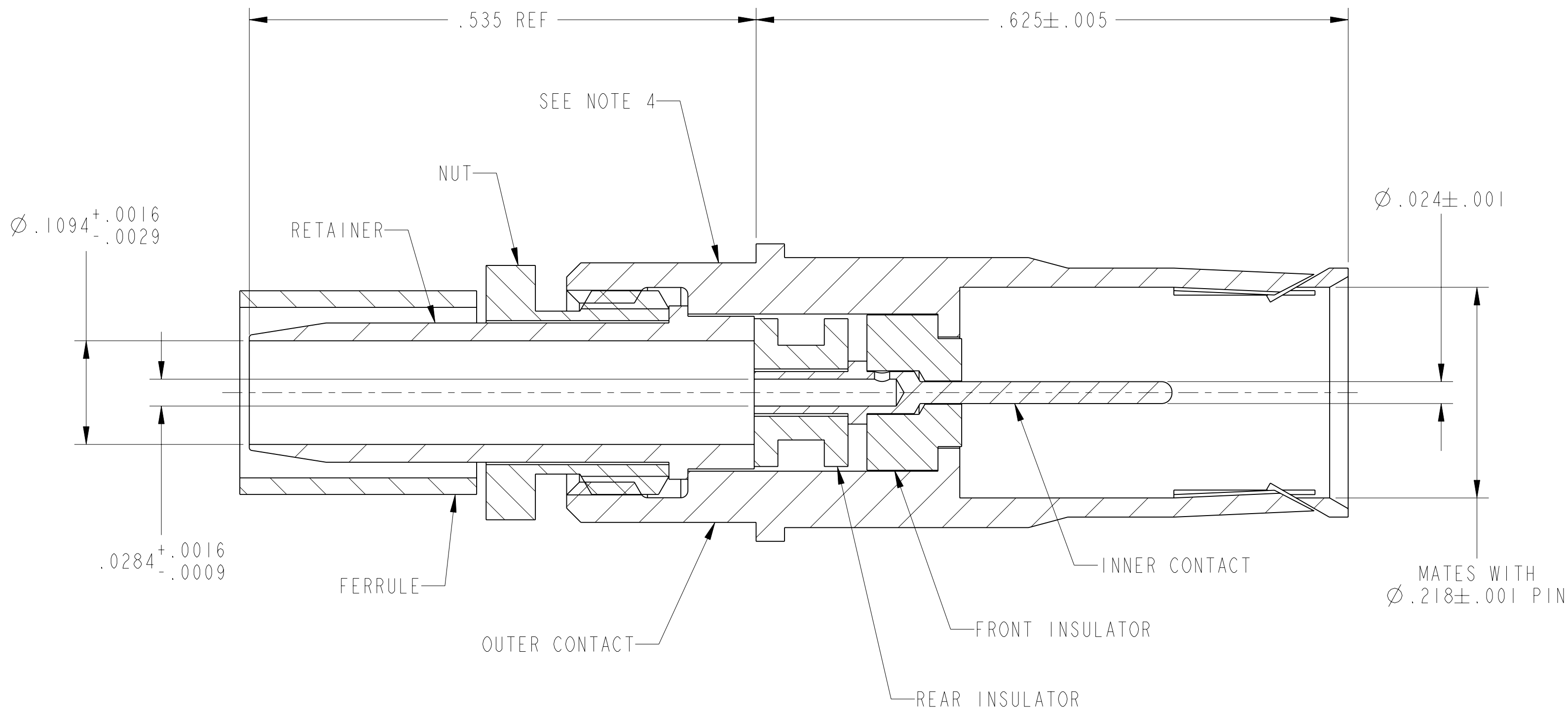
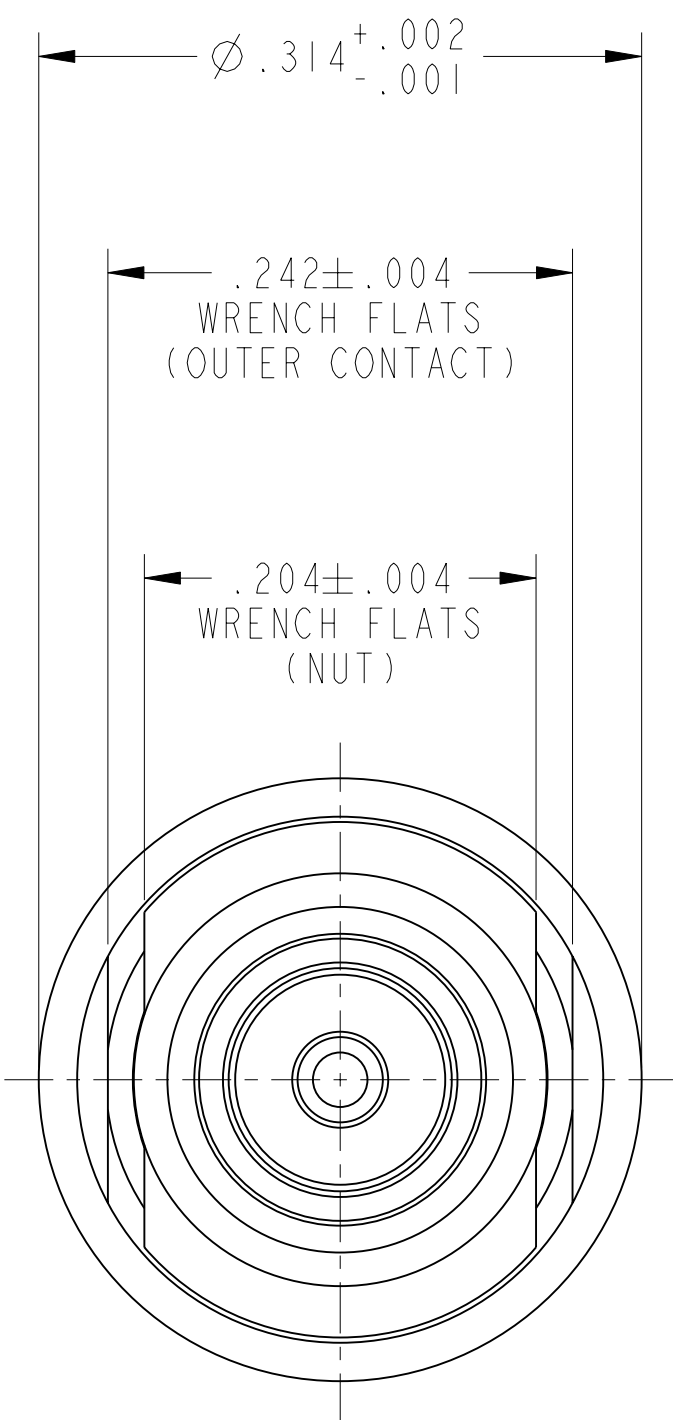
SHEET 1 OF 1

REV. A

C

B

A



- 6. PIGGYBACK SEALING BOOT INCLUDED WITH CONTACT (NOT ILLUSTRATED).
- 5. FOR USE WITH COAX CABLE BELDEN 1855A OR EQUIVALENT.
- 4. BLACK INK STAMP TRADEMARK PER 9-6700, TYPE IV, PER 9-7530 OR 9-3856-5 IN APPROX POSITON SHOWN ON THE OUTER CONTACT. TRADEMARK DIRECTION OPTIONAL AND MAY BE SOLID.
- 3. MATES WITH 21-033592-() & 21-033599-() COAX CONTACTS ONLY.
- 2. DRAWING ILLUSTRATES FINAL ASSEMBLY. COMPONENTS ARE SHIPPED UNASSEMBLED. COMPLETE INSTALLATION INSTRUCTIONS ARE PACKAGED WITH EACH ASSEMBLY.

1. PROCESS SPEC:
9-6700, 9-7530, 9-3856-5.

NOTES:

THE USE OF THIS DOCUMENT IS UNLIMITED. HOWEVER, DOCUMENTS REFERENCED HEREON MAY CONTAIN LIMITED RIGHTS DATA.

RELEASED / Apr . 30 2015, 4:04:47 PM

21-033591-031

SHEET 1 OF 1

REV. A

N/A

NEXT ASSEMBLY

PRO/ENGINEER INFORMATION
Pro/e Model Used:
21-033591-031.ASSEM
Drawing Name:
21-033591-031

| UNLESS OTHERWISE SPECIFIED | SPECIFICATIONS | POS | QTY | PART NUMBER | DESCRIPTION | NOTE |
|--|--|---|--------------------|----------------------------|-------------|------|
| LINEAR DIMENSIONS ARE IN INCHES TOLERANCES: .XXXX = ±.0005 ANGLES= ±2° .XXX = ±.010 .XX = ±.03 .X = ±.1 | MATERIAL SPEC. N/A | PARTS LIST | | | | |
| DIM. & TOL. PER ASME Y14.5M; DRM PER MIL-DTL-31000; OTHER Amphenol Stds. PER 9-3800 | PROCESS SPEC. SEE NOTE 1 | <p>APPROVALS</p> <p>PREPARED BY: LRATCHFORD ENGINEER IN CHARGE: LRATCHFORD DESIGN MANAGER: SHEPLER DESIGN ACTIVITY GROUP: MIL-AERO</p> <p>DATE: 27-Apr-15</p> <p>THIRD ANGLE PROJECTION</p> | | | | |
| LEGENDS: = FLAG NOTE CALL OUT REFERENCE ONLY | <p>AMPHENOL CORPORATION 40-60 DELAWARE AVENUE SIDNEY, N.Y. 13858</p> <p>CONTACT, SOCKET, COAXIAL, SIZE 8, ELECTRICAL CONNECTOR, TYPE TV-R, 75 OHM, SPECIAL</p> | | | | | |
| | | SIZE C | CAGE CODE 77820 | DOCUMENT NO. 21-033591-031 | REV. A | |
| | | SCALE: 10:0 | REF. 21-033591-021 | SHEET 1 OF 1 | | |

FORMAT: C-0, E-1

Eng. PDM Information For Reference Only

SHEET 1 OF 1

21-033591-031