

REV. A		DOCUMENT NO. 100-26592-01	
SHEET 1 OF 1		21-033592-001	
REVISIONS			
LTR	DESCRIPTION	DATE	
A	INITIAL RELEASE		

21-033592-001

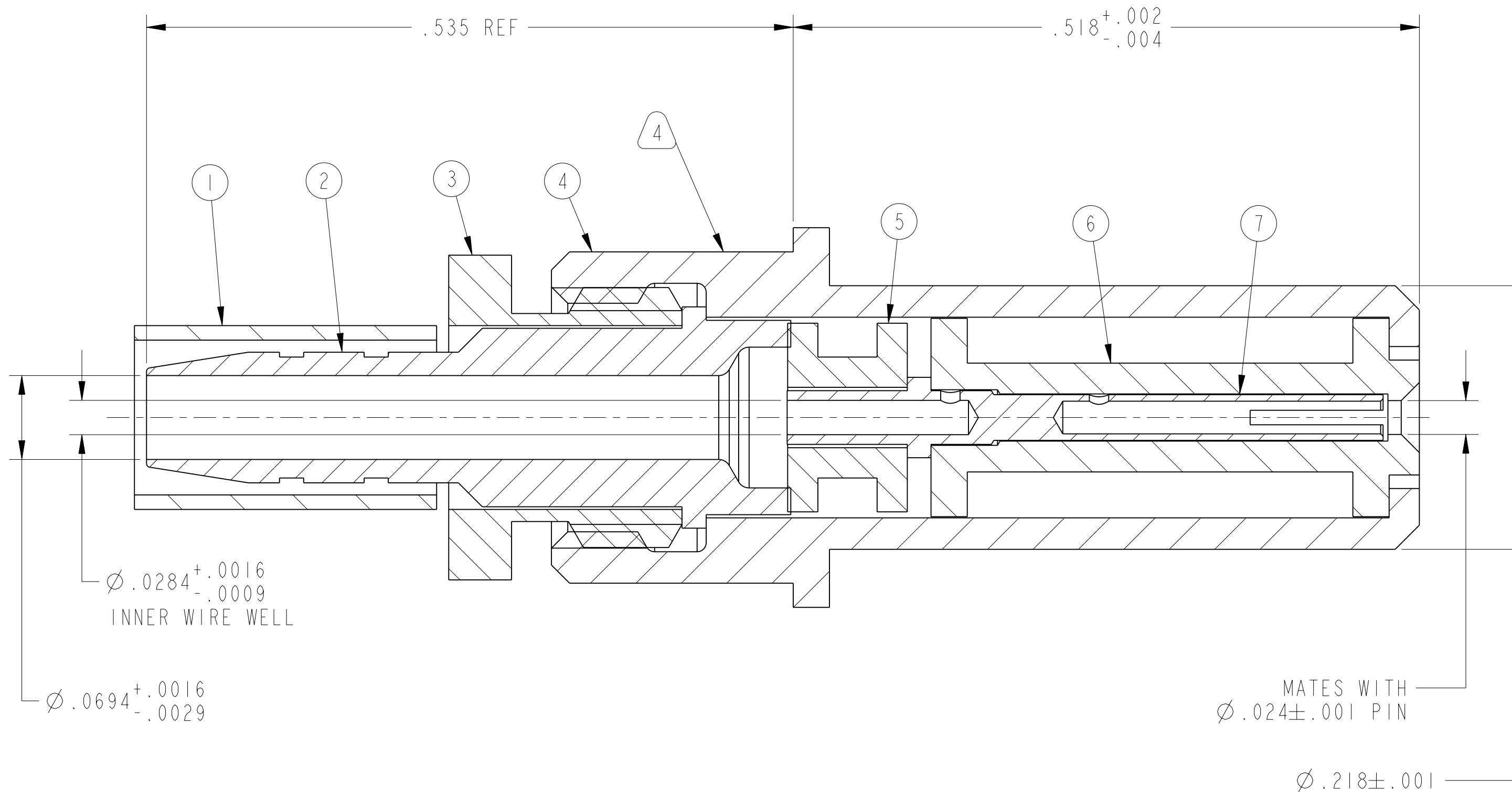
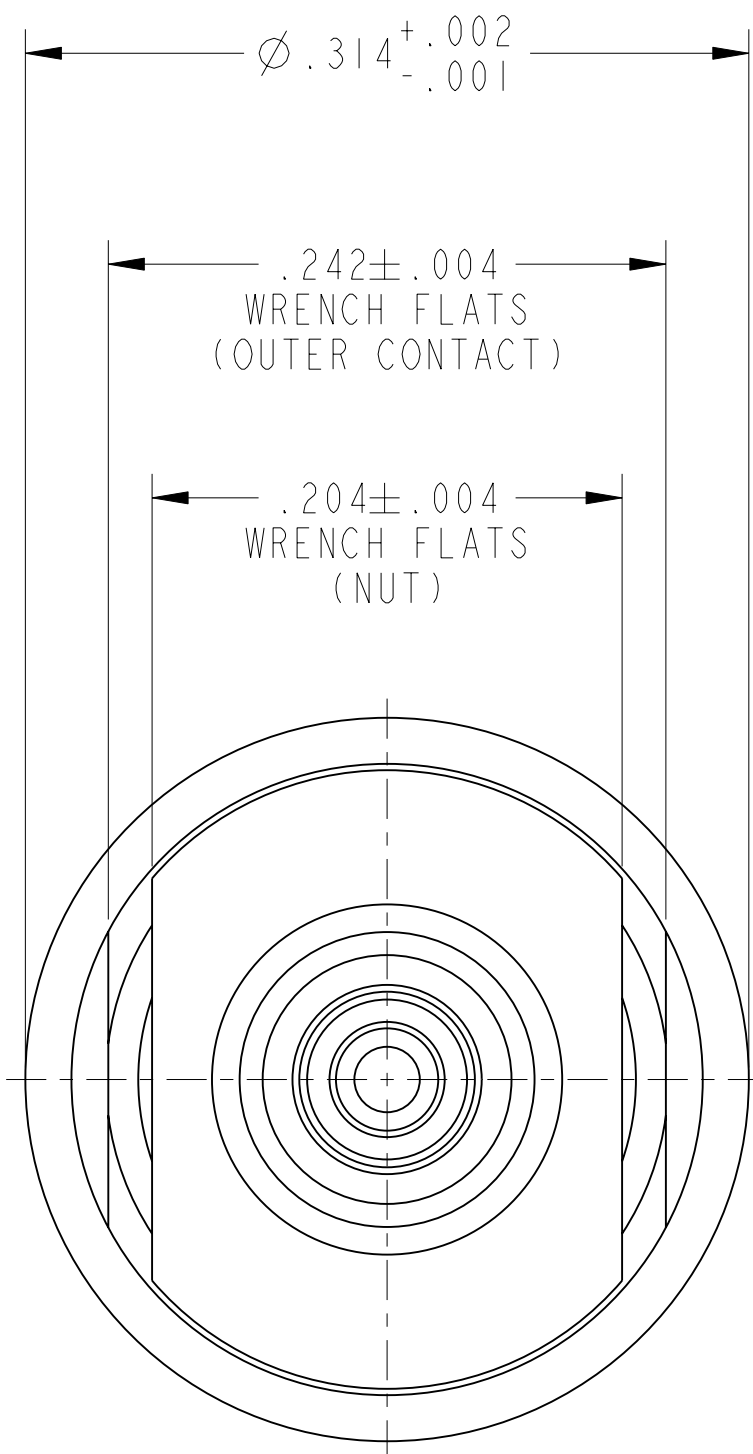
SHEET 1 OF 1

REV. A

C

B

A



- 6. MATES WITH 21-33591-() & 21-033590-() COAX CONTACTS ONLY.
- 5. FOR USE WITH COAX CABLE MI7/094-RG179 OR EQUIVALENT.
- 4. BLACK INK STAMP TRADEMARK PER 9-6700, TYPE IV, PER 9-7530 OR 9-3856-5 IN APPROX POSITON SHOWN ON THE OUTER CONTACT. TRADEMARK DIRECTION OPTIONAL AND MAY BE SOLID.
- 3. INDICATED ITEM NOT ILLUSTRATED.
- 2. DRAWING ILLUSTRATES FINAL ASSEMBLY. COMPLETE INSTALLATION INSTRUCTIONS (F/N 9) ARE PACKAGED WITH EACH ASSEMBLY. PACKAGE PER PRODUCTION PROCESS SHEET.

1. PROCESS SPEC:
9-6700, 9-7530, 9-3856-5.

NOTES:

THE USE OF THIS DOCUMENT IS UNLIMITED. HOWEVER, DOCUMENTS REFERENCED HEREON MAY CONTAIN LIMITED RIGHTS DATA.

RELEASED / Oct . 02 2013, 3:05:44 PM
DOCUMENT NO. 21-033592-001
SHEET 1 OF 1
REV. A

N/A
NEXT ASSEMBLY

PRO/ENGINEER INFORMATION
Pro/e Model Used:
21-033592-001.ASSEM
Drawing Name:
21-033592-001

UNLESS OTHERWISE SPECIFIED	SPECIFICATIONS
LINEAR DIMENSIONS ARE IN INCHES TOLERANCES: .XXXX = ±.0005 ANGLES= ±2° .XXX = ±.010 .XX = ±.03 .X = ±.1	MATERIAL SPEC. N/A
DIM. & TOL. PER ASME Y14.5M; DRM PER MIL-DTL-31000; OTHER Amphenol Stds. PER 9-3800	PROCESS SPEC. SEE NOTE 1
LEGENDS: = FLAG NOTE CALL OUT REFERENCE ONLY	

POS	QTY	PART NUMBER	DESCRIPTION	NOTE
9	1	L-1107-AN	INSTALLATION INSTRUCTIONS	2, 3
8	1	21-033321-007	PIGGYBACK SEAL	3
7	1	21-033592-004	INNER CONTACT	
6	1	21-033592-003	FRONT INSULATOR	
5	1	21-033591-022	BACK INSULATOR	
4	1	21-000460-085	OUTER CONTACT	4
3	1	21-001552-085	NUT	
2	1	21-033148-004	RETAINER	
1	1	10-092703-145	FERRULE	

APPROVALS

PREPARED BY	RATCHFORD	DATE	20-Aug-13
ENGINEER IN CHARGE	RATCHFORD		
DESIGN MANAGER	SHEPLER		
DESIGN ACTIVITY GROUP	MIL AERO		

THIRD ANGLE PROJECTION

PARTS LIST

AMPHENOL CORPORATION
40-60 DELAWARE AVENUE
SIDNEY, N.Y. 13858

**CONTACT, PIN, COAXIAL, SIZE 8,
ELECTRICAL CONNECTOR,
TYPE TV-R, 75 OHM, SPECIAL**

SIZE	CAGE CODE	DOCUMENT NO.	REV.
C	77820	21-033592-001	A

SCALE: 10:0 REF 21-33476-1 SHEET 1 OF 1

Eng. PDM Information For Reference Only
REVISION A
VERSION 1

SHEET 1 OF 1

21-033592-001