

REV. A	SHEET 1 OF 1	DOCUMENT NO. 21-033592-021
REVISIONS M		
LTR	DESCRIPTION	DATE
A	INITIAL RELEASE	

21-033592-021

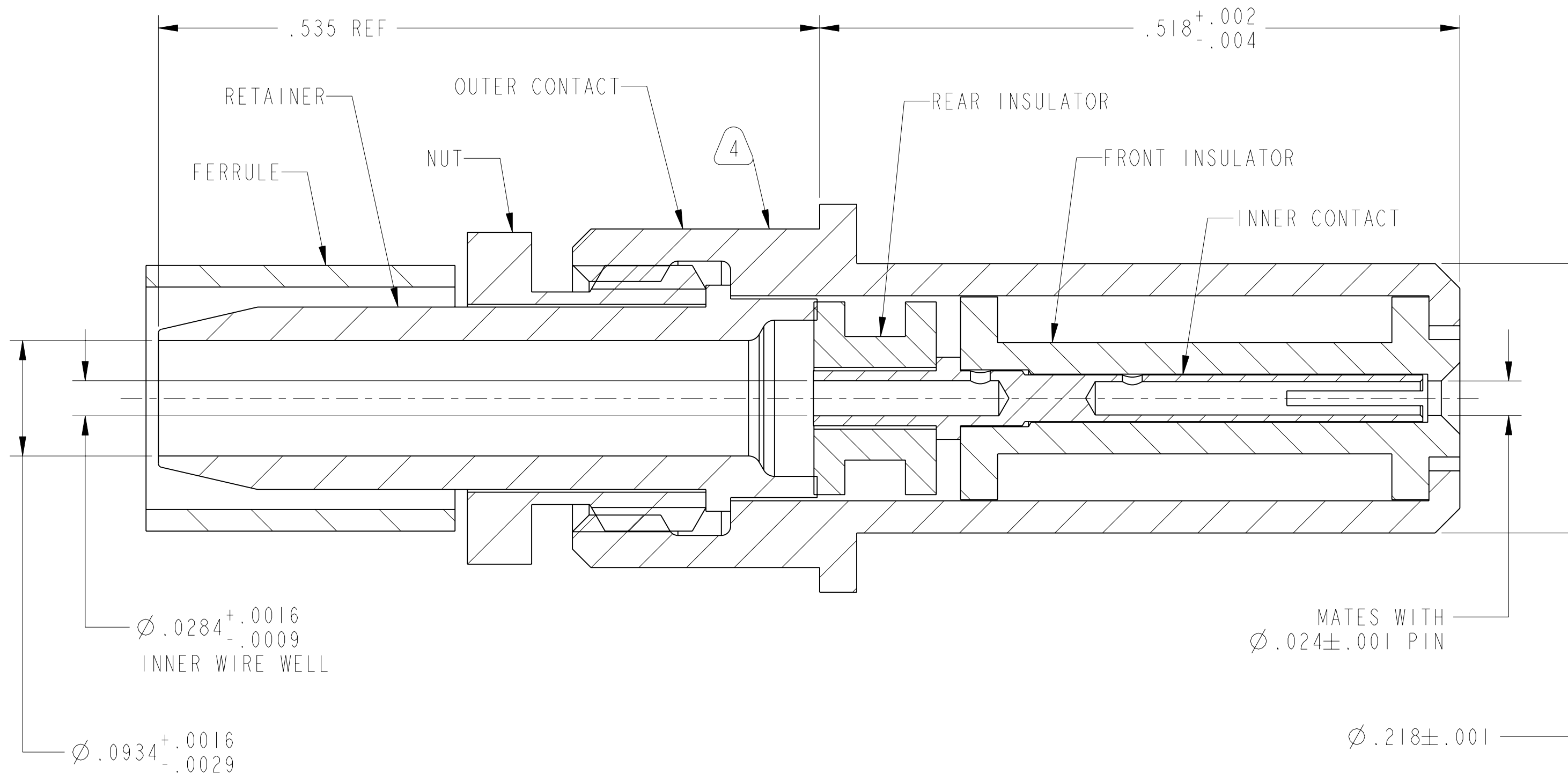
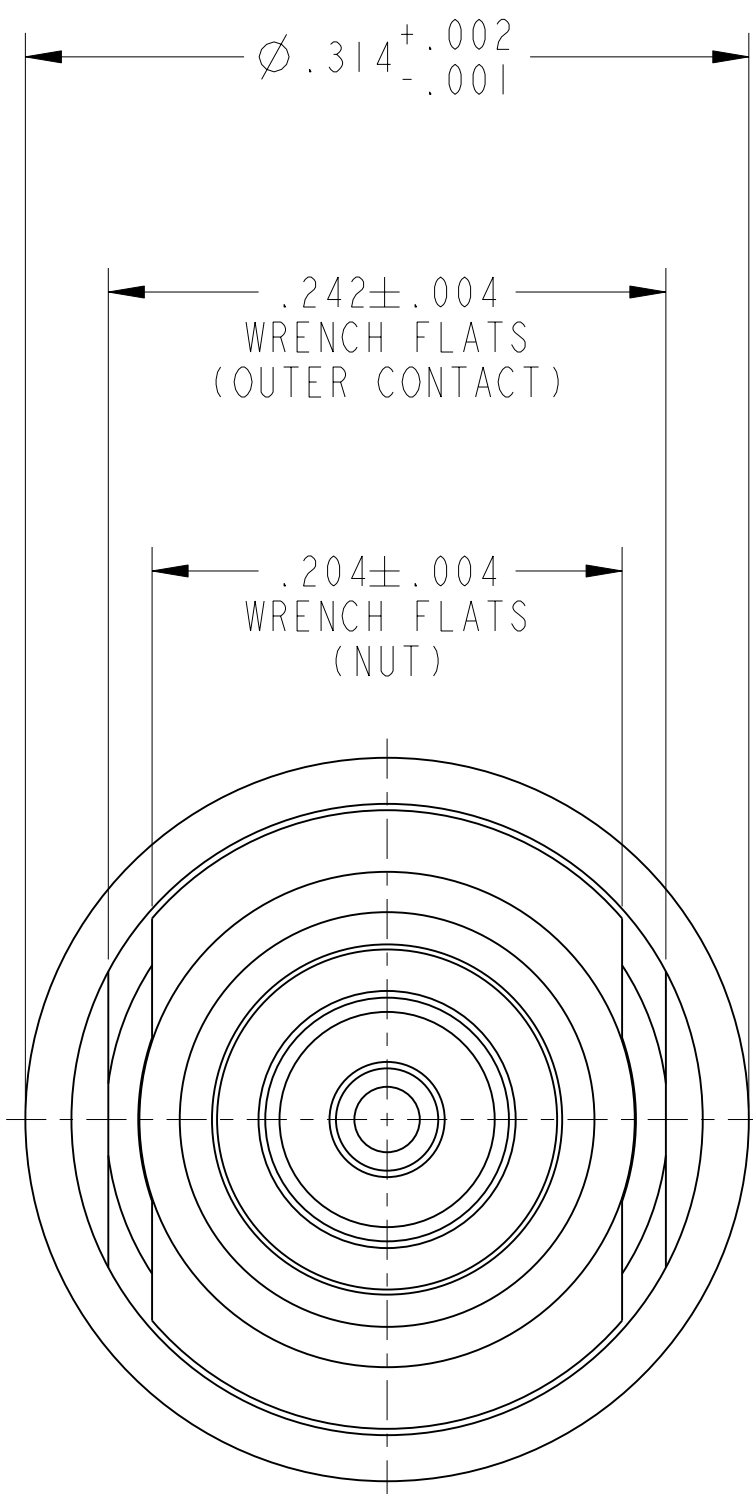
SHEET 1 OF 1

REV. A

C

B

A



4. TRADEMARK STAMPING SHALL BE PRESENT IN THE APPROXIMATE LOCATION.
3. MATES WITH 21-033591-() & 21-033590-() COAX CONTACTS ONLY.
2. DRAWING ILLUSTRATES FINAL ASSEMBLY. COMPLETE INSTALLATION INSTRUCTIONS & PIGGYBACK SEAL ARE PACKAGED WITH EACH ASSEMBLY (NOT ILLUSTRATED).
1. FOR USE WITH COAX CABLE PIC V76261 OR EQUIVALENT.

NOTES:

THE USE OF THIS DOCUMENT IS UNLIMITED. HOWEVER, DOCUMENTS REFERENCED HEREON MAY CONTAIN LIMITED RIGHTS DATA.

N/A
NEXT ASSEMBLY

PRO/ENGINEER INFORMATION
 Pro/e Model Used:
 21-033592-021.ASSEM
 Drawing Name:
 21-033592-021

UNLESS OTHERWISE SPECIFIED	SPECIFICATIONS	POS	QTY	PART NUMBER	DESCRIPTION	NOTE
LINEAR DIMENSIONS ARE IN INCHES TOLERANCES: .XXXX = ±.0005 ANGLES= ±2° .XXX = ±.010 .XX = ±.03 .X = ±.1 DIM. & TOL. PER ASME Y14.5M; DRM PER MIL-DTL-31000; OTHER Amphenol Stds. PER 9-3800 LEGENDS: =FLAG NOTE CALL OUT REFERENCE ONLY	MATERIAL SPEC. N/A	APPROVALS		DATE	PARTS LIST	
	PROCESS SPEC. N/A	PREPARED BY RATCHFORD ENGINEER IN CHARGE RATCHFORD DESIGN MANAGER J. PAUL DESIGN ACTIVITY GROUP MIL AERO	20-Aug-13	AMPHENOL CORPORATION 40-60 DELAWARE AVENUE SIDNEY, N.Y. 13858 CONTACT, PIN, COAXIAL, SIZE 8, ELECTRICAL CONNECTOR, TYPE TV-R, 75 OHM, SPECIAL		
		THIRD ANGLE PROJECTION		SIZE C	CAGE CODE 77820	DOCUMENT NO. 21-033592-021
				SCALE: 10.0	REF. 21-033592-031	SHEET 1 OF 1

Eng PDM Information For Reference Only

SHEET 1 OF 1

21-033592-021