

REV. A	SHEET 1 OF 1	DOCUMENT NO. 21-033592-031
REVISIONS M		
LTR	DESCRIPTION	DATE
A	INITIAL RELEASE	----

21-033592-031

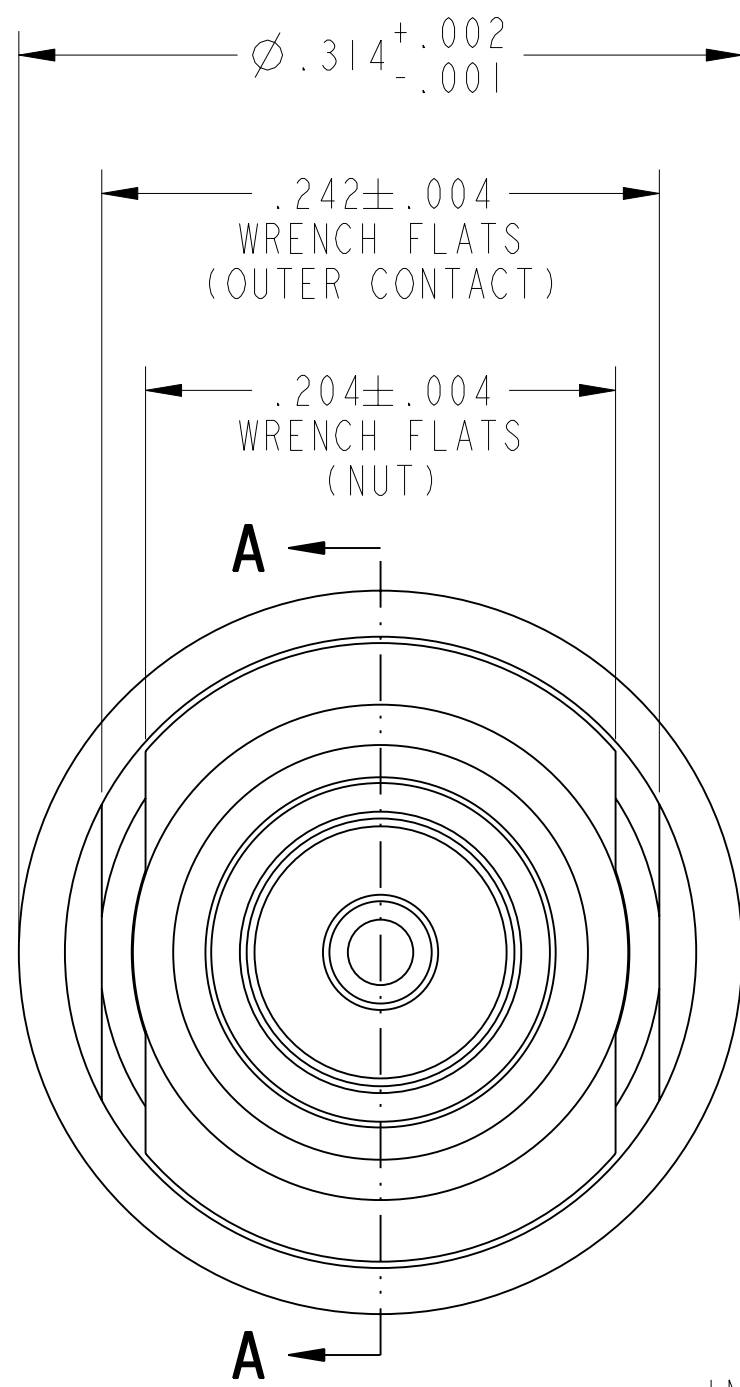
SHEET 1 OF 1

REV. A

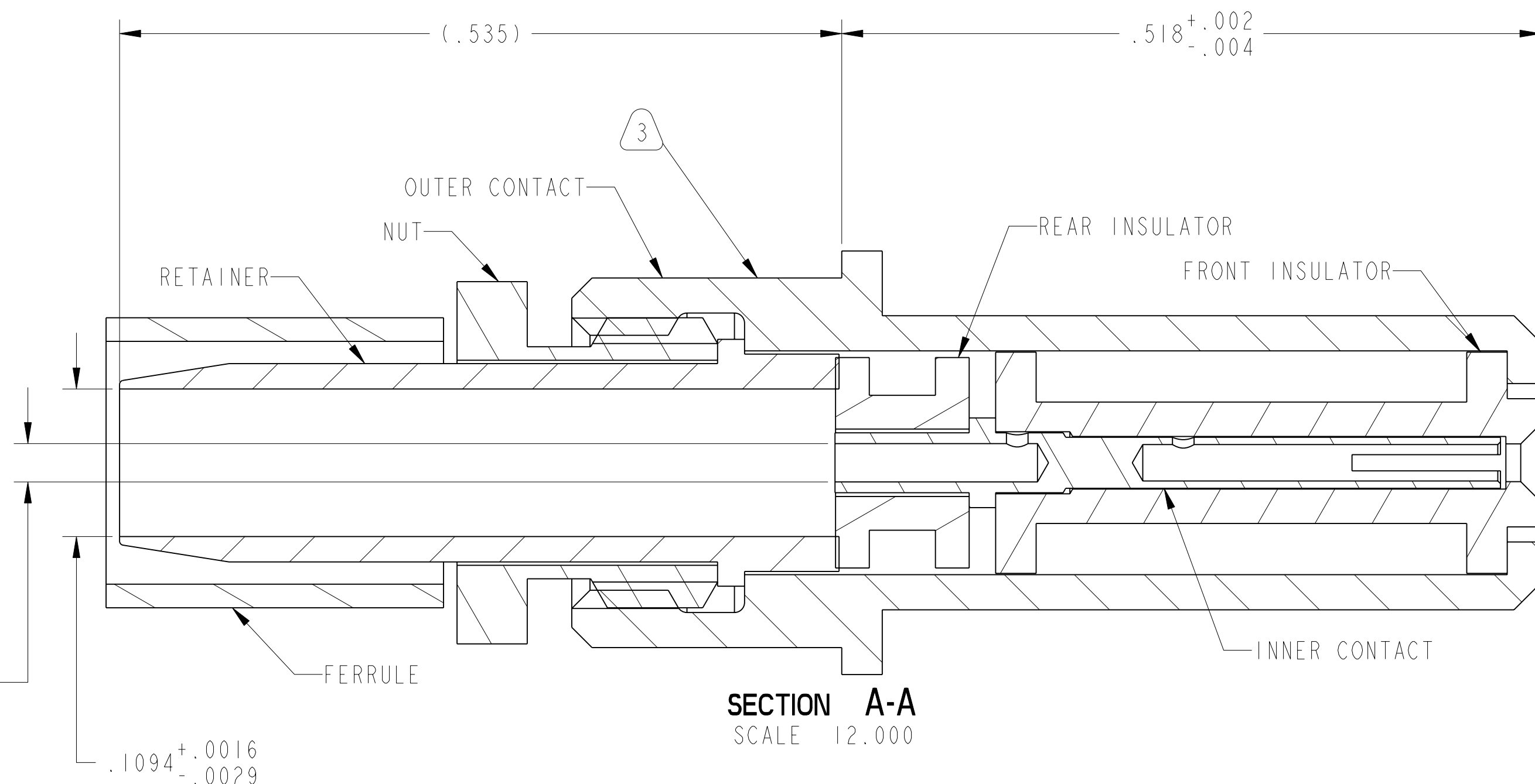
C

B

A



.0284⁺.0016
_{-.0029}
 INNER WIRE WELL



SECTION A-A
 SCALE 12.000

5. MATES WITH 21-033591-() & 21-033590-() COAX CONTACTS ONLY.
4. FOR USE WITH COAX CABLE BELDEN 1855A OR EQUIVALENT.
3. BLACK INK STAMP TRADEMARK IN APPROX POSITON SHOWN ON THE OUTER CONTACT. TRADEMARK DIRECTION OPTIONAL AND MAY BE SOLID.
2. INSTRUCTIONS & PIGGYBACK SEAL NOT ILLUSTRATED.
1. DRAWING ILLUSTRATES FINAL ASSEMBLY. COMPLETE INSTALLATION INSTRUCTIONS ARE PACKAGED WITH EACH ASSEMBLY.

NOTES:

THE USE OF THIS DOCUMENT IS UNLIMITED. HOWEVER, DOCUMENTS REFERENCED HEREON MAY CONTAIN LIMITED RIGHTS DATA.

RELEASED / Apr . 06 2015, 1:17:30 PM

DOCUMENT NO. 21-033592-031

SHEET 1 OF 1

REV. A

N/A

NEXT ASSEMBLY

PRO/ENGINEER INFORMATION

Pro/e Model Used:
 21-033592-031.ASSEM
 Drawing Name:
 21-033592-031

UNLESS OTHERWISE SPECIFIED	SPECIFICATIONS	POS	QTY	PART NUMBER	DESCRIPTION	NOTE
LINEAR DIMENSIONS ARE IN INCHES TOLERANCES: .XXXX = ±.0005 ANGLES= ±2° .XXX = ±.010 .XX = ±.03 .X = ±.1 DIM. & TOL. PER ASME Y14.5M; DRM PER MIL-DTL-31000; OTHER Amphenol Stds. PER 9-3800 LEGENDS: =FLAG NOTE CALL OUT REFERENCE ONLY	MATERIAL SPEC.	APPROVALS		PARTS LIST		
	N/A	PREPARED BY B.SAMOWITZ	DATE 17-Mar-15	AMPHENOL CORPORATION 40-60 DELAWARE AVENUE SIDNEY, N.Y. 13838		
PROCESS SPEC.	N/A	ENGINEER IN CHARGE D.PHILLIPS	DESIGN MANAGER E.HICKEY	CONTACT, PIN, COAXIAL, SIZE 8, ELECTRICAL CONNECTOR, TYPE TV-R, 75 OHM, SPECIAL		
		THIRD ANGLE PROJECTION		SIZE C	CAGE CODE 77820	DOCUMENT NO. 21-033592-031
				SCALE: 10.0	REF. 21-033476-001	REV. A
				SHEET 1 OF 1		

D

C

0

A

Eng. PDM Information
 For Reference Only

REV. A

SHEET 1 OF 1

21-033592-031

REV. A