

REV. A	SHEET 1 OF 1	DOCUMENT NO. 21-033592-041
REVISIONS M		
LTR	DESCRIPTION	DATE
A	INITIAL RELEASE	----

21-033592-041

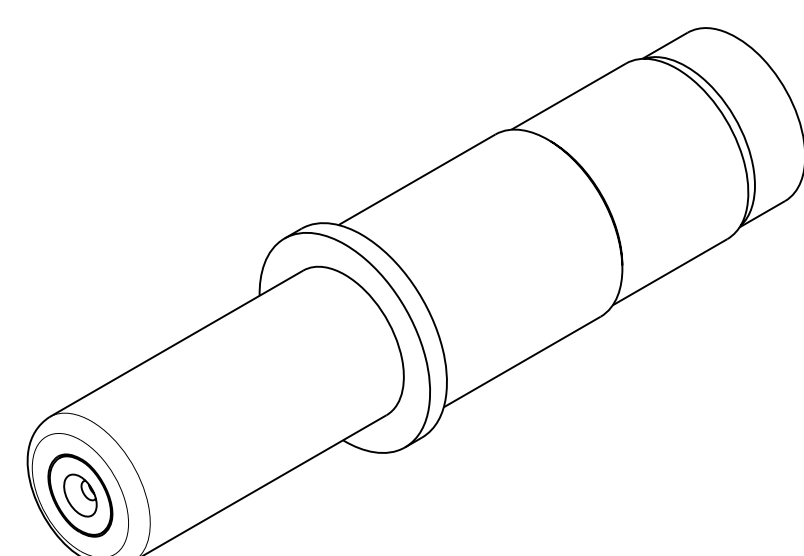
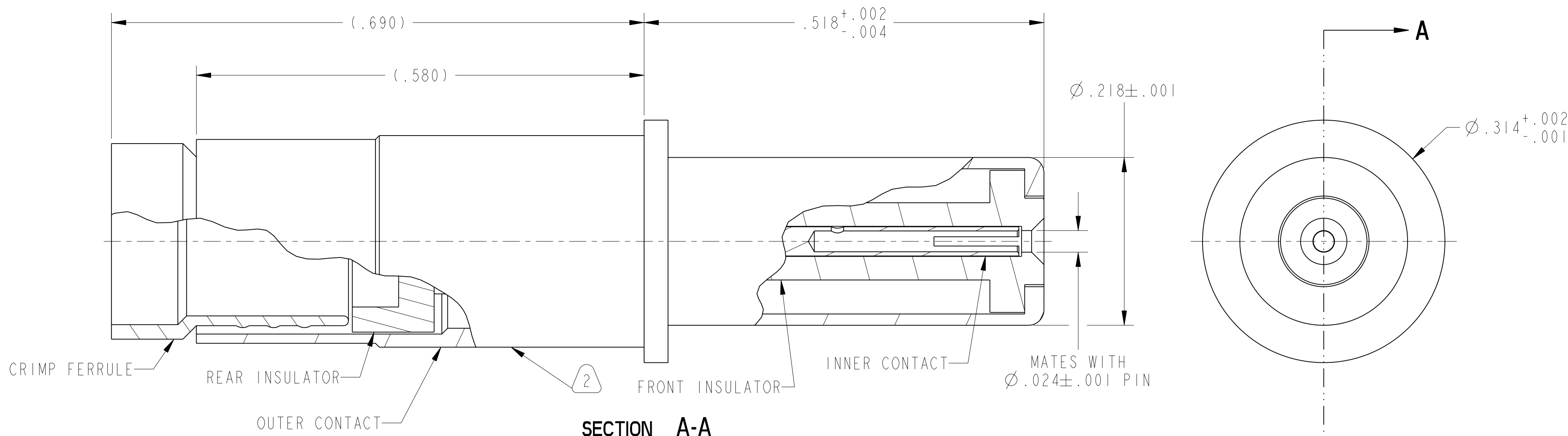
SHEET 1 OF 1

REV. A

C

B

A



4. MATES WITH 21-033591-() & 21-033590-() SIZE 8 COAX SOCKET CONTACTS ONLY.
3. FOR USE WITH COAX CABLE PIC V78209.
2. TRADEMARK SHALL BE INK STAMPED IN APPROX POSITION SHOWN ON THE OUTER CONTACT.
1. DRAWING ILLUSTRATES FINAL ASSEMBLY. COMPONENTS ARE SHIPPED UNASSEMBLED. COMPLETE INSTRUCTIONS ARE PACKAGED WITH EACH ASSEMBLY.

NOTES:

THE USE OF THIS DOCUMENT IS UNLIMITED. HOWEVER, DOCUMENTS REFERENCED HEREON MAY CONTAIN LIMITED RIGHTS DATA.

N/A NEXT ASSEMBLY

PRO/ENGINEER INFORMATION
 Pro/e Model Used:
 21-033592-041.ASSEM
 Drawing Name:
 21-033592-041

UNLESS OTHERWISE SPECIFIED	SPECIFICATIONS	POS	QTY	PART NUMBER	DESCRIPTION	NOTE
LINEAR DIMENSIONS ARE IN INCHES TOLERANCES: .XXXX = ±.0005 ANGLES= ±2° .XXX = ±.010 .XX = ±.03 .X = ±.1 DIM. & TOL. PER ASME Y14.5M; DRM PER MIL-DTL-31000; OTHER Amphenol Stds. PER 9-3800 LEGENDS: =FLAG NOTE CALL OUT REFERENCE ONLY	MATERIAL SPEC.	PARTS LIST				
	N/A	AMPHENOL CORPORATION <small>40-60 DELAWARE AVENUE SIDNEY, N.Y. 13858</small> CONTACT, PIN, COAXIAL, SIZE 8, ELECTRICAL CONNECTOR, TYPE LJT-R, 75 OHM				
PROCESS SPEC.	N/A	APPROVALS PREPARED BY B.SAMOWITZ ENGINEER IN CHARGE D.PHILLIPS DESIGN MANAGER E.HICKEY DESIGN ACTIVITY GROUP CI DATE 04-Feb-15 THIRD ANGLE PROJECTION		SIZE C CAGE CODE 77820 SCALE: 10.0		
				DOCUMENT NO. 21-033592-041 REF. 21-033102-044 SHEET 1 OF 1		REV. A

RELEASED / Feb . 19 2015, 2:38:44 PM

21-033592-041

SHEET 1 OF 1

REV. A

Eng. PDM Information For Reference Only

REV. A

SHEET 1 OF 1

21-033592-041

REV. A