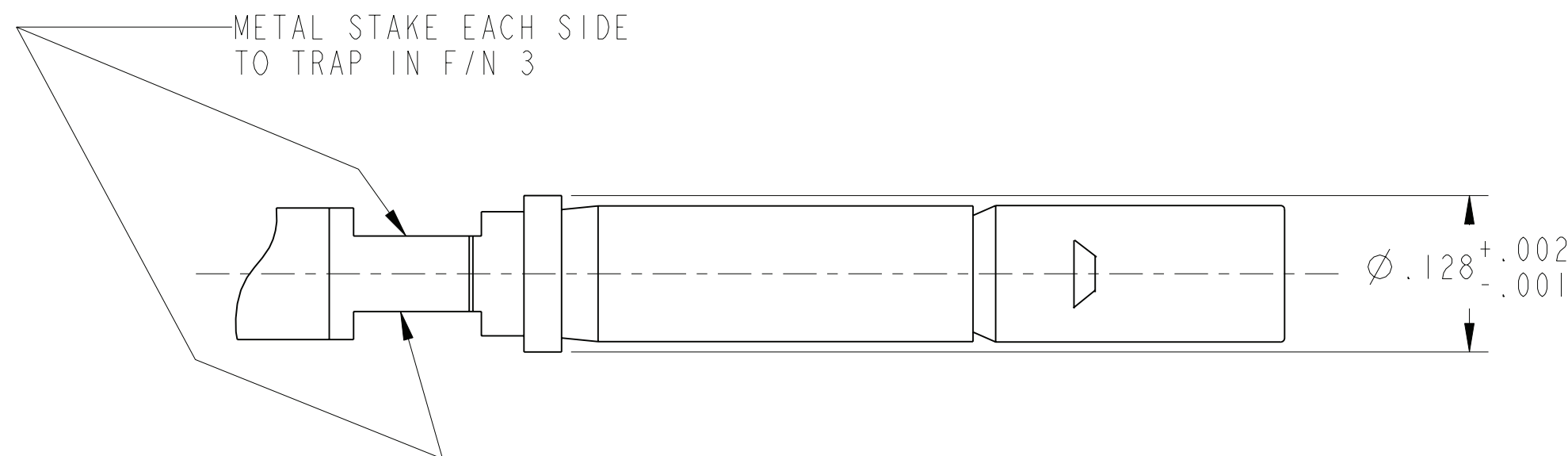
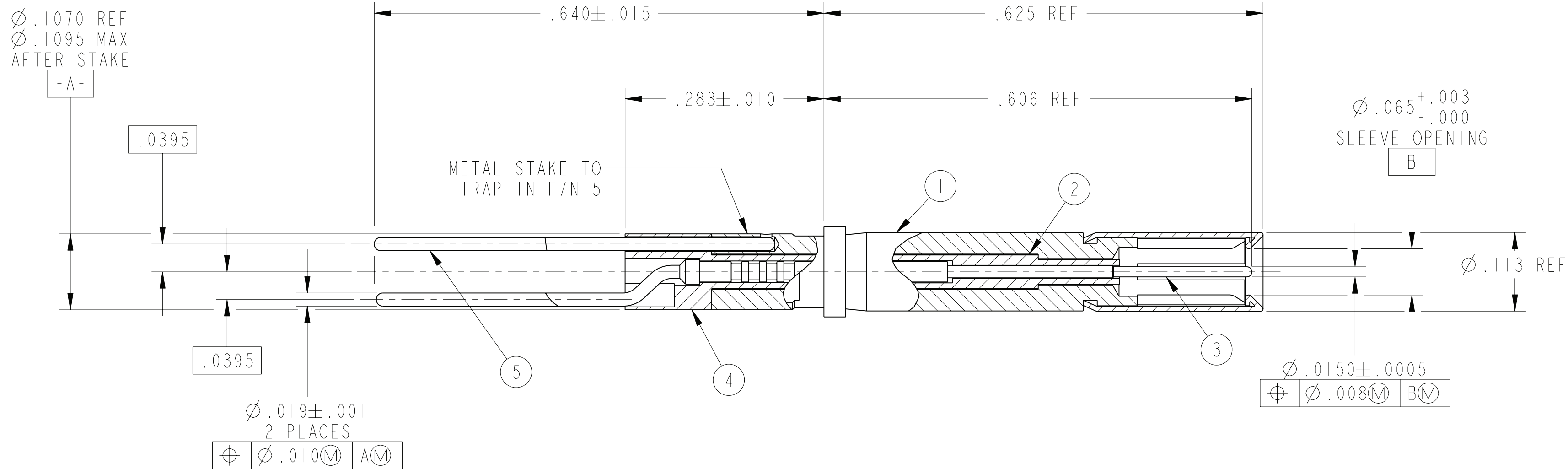


REV. B		SHEET 1 OF 1		DOCUMENT NO. 21-33610-1	
REVISIONS					
LTR	DESCRIPTION			DATE	
A	INITIAL RELEASE NUM: R2001-255			----	
B	(CL 11) SEE CHG NOTICE ECN: A8689-0000			6/15/10	



4. DIELECTRIC WITHSTANDING VOLTAGE TEST:

CONTACT ASSEMBLY 21-33610-1 SHALL MEET THE FOLLOWING REQUIREMENTS AFTER ASSEMBLY HAS BEEN COMPLETED.

- A. A TEST VOLTAGE OF 500 VOLTS AC RMS SHALL BE APPLIED BETWEEN THE INNER AND OUTER CONTACTS.
- B. THE VOLTAGE SHALL BE APPLIED FOR 2 SECONDS MINIMUM.
- C. THE LEAKAGE CURRENT SHALL NOT EXCEED 1 MILLIAMPERE.
- D. THERE SHALL BE NO EVIDENCE OF BREAKDOWN OR FLASHOVER.

3. PACKAGE PER PRODUCTION PROCESS SHEET.

HANDLE CAREFULLY TO AVOID DISTORTION OF PCB TAILS.

2. CLEANING OF PARTS IN CHLORINATED SOLVENTS IS NOT PERMISSIBLE.

1. MATES WITH COAXIAL PIN CONTACT SERIES 21-33122-56().

NOTES:

THE USE OF THIS DOCUMENT IS UNLIMITED. HOWEVER, DOCUMENTS REFERENCED HEREON MAY CONTAIN LIMITED RIGHTS DATA.

N/A
NEXT ASSEMBLY

PRO/ENGINEER INFORMATION
Pro/e Model Used:
21-033610-001.ASSEM
Drawing Name:
21-33610-1

UNLESS OTHERWISE SPECIFIED
SPECIFICATIONS
LINEAR DIMENSIONS ARE IN INCHES
TOLERANCES:
.XXXX = ±.0005 ANGLES= ±2°
.XXX = ±.010
.XX = ±.03
.X = ±.1
DIM. & TOL. PER ASME Y14.5M;
DRM PER MIL-DTL-31000;
OTHER Amphenol Stds. PER 9-3800
LEGENDS:
= FLAG NOTE CALL OUT REFERENCE ONLY

MATERIAL SPEC.
N/A
PROCESS SPEC.
N/A

POS	QTY	PART NUMBER	DESCRIPTION	NOTE
5	1	21-033620-005	PCB TAIL	
4	1	21-033620-004	REAR INSULATOR	
3	1	21-033620-003	INNER CONTACT	
2	1	21-000277-022	FRONT INSULATOR	
1	1	21-033620-001	OUTER CONTACT	

APPROVALS
PREPARED BY: RATCHFORD
ENGINEER IN CHARGE: L. RATCHFORD
DESIGN MANAGER: E. SHEPLER
DESIGN ACTIVITY GROUP: MIL-AERO
DATE: 18-Jun-01
THIRD ANGLE PROJECTION

PARTS LIST
AMPHENOL CORPORATION
40-60 DELAWARE AVENUE
SIDNEY, N.Y. 13858
**CONTACT, SOCKET, COAXIAL,
SIZE 16, PCB STYLE,
TYPE LJT-R**

SIZE: C
CAGE CODE: 77820
SCALE: 8.0

DOCUMENT NO.: 21-33610-1
REV. B

REF: 21-33857-3
SHEET 1 OF 1