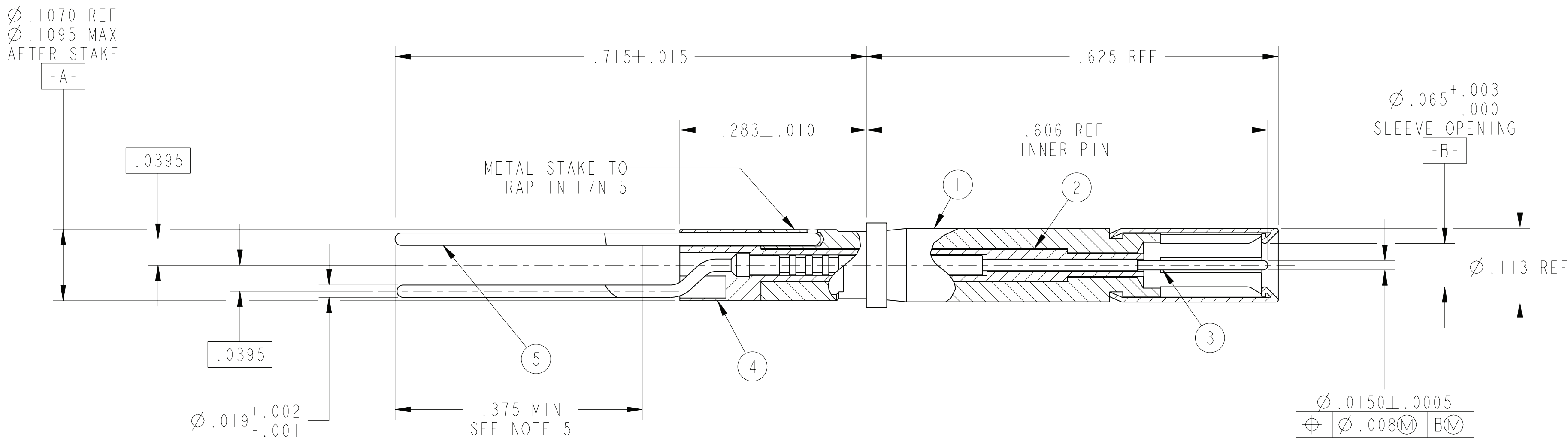
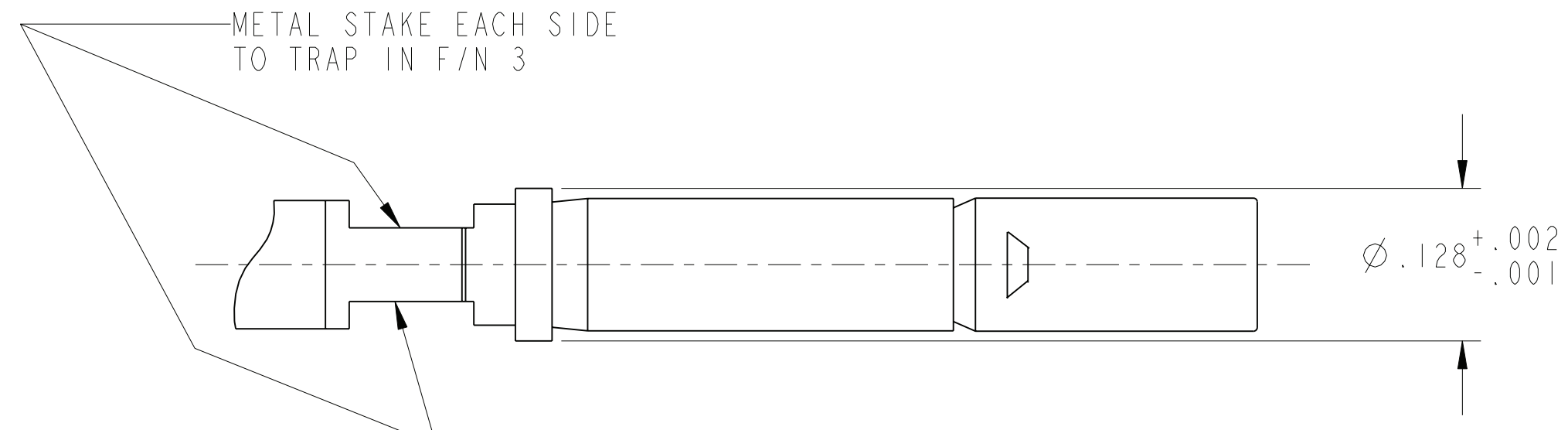


REV. B		SHEET 1 OF 1		21-33610-2	
REVISIONS					
LTR	DESCRIPTION	DATE			
A	INITIAL RELEASE	2/18/03			
B	(CL 11) SEE CHG NOTICE ECN: A8689-0000	6/15/10			



⊕	⊕ .019 ^{+0.002} / _{-.001}	AⓂ
2 PLACES AFTER PRETINNING		
⊕	⊕ .010Ⓜ	AⓂ

⊕	⊕ .0150±.0005	BⓂ
⊕	⊕ .008Ⓜ	BⓂ



5. PRETIN INDICATED LENGTH OF CONTACT TAILS PER 9-7894, EXCEPT FLUX REMOVAL PER 9-7187 ONLY.
4. DIELECTRIC WITHSTANDING VOLTAGE TEST:
 CONTACT ASSEMBLY 21-33610-2 SHALL MEET THE FOLLOWING REQUIREMENTS AFTER ASSEMBLY HAS BEEN COMPLETED.
- A. A TEST VOLTAGE OF 500 VOLTS AC RMS SHALL BE APPLIED BETWEEN THE INNER AND OUTER CONTACTS.
 - B. THE VOLTAGE SHALL BE APPLIED FOR 2 SECONDS MINIMUM.
 - C. THE LEAKAGE CURRENT SHALL NOT EXCEED 1 MILLIAMPERE.
 - D. THERE SHALL BE NO EVIDENCE OF BREAKDOWN OR FLASHOVER.

3. PACKAGE PER PRODUCTION PROCESS SHEET. HANDLE CAREFULLY TO AVOID DISTORTION OF PCB TAILS.
2. CLEANING OF PARTS IN CHLORINATED SOLVENTS IS NOT PERMISSIBLE.
1. MATES WITH COAXIAL PIN CONTACT SERIES 21-33122-56().

NOTES:

THE USE OF THIS DOCUMENT IS UNLIMITED. HOWEVER, DOCUMENTS REFERENCED HEREON MAY CONTAIN LIMITED RIGHTS DATA.

PRO/ENGINEER INFORMATION
 Pro/e Model Used:
 21-033610-002.ASSEM
 Drawing Name:
 21-33610-2

UNLESS OTHERWISE SPECIFIED

SPECIFICATIONS

LINEAR DIMENSIONS ARE IN INCHES
 TOLERANCES:
 .XXXX = ±.0005 ANGLES= ±2°
 .XXX = ±.010
 .XX = ±.03
 .X = ±.1

DIM. & TOL. PER ASME Y14.5M;
 DRM PER MIL-DTL-31000;
 OTHER Amphenol Stds. PER 9-3800

LEGENDS:
 = FLAG NOTE CALL OUT REFERENCE ONLY

MATERIAL SPEC.
 N/A

PROCESS SPEC.
 9-7894,
 9-7187

POS	QTY	PART NUMBER	DESCRIPTION	NOTE
5	1	21-033620-006	PCB TAIL	
4	1	21-033620-004	REAR INSULATOR	
3	1	21-033620-007	INNER CONTACT	
2	1	21-000277-022	FRONT INSULATOR	
1	1	21-033620-001	OUTER CONTACT	

APPROVALS

PREPARED BY: L. RATCHFORD
 ENGINEER IN CHARGE: L. RATCHFORD
 DESIGN MANAGER: A. DAVIS
 DESIGN ACTIVITY GROUP: MIL-AERO

DATE: 11-Feb-03

THIRD ANGLE PROJECTION

PARTS LIST

AMPHENOL CORPORATION
 40-60 DELAWARE AVENUE
 SIDNEY, N.Y. 13858

**CONTACT, SOCKET, COAXIAL,
 SIZE 16, PCB STYLE,
 TYPE LJT-R, PRETINNED**

SIZE: C
 CAGE CODE: 77820
 SCALE: 8.0

DOCUMENT NO.: 21-33610-2
 REF: 21-33601-1

REV. B
 SHEET 1 OF 1

21-33610-2

SHEET 1 OF 1

REV. B

C

B

A

FORMAT: C-U-E-1

RELEASE STATE: Released

REVISION: B

VERSION: I

21-33610-2

DOCUMENT NO.

SHEET 1 OF 1