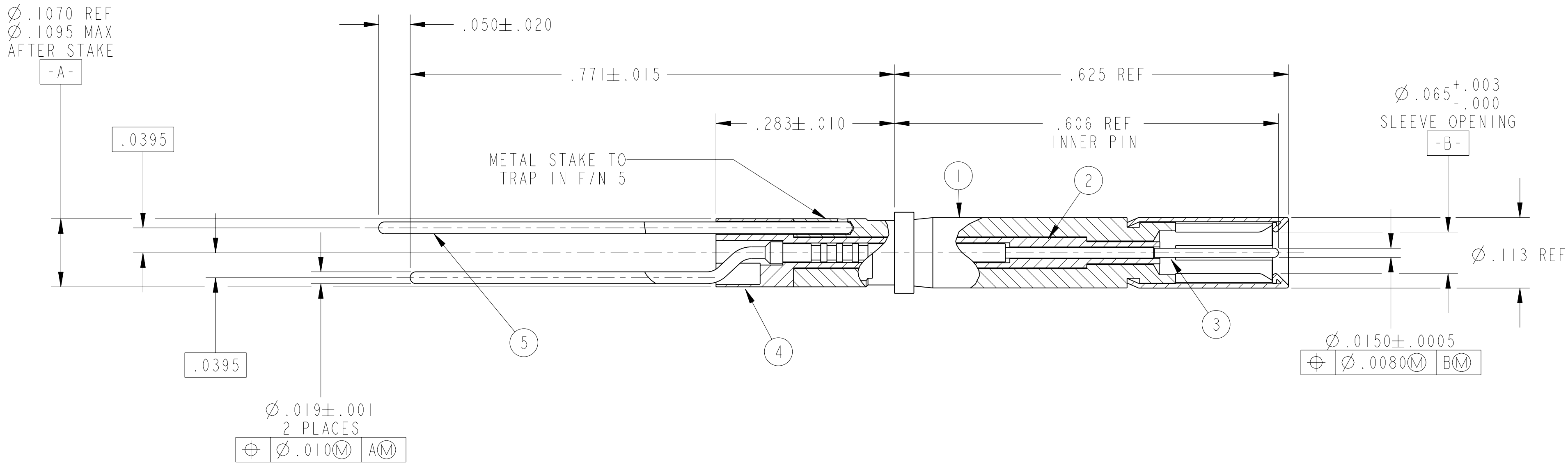
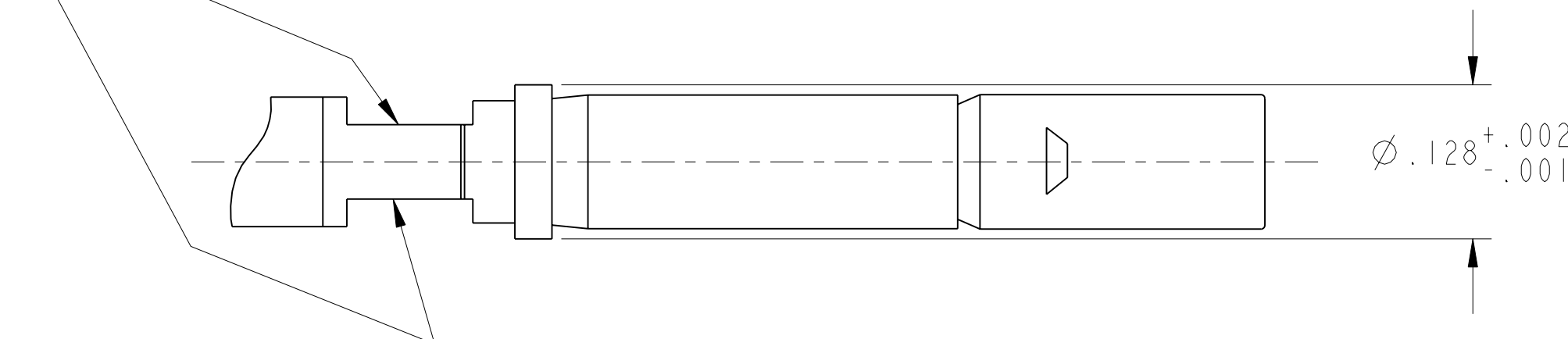


C		SHEET 1 OF 1		21-33610-3	
REVISIONS					
LTR	DESCRIPTION	DATE			
A	INITIAL RELEASE	4/8/04			
B	(CL 11) SEE CHG NOTICE ECN: A8689-0000	6/15/10			
C	(CL 11) SEE ENG CHG ECN: B2543-0000	6/1/12			

∅ .1070 REF  
∅ .1095 MAX  
AFTER STAKE



METAL STAKE EACH SIDE  
TO TRAP IN F/N 3



4. DIELECTRIC WITHSTANDING VOLTAGE TEST:

CONTACT ASSEMBLY SHALL MEET THE FOLLOWING REQUIREMENTS AFTER ASSEMBLY HAS BEEN COMPLETED.

- A. A TEST VOLTAGE OF 500 VOLTS AC RMS SHALL BE APPLIED BETWEEN THE INNER AND OUTER CONTACTS.
- B. THE VOLTAGE SHALL BE APPLIED FOR 2 SECONDS MINIMUM.
- C. THE LEAKAGE CURRENT SHALL NOT EXCEED 1 MILLIAMPERE.
- D. THERE SHALL BE NO EVIDENCE OF BREAKDOWN OR FLASHOVER.

3. PACKAGE PER PRODUCTION PROCESS SHEET.  
HANDLE CAREFULLY TO AVOID DISTORTION OF PCB TAILS.

2. CLEANING OF PARTS IN CHLORINATED SOLVENTS IS NOT PERMISSIBLE.

1. MATES WITH COAXIAL PIN CONTACT SERIES 21-33122-56().

NOTES:

THE USE OF THIS DOCUMENT IS UNLIMITED. HOWEVER, DOCUMENTS REFERENCED HEREON MAY CONTAIN LIMITED RIGHTS DATA.

N/A  
NEXT ASSEMBLY

PRO/ENGINEER INFORMATION  
Pro/e Model Used:  
21-033610-003.ASSEM  
Drawing Name:  
21-33610-3

UNLESS OTHERWISE SPECIFIED

LINEAR DIMENSIONS ARE IN INCHES  
TOLERANCES:  
.XXXX = ±.0005 ANGLES= ±2°  
.XXX = ±.010  
.XX = ±.03  
.X = ±.1

DIM. & TOL. PER ASME Y14.5M;  
DRM PER MIL-DTL-31000;  
OTHER Amphenol Stds. PER 9-3800  
LEGENDS:  
= FLAG NOTE CALL OUT REFERENCE ONLY

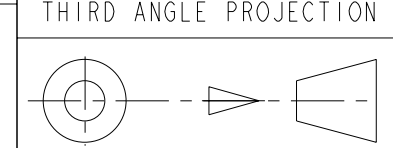
SPECIFICATIONS

MATERIAL SPEC.  
N/A

PROCESS SPEC.  
N/A

POS	QTY	PART NUMBER	DESCRIPTION	NOTE
5	1	21-033614-025	PCB TAIL	
4	1	21-033620-004	REAR INSULATOR	
3	1	21-033620-037	INNER CONTACT	
2	1	21-000277-022	FRONT INSULATOR	
1	1	21-033620-001	OUTER CONTACT	

APPROVALS	DATE
PREPARED BY L. RATCHFORD	23-Mar-04
ENGINEER IN CHARGE L. RATCHFORD	
DESIGN MANAGER A. DAVIS	
DESIGN ACTIVITY GROUP MIL-AERO	



PARTS LIST

**AMPHENOL CORPORATION**  
40-60 DELAWARE AVENUE  
SIDNEY, N.Y. 13858

**CONTACT, SOCKET, COAXIAL,  
SIZE 16, PCB STYLE,  
TYPE LJT-R**

SIZE <b>C</b>	CAGE CODE <b>77820</b>	DOCUMENT NO. <b>21-33610-3</b>	REV. <b>C</b>
SCALE: 8.0		REF. 21-33610-2	SHEET 1 OF 1

21-33610-3

SHEET 1 OF 1

REV. C

C

B

A

FORMAT: C-U-E-1

DOCUMENT NO.  
**21-33610-3**

SHEET 1 OF 1

REV.  
**C**

0

C

Released

C

SHEET 1 OF 1

21-33610-3

C