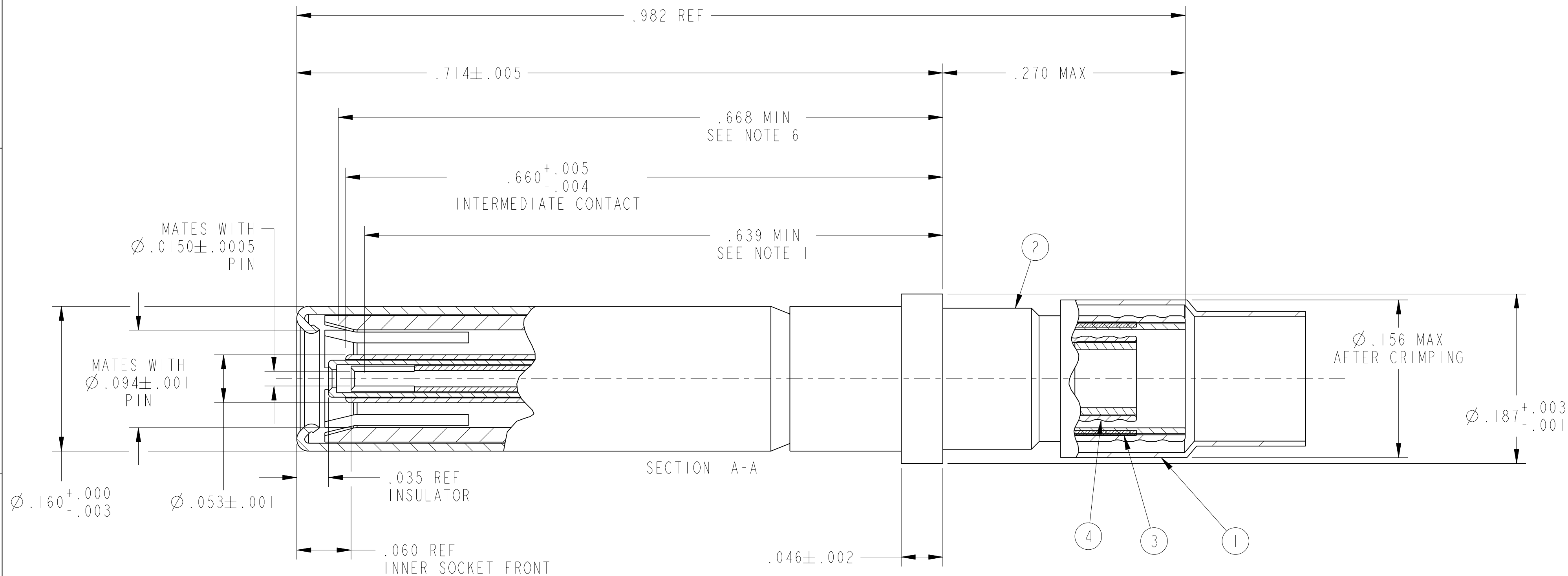


REVISIONS			
LTR	DESCRIPTION	DATE	APPVD
A	INITIAL RELEASE NUM: R2001-407		
B	(CL 11) POS. 4 WAS: -22 ECN: 95940	V. JONES 3-1-05	



6. INDICATED DIMENSION IS FROM THE REAR OF THE OUTER CONTACT SHOULDER TO THE POINT AT WHICH A $\varnothing .0940 \pm .0002$ SQUARE ENDED PIN ENGAGES THE OUTER SOCKET CONTACT SPRING.
5. MATES WITH TWINAX PIN CONTACT 21-33631-().
4. TERMINATES TWINAX CABLE EPD32263A OR EQUIVALENT.
3. INDICATED COMPONENT IS NOT ILLUSTRATED. COMPLETE INSTALLATION INSTRUCTIONS PACKAGED WITH EACH ASSEMBLY. PACKAGE PER PRODUCTION PROCESS SHEET.
2. PROCESS SPEC:
TEST 9-5272-36
1. INDICATED DIMENSION IS FROM THE REAR OF THE OUTER CONTACT SHOULDER TO THE POINT AT WHICH A $\varnothing .0150 \pm .0002$ SQUARE ENDED PIN ENGAGES THE INNER SOCKET CONTACT SPRING.

NOTES:

THE USE OF THIS DOCUMENT IS UNLIMITED. HOWEVER, DOCUMENTS REFERENCED HEREON MAY CONTAIN LIMITED RIGHTS DATA.

COMPANY ID: 9 CODED/MS/CUST: N N/A
INTERNAL: N LOT NO: N
DATE CODE: N SEE DRAW: N N/A

STAMPING DATA

NEXT ASSEMBLY

POS	QTY	PART NUMBER	DESCRIPTION	NOTE
5	1	L-2092-J	INSTALLATION INSTRUCTIONS	3
4	1	21-33645-221	INNER CONTACT ASSEMBLY	
3	1	21-33765-66	FERRULE, INTERMEDIATE	
2	1	21-33645-4	OUTER CONTACT ASSEMBLY	
1	1	21-33765-55	FERRULE, OUTER	

UNLESS OTHERWISE SPECIFIED

LINEAR DIMENSIONS ARE IN INCHES

TOLERANCES:

.XXXX = $\pm .0005$
.XXX = $\pm .010$
.XX = $\pm .03$
.X = $\pm .1$
ANGLES = $\pm 2^\circ$

OTHER STANDARDS PER 9-3800 AND DOD-D-1000

THIRD ANGLE PROJECTION

SPECIFICATIONS

MATERIAL SPEC. N/A

PROCESS SPEC. SEE NOTE 2

APPROVALS	DATE
PREPARED RATCHFORD	09-Jun-99
CHECKED L. RATCHFORD	10-22-01
MATERIAL N/A LR	10-22-01
APPROVED L. RATCHFORD	10-22-01
APPROVED AL DAVIS	10-26-01

PARTS LIST			
AMPHENOL CORPORATION SIDNEY, N.Y. 13838			
CONTACT, SOCKET, TWINAX, ELECTRICAL CONNECTOR, TYPE ARINC M83527, SIZE 12			
SIZE	FSCM NO.	DOCUMENT NO.	REV.
C	77820	21-33632-3	B
SCALE: 12.0		REF: 21-33908-12	SHEET 1 OF 1

FAMCODES DATA3: FALSE CICS: FALSE

21-33632-3

DOC NO

SH

1 OF 1

A

U

B

REV.

SCALE

REF

SHEET

OF

1

1

1

1

1

1

1

1

1