

REV. A		SHEET 1 OF 1		DOCUMENT NO. 21-033633-007	
REVISIONS					
LTR	DESCRIPTION			DATE	
A	INITIAL RELEASE			-	

21-033633-007

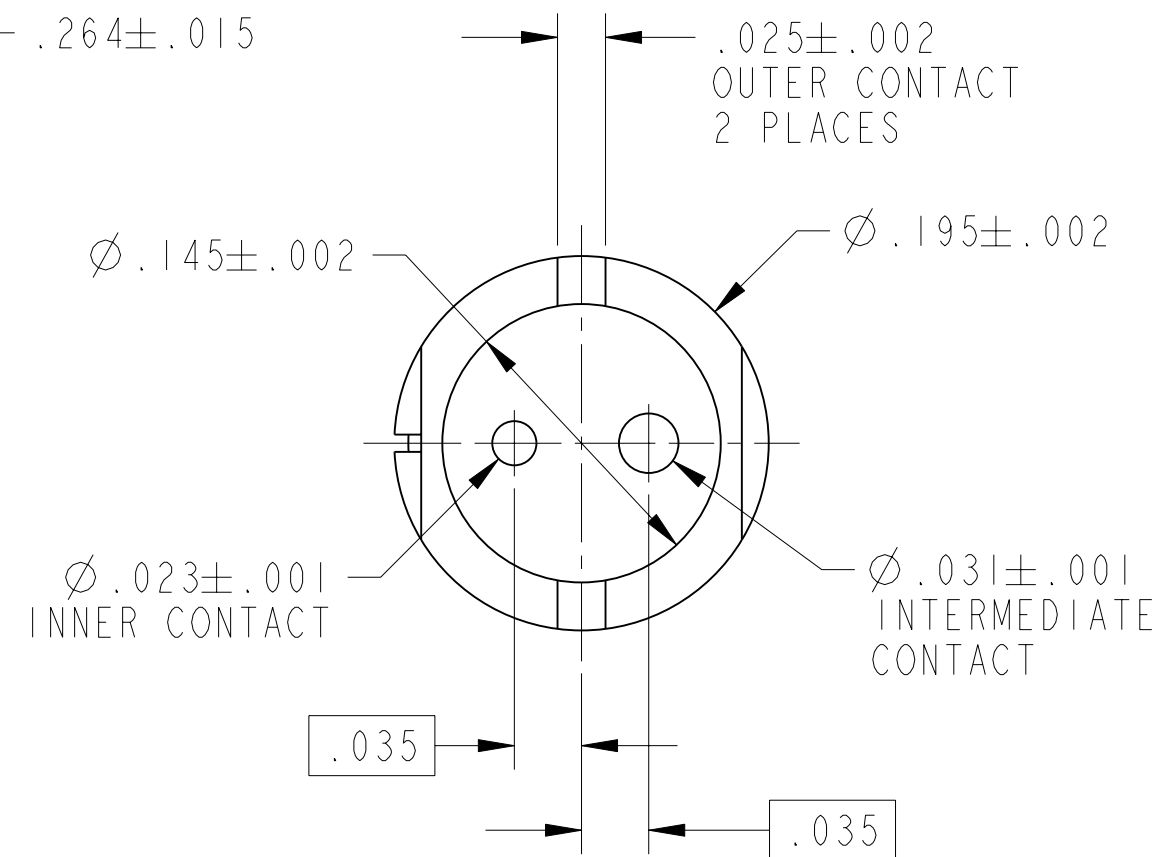
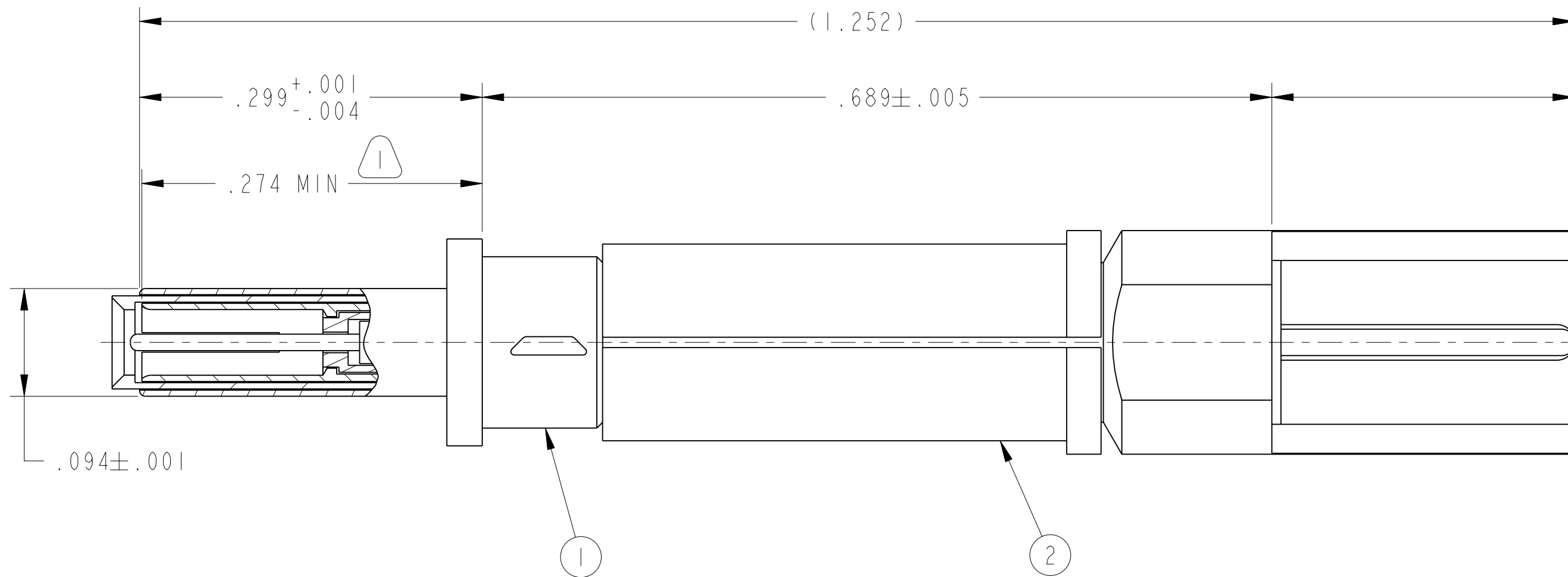
SHEET 1 OF 1

REV. A

C

B

A



PARTIAL SECTION AA-AA

- INDICATED DIMENSION IS FROM THE REAR OF THE OUTER PIN SHOULDER TO THE POINT AT WHICH A $\phi .0541 \pm .0002$ SQUARE ENDED PIN ENGAGES THE INTERMEDIATE SOCKET SPRING.
- HANDLE CONTACT ASSEMBLY CAREFULLY TO PREVENT DISTORTION OF PCB TAILS.
- CONTACTS ARE DESIGNED FOR MIL-C-38999 SERIES I & III CONNECTORS.
- MATERIALS & FINISHES:
CONTACTS: COPPER ALLOYS PER MIL-C-39029
GOLD PLATED PER MIL-C-45204
INSULATORS: ULTEM OR TEFLON
- MATES WITH SIZE 12 TRIAXIAL & TWINAXIAL SOCKET CONTACTS 21-033908-() (JN1104S75T INTERFACE TYPES).
- CLEANING OF PARTS IN CHLORINATED SOLVENTS IS NOT PERMISSIBLE.

NOTES:

THE USE OF THIS DOCUMENT IS UNLIMITED. HOWEVER, DOCUMENTS REFERENCED HEREON MAY CONTAIN LIMITED RIGHTS DATA.

10-646401-005X
NEXT ASSEMBLY

PRO/ENGINEER INFORMATION
Pro/e Model Used:
21-033633-007.ASSEM
Drawing Name:
21-033633-007

UNLESS OTHERWISE SPECIFIED

SPECIFICATIONS

LINER DIMENSIONS ARE IN INCHES
TOLERANCES:
.XXXX = $\pm .0005$ ANGLES = $\pm 2^\circ$
.XXX = $\pm .010$
.XX = $\pm .03$
.X = $\pm .1$

MATERIAL SPEC. N/A

PROCESS SPEC. N/A

DIM. & TOL. PER ASME Y14.5M;
DRM PER MIL-DTL-31000;
OTHER Amphenol Stds. PER 9-3800

LEGENDS:
= FLAG NOTE CALL OUT REFERENCE ONLY

POS	QTY	PART NUMBER	DESCRIPTION	NOTE
2	1	21-033636-112	EXTRACTION SLEEVE	
1	1	21-033633-07M	PCB CONTACT ASSEMBLY	

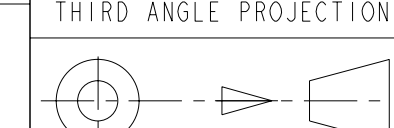
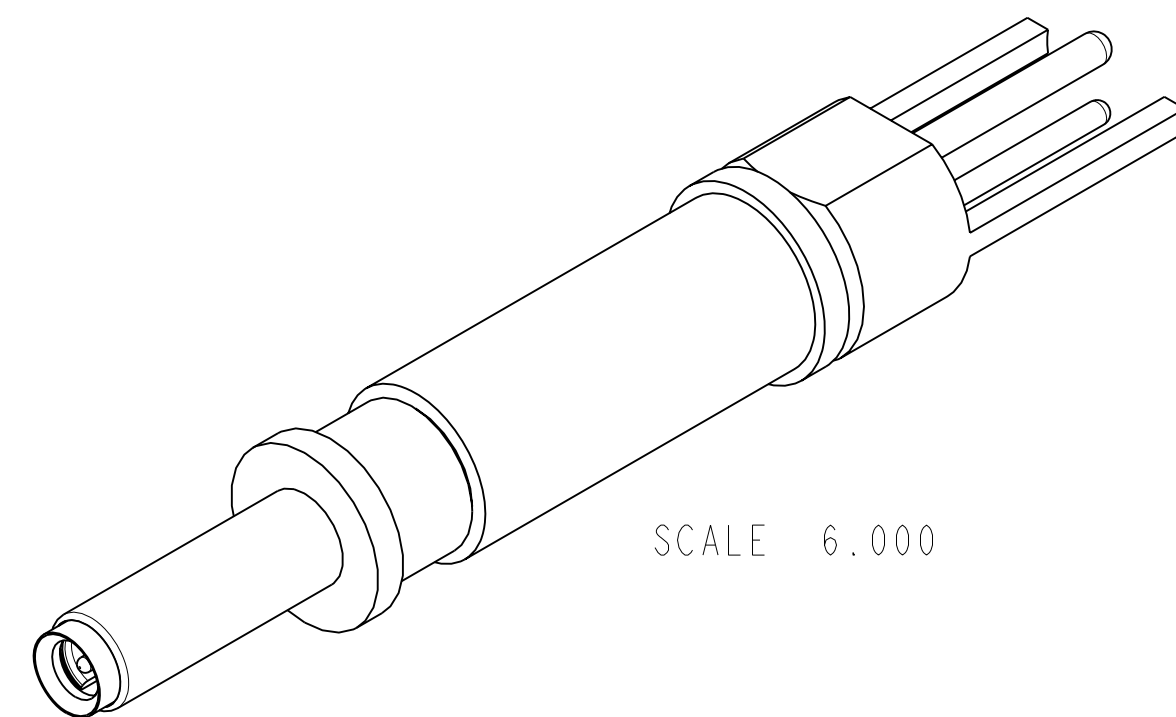
APPROVALS	DATE
PREPARED BY: D. PHILLIPS	31-Aug-06
ENGINEER IN CHARGE: RATCHFORD	
DESIGN MANAGER: H. JOHNSON	
DESIGN ACTIVITY GROUP: MIL-AERO DEVELOP	

PARTS LIST

AMPHENOL CORPORATION
40-60 DELAWARE AVENUE
SIDNEY, N.Y. 13858

**CONTACT, PIN, PCB,
ELECTRICAL CONNECTOR,
TYPE JT-R, SIZE 12 TRIAX**

SIZE C	CAGE CODE 77820	DOCUMENT NO. 21-033633-007	REV. A
SCALE: 10.0		REF. 21-33633-6	SHEET 1 OF 1



RELEASED / Nov. 17 2006, 11:33 AM
DOCUMENT NO. 21-033633-007

SHEET 1 OF 1

REV. A

VERSION 10

REVISION A

RELEASE STATE Released

REV. A

SHEET 1 OF 1

DOCUMENT NO. 21-033633-007