

REV. B		SHEET 1 OF 1		DOCUMENT NO. 21-33634-45	
REVISIONS					
LTR	DESCRIPTION	DATE			
A	INITIAL RELEASE NUM: R2000-214	6/26/00			
B	(CL 1) SEE CHG NOTICE ECN: A9757-0000	9/15/10			

21-33634-45

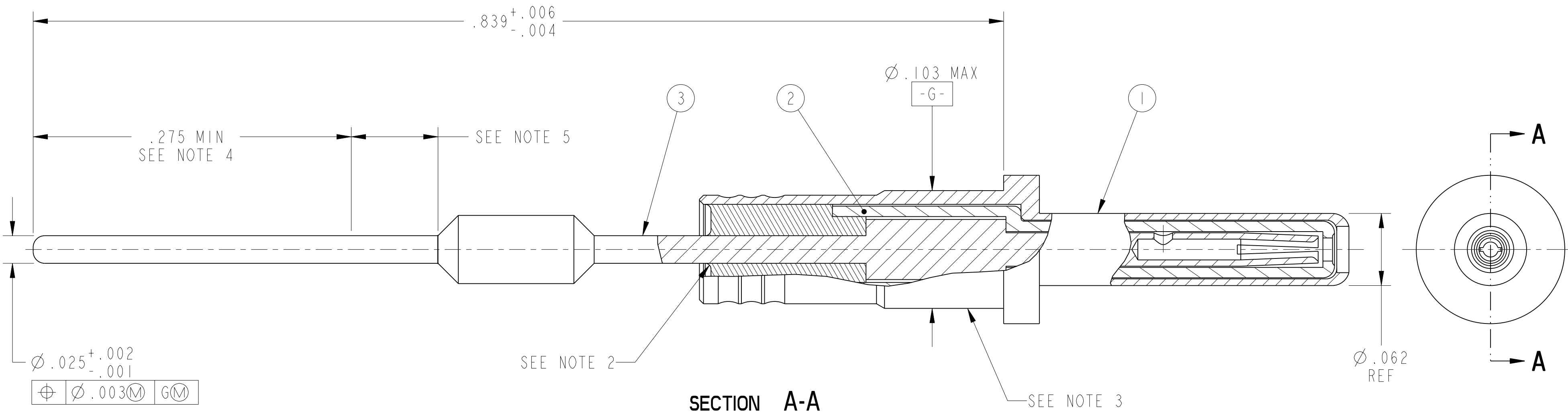
SHEET 1 OF 1

REV. B

C

B

A



SECTION A-A

5. SOLDER ON INDICATED AREA PERMISSIBLE.
4. PRETIN PER 9-7894 INDICATED LENGTH.
3. BLACK INK STAMP TRADEMARK 9-6700, TYPE IV, PER 9-7530 OR 9-3856-5 ON INDICATED SURFACE. DIRECTION OPTIONAL, MAY BE SOLID OR FRAME.
2. FILL IN THE INDICATED AREA WITH EPOXY 9-4954-5 TO HOLD INNER COMPONENTS IN PLACE. NO EPOXY IS PERMITTED ABOVE OUTER SURFACE OF CONTACT ASSEMBLY. CURE EPOXY AT 250°F FOR THREE HOURS.
1. DRAWING ILLUSTRATES FINAL ASSEMBLY.

NOTES:

THE USE OF THIS DOCUMENT IS UNLIMITED. HOWEVER, DOCUMENTS REFERENCED HEREON MAY CONTAIN LIMITED RIGHTS DATA.

88-568993

NEXT ASSEMBLY

PRO/ENGINEER INFORMATION

Pro/e Model Used:
21-033634-045.ASSEM
Drawing Name:
21-33634-45

UNLESS OTHERWISE SPECIFIED

LINEAR DIMENSIONS ARE IN INCHES
TOLERANCES:
.XXXX = ±.0005 ANGLES= ±2°
.XXX = ±.010
.XX = ±.03
.X = ±.1

DIM. & TOL. PER ASME Y14.5M;
DRM PER MIL-DTL-31000;
OTHER Amphenol Stds. PER 9-3800

LEGENDS:
=FLAG NOTE CALL OUT
REFERENCE ONLY

SPECIFICATIONS

MATERIAL SPEC.

N/A

PROCESS SPEC.

9-4954-5

SEE NOTE 2

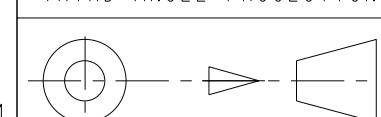
9-6700, 9-7530

9-3856-5, 9-7894

POS	QTY	PART NUMBER	DESCRIPTION	NOTE
3	1	21-033639-015	CONTACT, INNER SOCKET	
2	1	21-001377-061	INSULATOR, FRONT	
1	1	21-000372-561	CONTACT, PIN	

APPROVALS	DATE
PREPARED BY D. ALGER	23-Jun-00
ENGINEER IN CHARGE L. RATCHFORD	
DESIGN MANAGER E. SHEPLER	
DESIGN ACTIVITY GROUP MIL-AERO	

THIRD ANGLE PROJECTION



PARTS LIST			
AMPHENOL CORPORATION 40-60 DELAWARE AVENUE SIDNEY, N.Y. 13858			
CONTACT, PIN, COAXIAL, PRETINNED, SIZE 16 PCB TERMINATION, TYPE JT-R			
SIZE C	CAGE CODE 77820	DOCUMENT NO. 21-33634-45	REV. B
SCALE: 15:0		REF. 21-33634-35	SHEET 1 OF 1

DOCUMENT NO. 21-33634-45

SHEET 1 OF 1

REV. B

VERSION

REVISION

RELEASE STATE
Released

REV. B

SHEET 1 OF 1

DOCUMENT NO. 21-33634-45