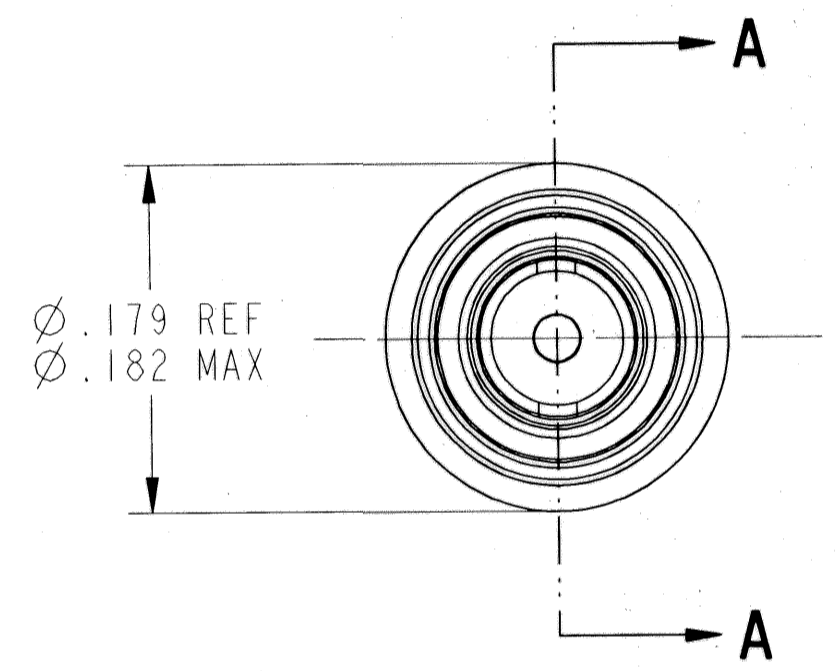
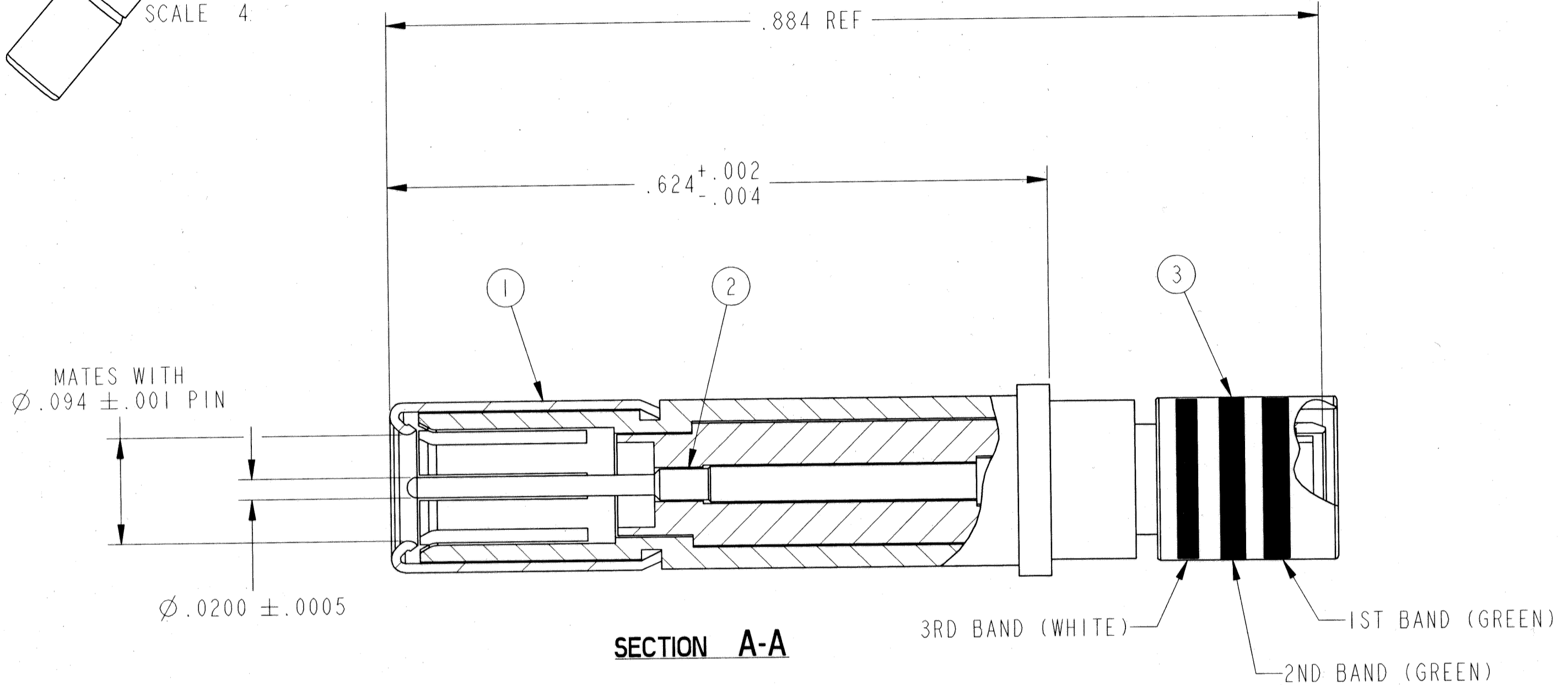
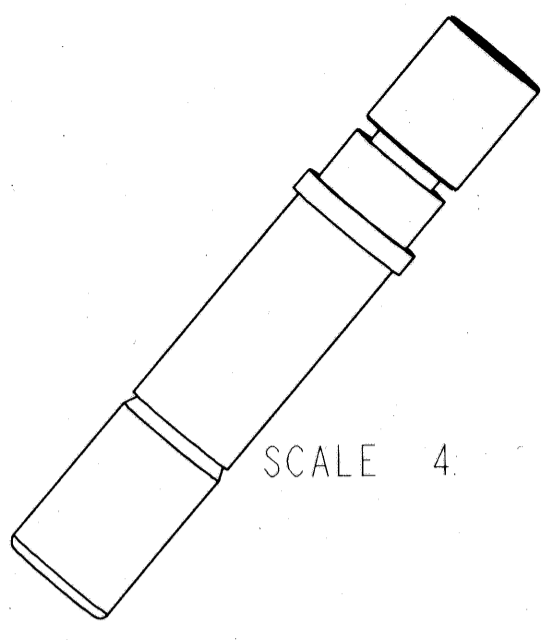


REVISIONS			
LTR	DESCRIPTION	DATE	APPVD
A	INITIAL RELEASE NUM: 70098-441		
B	(CL 11) SEE CHG NOTICE. ECN: 87228	V. JONES 2-12-00	K. DAVIS III 3-7-00
C	(CL 11) ADDED NOTE 6 ECN: 92960	V. JONES 4-17-03	<i>[Signature]</i> 4-17-03



6. EACH UNIT PACKAGE LABEL MUST INCLUDE THE FOLLOWING INFORMATION:
"AMPHENOL CONTACTS"
21-33650-11
M39029/103-559
5. MEETS THE REQUIREMENTS OF M39029/103-559.
4. CONTACT TERMINATES R6316 CABLE OR EQUIVALENT.
3. COMPLETE INSTALLATION INSTRUCTIONS PACKAGED WITH EACH ASSEMBLY. PACKAGE PER PRODUCTION SHEET.
2. INDICATED COMPONENT NOT ILLUSTRATED.
1. PROCESS SPEC: 9-5272-23

NOTES:

THE USE OF THIS DOCUMENT IS UNLIMITED. HOWEVER, DOCUMENTS REFERENCED HEREON MAY CONTAIN LIMITED RIGHTS DATA.

POS	QTY	PART NUMBER	DESCRIPTION	NOTE
4	1	21-33665-61	INSTALLATION INSTRUCTIONS	2,3
3	1	21-33671-2	OUTER FERRULE	
2	1	21-33664-7M	INNER CONTACT ASSEMBLY	
1	1	21-33650-11M	OUTER CONTACT ASSEMBLY	

UNLESS OTHERWISE SPECIFIED	SPECIFICATIONS	PARTS LIST	
LINEAR DIMENSIONS ARE IN INCHES TOLERANCES: .XXXX = ±.0005 .XXX = ±.010 .XX = ±.03 .X = ±.1 ANGLES = ±2° OTHER STANDARDS PER 9-3800 AND DOD-D-1000 THIRD ANGLE PROJECTION	MATERIAL SPEC.	APPROVALS	DATE
	N/A	G. LARSON	29-Jun-98
	PROCESS SPEC.	L. RATCHFORD	12-4-98
	SEE NOTE 1	L. RATCHFORD	12-4-98
		AMPHENOL CORPORATION <small>BENDIX CONNECTOR OPERATIONS SIDNEY, N.Y.</small>	
		COAX CONTACT ASSEMBLY, SIZE 12, TYPE TV-R	U
		SIZE: C FSCM NO.: 77820	DOCUMENT NO.: 21-33650-11 REV.: C
		SCALE: 10.0	REF: 21-33650-1
		SHEET 1 OF 1	

FAMCODES DATA3: TBD CICS: TBD

21-33650-11