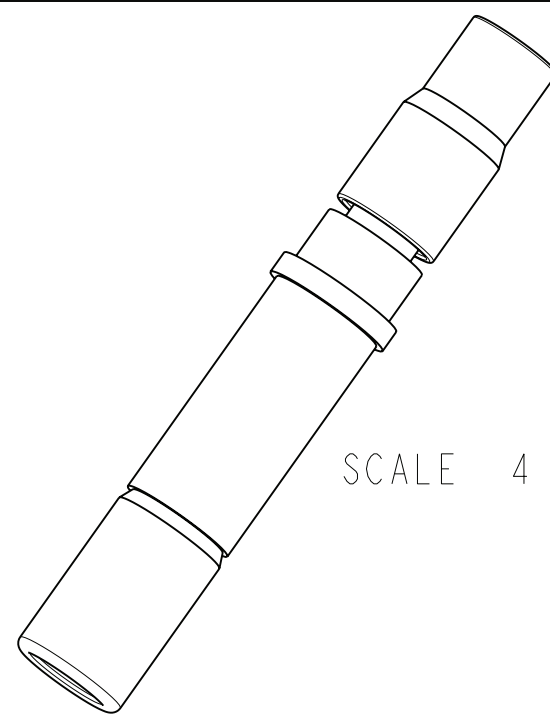
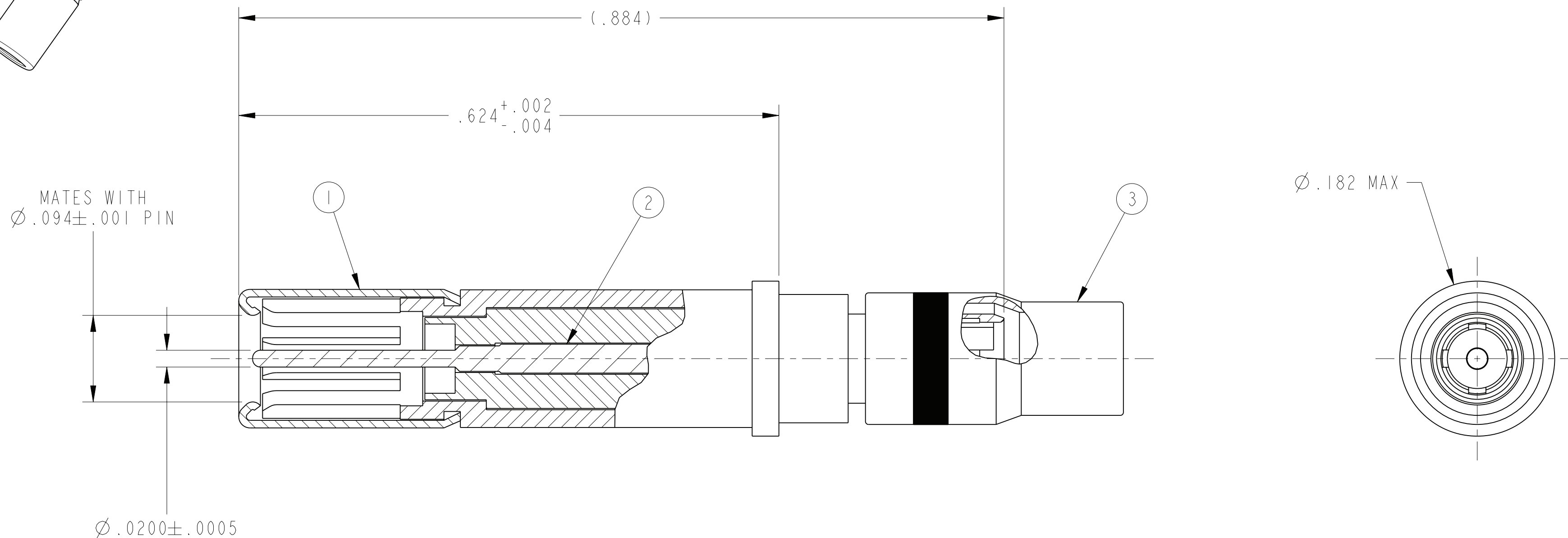


REV. B	SHEET 1 OF 1	DOCUMENT NO. 21-33650-12
REVISIONS		
LTR	DESCRIPTION	DATE
A	INITIAL RELEASE NUM: 70099-125	4/19/99
B	(CL 11) CHG'D P/N OF POS 1 ECN: B1927-0000	3/9/12



SCALE 4



- 4. CONTACT TERMINATES PAN6422XQ, XY & XM CABLE.
- 3. COMPLETE INSTALLATION INSTRUCTIONS PACKAGED WITH EACH ASSEMBLY PACKAGE PER PRODUCTION PROCESS SHEET.
- 2. INDICATED COMPONENT NOT ILLUSTRATED.
- 1. PROCESS SPEC: 9-5272-23

NOTES:

THE USE OF THIS DOCUMENT IS UNLIMITED. HOWEVER, DOCUMENTS REFERENCED HEREON MAY CONTAIN LIMITED RIGHTS DATA.

N/A
NEXT ASSEMBLY

PRO/ENGINEER INFORMATION
 Pro/e Model Used:
 21-033650-012.ASSEM
 Drawing Name:
 21-33650-12

UNLESS OTHERWISE SPECIFIED
 LINEAR DIMENSIONS ARE IN INCHES
 TOLERANCES:
 .XXXX = ±.0005 ANGLES= ±2°
 .XXX = ±.010
 .XX = ±.03
 .X = ±.1
 DIM. & TOL. PER ASME Y14.5M;
 DRM PER MIL-DTL-31000;
 OTHER Amphenol Stds. PER 9-3800
 LEGENDS:
 =FLAG NOTE CALL OUT REFERENCE ONLY

SPECIFICATIONS
 MATERIAL SPEC. N/A
 PROCESS SPEC.
 SEE NOTE 1

POS	QTY	PART NUMBER	DESCRIPTION	NOTE
4	1	21-033635-001	INSTALLATION INSTRUCTIONS	2, 3
3	1	21-033672-002	OUTER FERRULE	
2	1	21-033664-07M	INNER CONTACT ASSEMBLY	
1	1	21-033650-11M	OUTER CONTACT ASSEMBLY	

APPROVALS	DATE
PREPARED BY G. LARSON	29-Jun-98
ENGINEER IN CHARGE L. RATCHFORD	
DESIGN MANAGER E. SHEPLER	
DESIGN ACTIVITY GROUP MIL-AERO	

THIRD ANGLE PROJECTION

AMPHENOL CORPORATION
 40-60 DELAWARE AVENUE
 SIDNEY, N.Y. 13858

COAX CONTACT ASSEMBLY,
 SIZE 12,
 TYPE TV-R

SIZE C	CAGE CODE 77820	DOCUMENT NO. 21-33650-12	REV. B
SCALE: 10:0		REF. 21-33650-1	SHEET 1 OF 1

DOCUMENT NO. 21-33650-12 SHEET 1 OF 1 REV. B

REVISION B 0 SHEET 1 OF 1 DOCUMENT NO. 21-33650-12