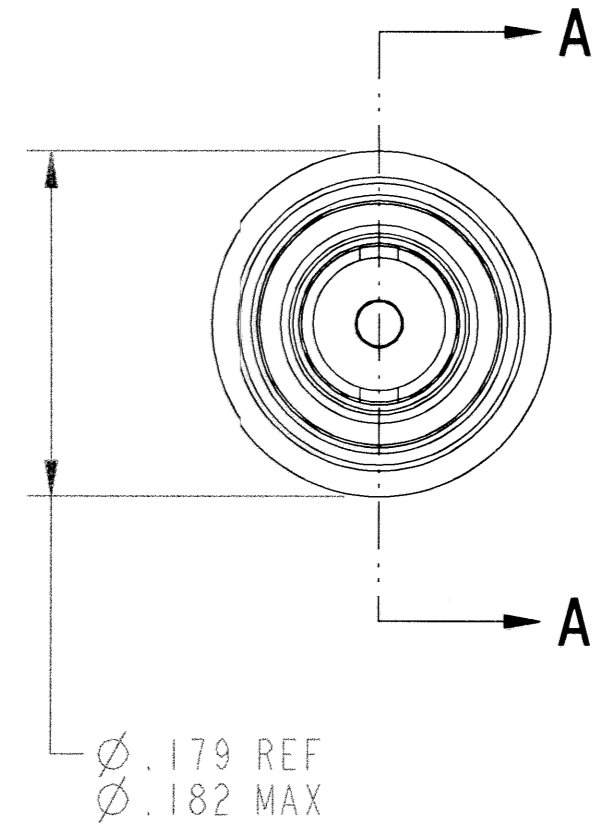
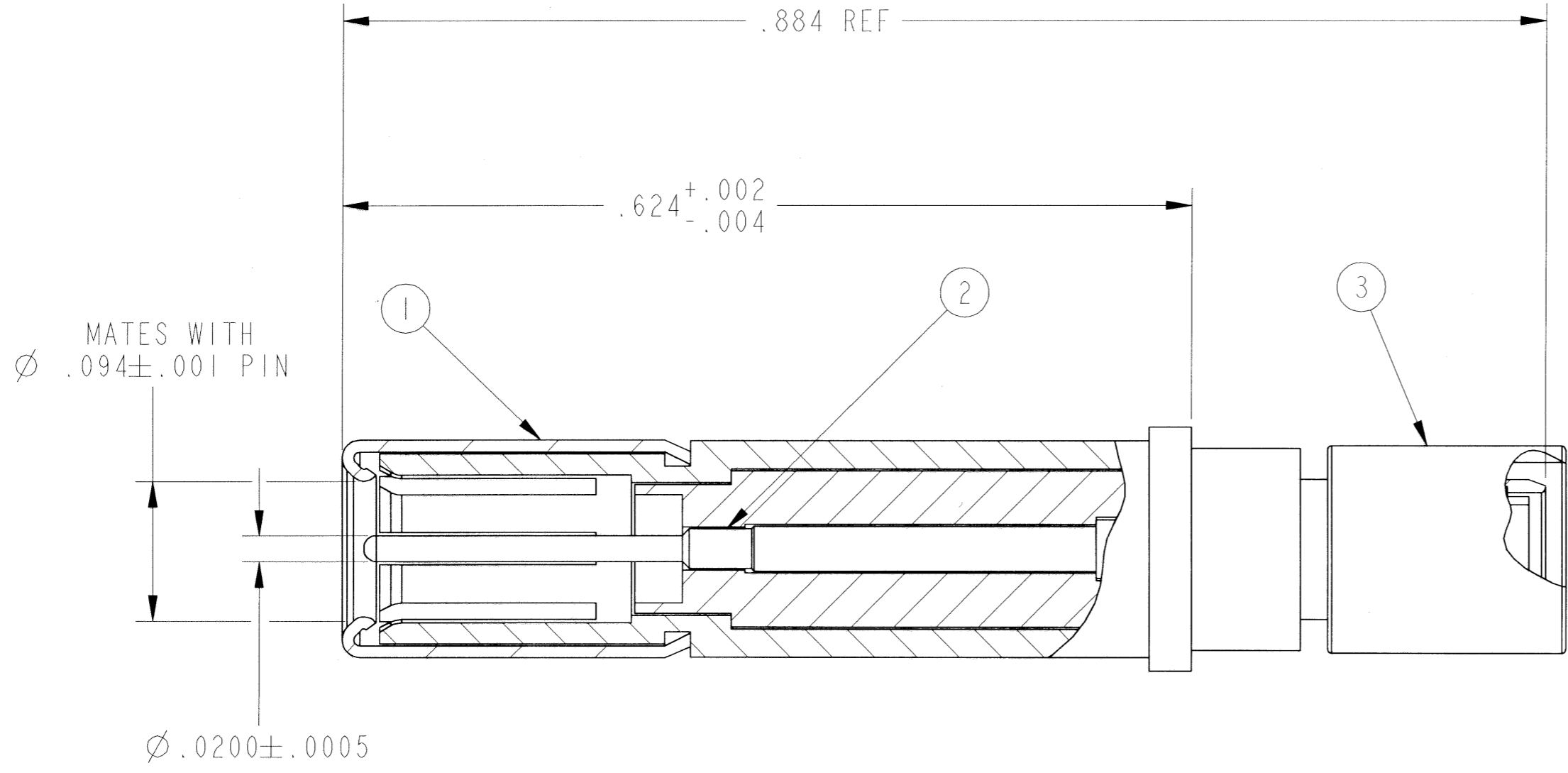
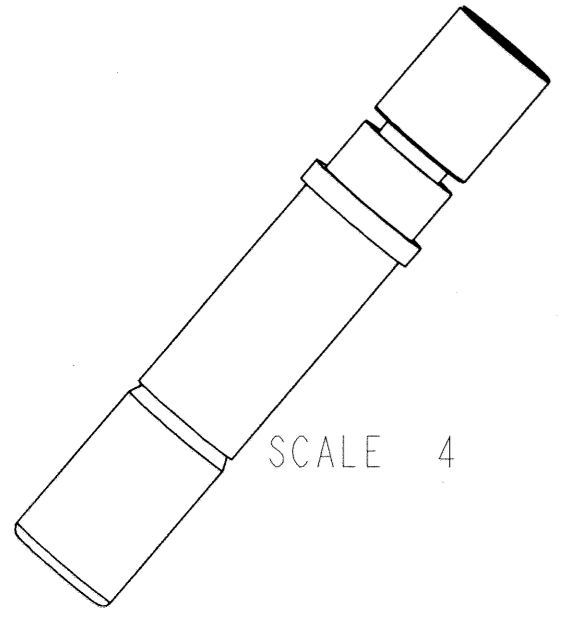


REVISIONS			
LTR	DESCRIPTION	DATE	APPVD
A	INITIAL RELEASE NUM: <i>R2001-A05</i>		



5. MEETS THE APPLICABLE REQUIREMENTS OF M39029/103-559.
4. CONTACT TERMINATES RD316 & FILOTEX 124962 COAX CABLE OR EQUIVALENT.
3. COMPLETE INSTALLATION INSTRUCTIONS PACKAGED WITH EACH ASSEMBLY. PACKAGE PER PRODUCTION SHEET.
2. INDICATED COMPONENT NOT ILLUSTRATED.
1. PROCESS SPEC: 9-5272-23

NOTES:
THE USE OF THIS DOCUMENT IS UNLIMITED. HOWEVER, DOCUMENTS REFERENCED HEREON MAY CONTAIN LIMITED RIGHTS DATA.

POS	QTY	PART NUMBER	DESCRIPTION	NOTE
4	1	L-2092-F	INSTALLATION INSTRUCTIONS	2, 3
3	1	21-33903-544	OUTER FERRULE	
2	1	21-33664-7M	INNER CONTACT ASSEMBLY	
1	1	21-33650-11M	OUTER CONTACT ASSEMBLY	

UNLESS OTHERWISE SPECIFIED	SPECIFICATIONS	PARTS LIST			
LINEAR DIMENSIONS ARE IN INCHES TOLERANCES: .XXXX = ±.0005 .XXX = ±.010 .XX = ±.03 .X = ±.1 ANGLES = ±2° OTHER STANDARDS PER 9-3800 AND DOD-D-1000 THIRD ANGLE PROJECTION	MATERIAL SPEC. N/A	APPROVALS		DATE	AMPHENOL CORPORATION <small>BENDIX CONNECTOR OPERATIONS SIDNEY, N.Y.</small> COAX CONTACT ASSEMBLY, SIZE 12, TYPE TV-R
	PROCESS SPEC. SEE NOTE 1	PREPARED RATCHFORD	APPROVED <i>L. Ratchford</i>	07-FEB-01	
		CHECKED <i>N/A L. Ratchford</i>	APPROVED <i>L. Ratchford</i>	10-22-01	
		APPROVED <i>Al Davis</i>	APPROVED <i>L. Ratchford</i>	10-26-01	
		PROV/ENG INFORMATION 21-33650-11.ASSEM 21-33650-17	SIZE C	FSCM NO. 77820	DOCUMENT NO. 21-33650-17