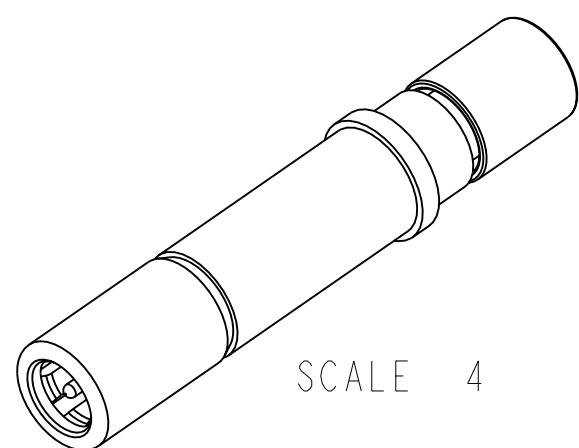
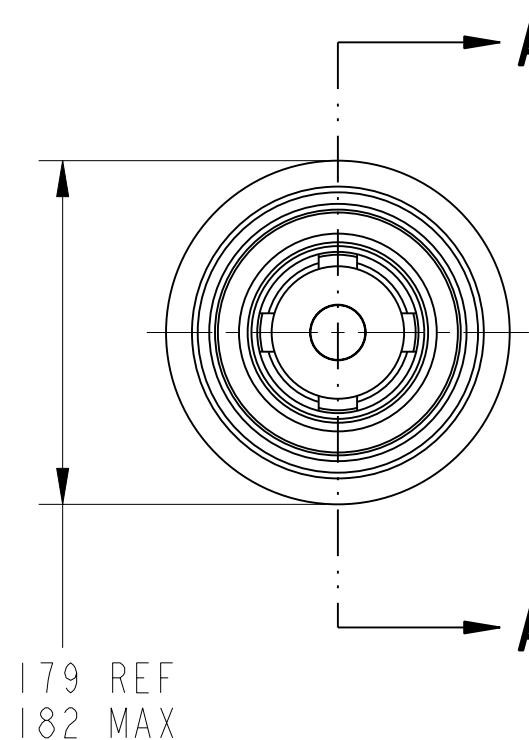
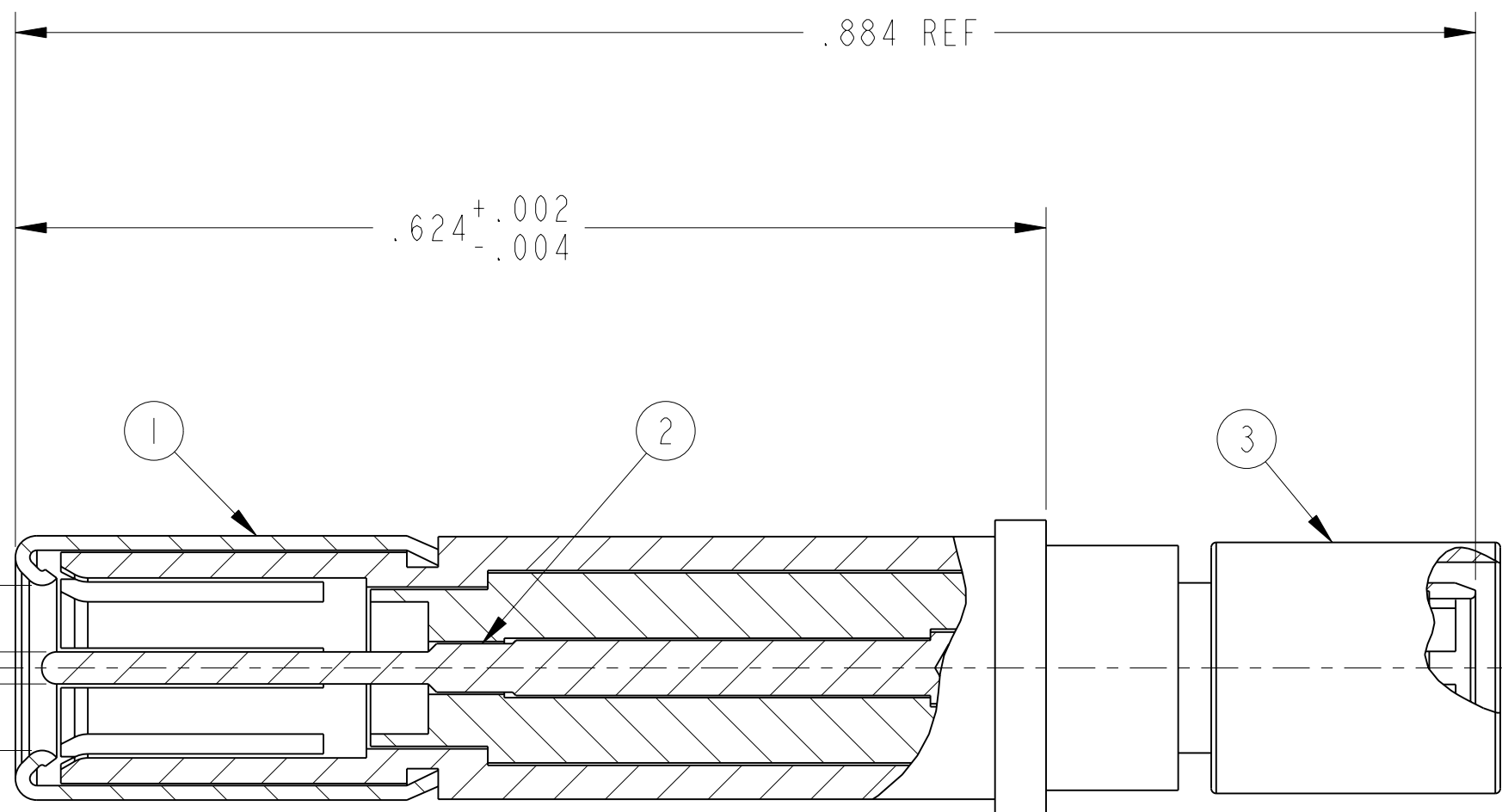


REV. A	SHEET 1 OF 1	DOCUMENT NO. 21-33650-22
REVISIONS		
LTR	DESCRIPTION	DATE
A	INITIAL RELEASE	



MATES WITH
Ø .094 ± .001 PIN

Ø .0200 ± .0005



SECTION A-A

- 5. MEETS THE APPLICABLE REQUIREMENTS OF M39029/103-559.
- 4. CONTACT TERMINATES SFT-316-TR CABLE OR EQUIVALENT.
- 3. COMPLETE INSTALLATION INSTRUCTIONS PACKAGED WITH EACH ASSEMBLY. PACKAGE PER PRODUCTION SHEET.
- 2. INDICATED COMPONENT NOT ILLUSTRATED.
- 1. PROCESS SPEC: 9-5272-23

NOTES:

THE USE OF THIS DOCUMENT IS UNLIMITED. HOWEVER, DOCUMENTS REFERENCED HEREON MAY CONTAIN LIMITED RIGHTS DATA.

RELEASED / Apr . 24 2003, 01:31 PM

N/A	PRO/ENGINEER INFORMATION
N/A	Pro/e Model Used: 21-33650-22.125.COAX.ASY.ASSEM
N/A	Drawing Name: 21-33650-22.125.COAX.ASY
N/A	NEXT ASSEMBLY

UNLESS OTHERWISE SPECIFIED
 LINEAR DIMENSIONS ARE IN INCHES
 TOLERANCES:
 .XXXX = ±.0005 ANGLES= ±2°
 .XXX = ±.010
 .XX = ±.03
 .X = ±.1
 DIM. & TOL. PER ASME Y14.5M;
 DRM PER MIL-DTL-31000;
 OTHER Amphenol Sds. PER 9-3800
 LEGENDS:
 =FLAG NOTE CALL OUT
 REFERENCE ONLY

SPECIFICATIONS
 MATERIAL SPEC.
 N/A
 PROCESS SPEC.
 SEE NOTE 1

POS	QTY	PART NUMBER	DESCRIPTION	NOTE
4	1	L-2092-N	INSTALLATION INSTRUCTIONS	2, 3
3	1	21-33671-3	OUTER FERRULE	
2	1	21-33838-1M	INNER CONTACT ASSEMBLY	
1	1	21-33650-11M	OUTER CONTACT ASSEMBLY	

APPROVALS	DATE
PREPARED BY: RATCHFORD	22-Apr-03
ENGINEER IN CHARGE: RATCHFORD	
DESIGN MANAGER: ADAVIS	
DESIGN ACTIVITY GROUP: MIL AERO	
THIRD ANGLE PROJECTION	

PARTS LIST			
AMPHENOL CORPORATION 40-60 DELAWARE AVENUE SIDNEY, N.Y. 13838			
COAX CONTACT ASSEMBLY, SIZE 12, TYPE TV-R			
SIZE C	CAGE CODE 77820	DOCUMENT NO. 21-33650-22	REV. A
SCALE: 10.0 REF:		21-33650-11	SHEET 1 OF 1