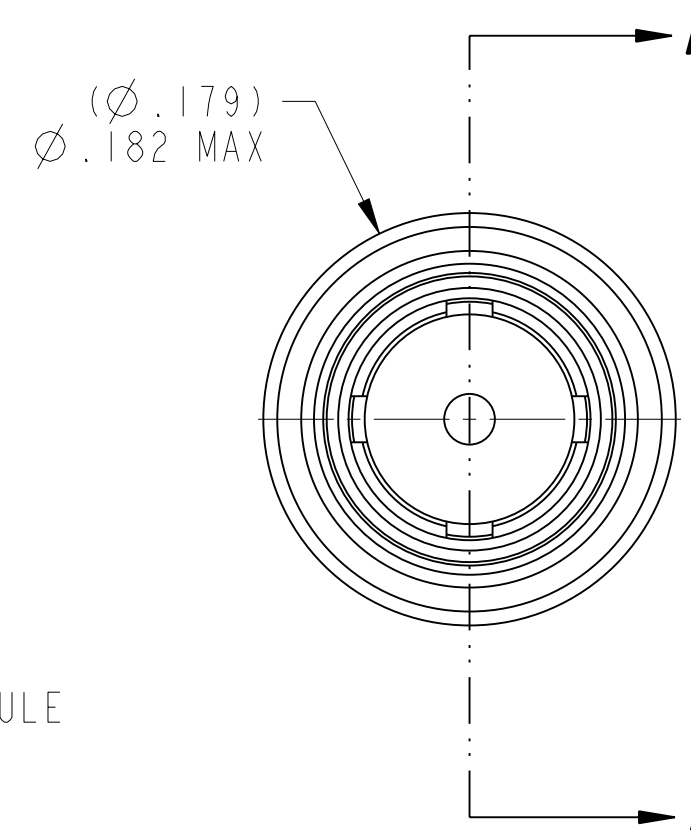
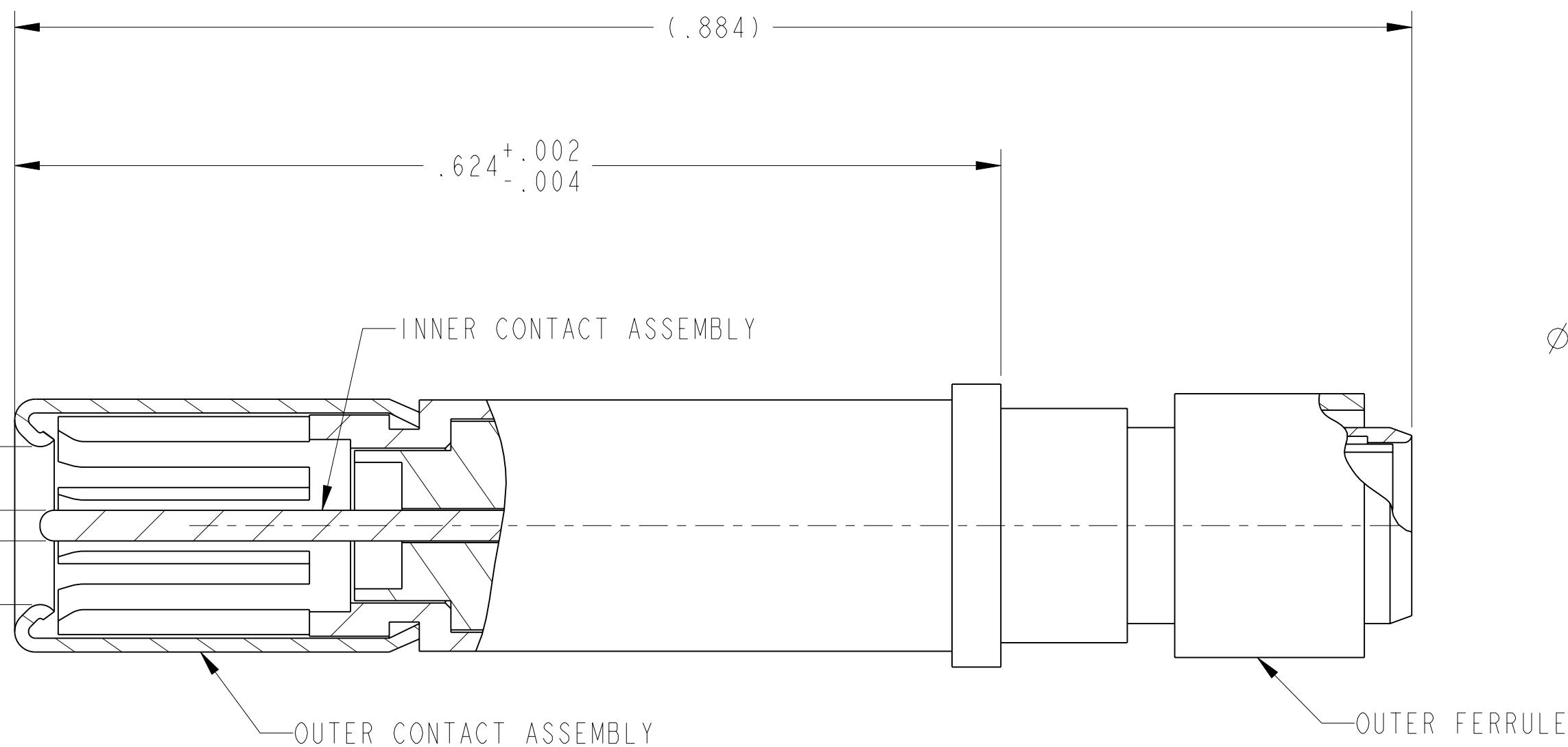
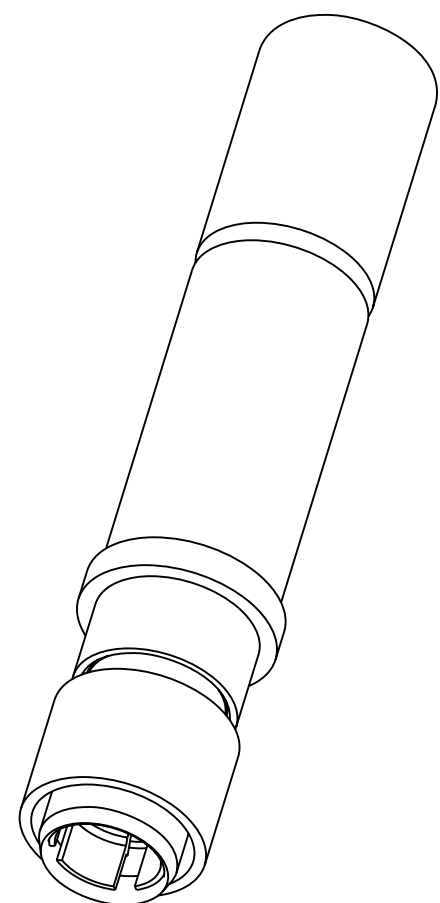


REV. A	SHEET 1 OF 1	DOCUMENT NO. 21-033650-031
REVISIONS M		
LTR	DESCRIPTION	DATE
A	INITIAL RELEASE	---



SECTION A-A

- 3. MEETS THE APPLICABLE REQUIREMENTS OF M39029/103
- 2. CONTACT TERMINATES TO PIC V7363 COAX CABLE OR EQUIVALENT.
- 1. DRAWING ILLUSTRATES FINAL ASSEMBLY. COMPONENTS ARE SHIPPED UNASSEMBLED. INSTALLATION INSTRUCTIONS ARE PACKAGED WITH EACH ASSEMBLY. PACKAGE PER PRODUCTION PROCESS SHEET.

NOTES:

THE USE OF THIS DOCUMENT IS UNLIMITED. HOWEVER, DOCUMENTS REFERENCED HEREON MAY CONTAIN LIMITED RIGHTS DATA.

N/A
NEXT ASSEMBLY

PRO/ENGINEER INFORMATION
Pro/e Model Used:
21-033650-031.ASSEM
Drawing Name:
21-033650-031

UNLESS OTHERWISE SPECIFIED	SPECIFICATIONS	POS	QTY	PART NUMBER	DESCRIPTION	NOTE
LINEAR DIMENSIONS ARE IN INCHES TOLERANCES: .XXXX = ±.0005 ANGLES= ±2° .XXX = ±.010 .XX = ±.03 .X = ±.1 DIM. & TOL. PER ASME Y14.5M; DRM PER MIL-DTL-31000; OTHER Amphenol Stds. PER 9-3800 LEGENDS: =FLAG NOTE CALL OUT REFERENCE ONLY	MATERIAL SPEC.	APPROVALS		PARTS LIST		
	N/A	PREPARED BY	DATE	AMPHENOL CORPORATION 40-60 DELAWARE AVENUE SIDNEY, N.Y. 13858		
PROCESS SPEC.	N/A	ENGINEER IN CHARGE	23-Apr-14	SOCKET CONTACT ASSEMBLY, COAX, SIZE 12 TYPE TV-R, 75 OHMS		
		DESIGN MANAGER	CI	SIZE	CAGE CODE	DOCUMENT NO.
		DESIGN ACTIVITY GROUP		C	77820	21-033650-031
				SCALE: 10.0	REF. 21-033650-030	SHEET 1 OF 1

