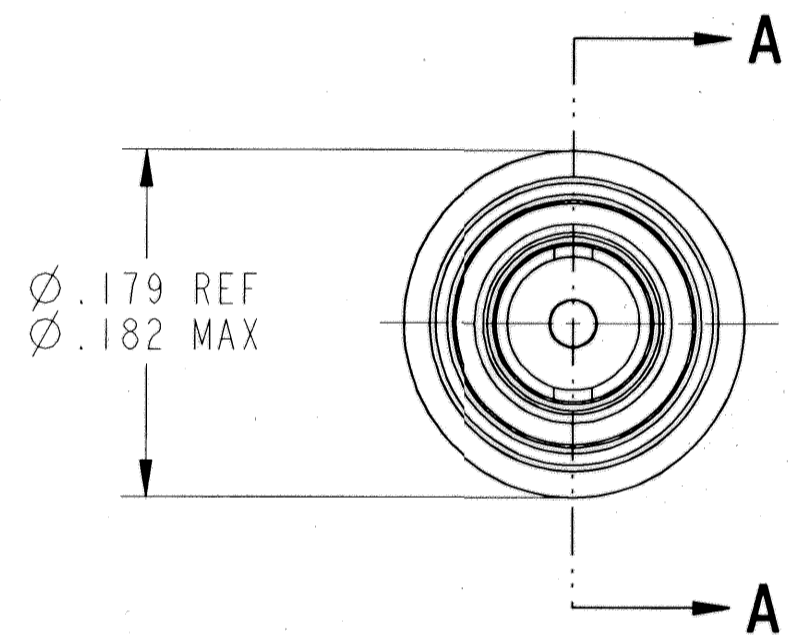
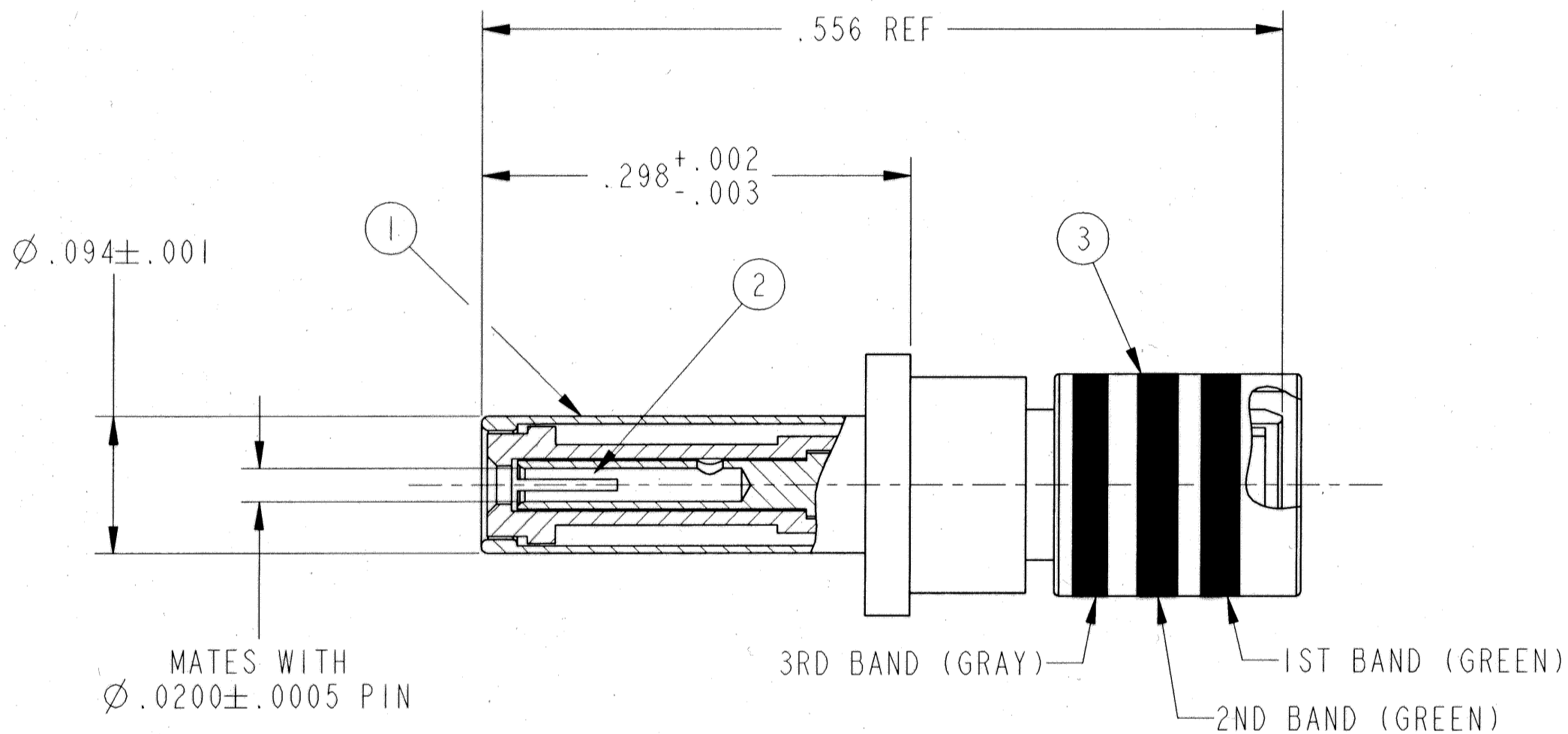


REVISIONS			
LTR	DESCRIPTION	DATE	APPVD
A	INITIAL RELEASE NUM: 70098-441		
B	(CL 11) SEE CHG NOTICE ECN: 87229	V. JONES 2-12-00	K. DAVIS III 3-7-00
C	(CL 11) ADDED NOTE 6 ECN: 92961	V. JONES 4-17-03	<i>[Signature]</i> 4.17.03



6. EACH UNIT PACKAGE LABEL MUST INCLUDE THE FOLLOWING INFORMATION:  
"AMPHENOL CONTACTS"  
21-33651-11  
M39029/102-558
5. MEETS THE REQUIREMENTS OF M39029/102-558.
4. CONTACT TERMINATES RG316 CABLE OR EQUIVALENT.
3. COMPLETE INSTALLATION INSTRUCTIONS PACKAGED WITH EACH ASSEMBLY.
2. INDICATED COMPONENT NOT ILLUSTRATED.
1. PROCESS SPEC: 9-5272-23

NOTES:

THE USE OF THIS DOCUMENT IS UNLIMITED.  
HOWEVER, DOCUMENTS REFERENCED HEREON  
MAY CONTAIN LIMITED RIGHTS DATA.

N/A
N/A
NEXT ASSEMBLY

UNLESS OTHERWISE SPECIFIED	SPECIFICATIONS	POS	QTY	PART NUMBER	DESCRIPTION	NOTE
LINEAR DIMENSIONS ARE IN INCHES TOLERANCES: .XXXX = ±.0005 .XXX = ±.010 .XX = ±.03 .X = ±.1 ANGLES = ±2° OTHER STANDARDS PER 9-3800 AND DOD-D-1000 THIRD ANGLE PROJECTION	MATERIAL SPEC.					
	N/A	APPROVALS	DATE	PARTS LIST		
	PROCESS SPEC.	PREPARED G. LARSON	29-Jun-98	<b>AMPHENOL CORPORATION</b> <small>BENDIX CONNECTOR OPERATIONS SIDNEY, N.Y.</small> COAX CONTACT ASSEMBLY, SIZE 12, TYPE TV-R		
	SEE NOTE 1	CHECKED L. RATCHFORD	12-3-98	SIZE	FSCM NO.	DOCUMENT NO.
	APPROVED L. RATCHFORD	12-3-98	C	77820	21-33651-11	C
	PRO/ENG INFORMATION	21-33651-11.ASSEM		SCALE: 10.0	REF: 21-33651-1	SHEET 1 OF 1
		21-33651-11				

FAMCODES DATA3: TBD CICS: TBD

DOC NO 21-33651-11