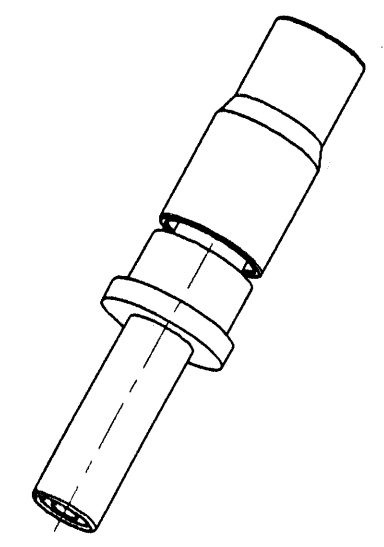
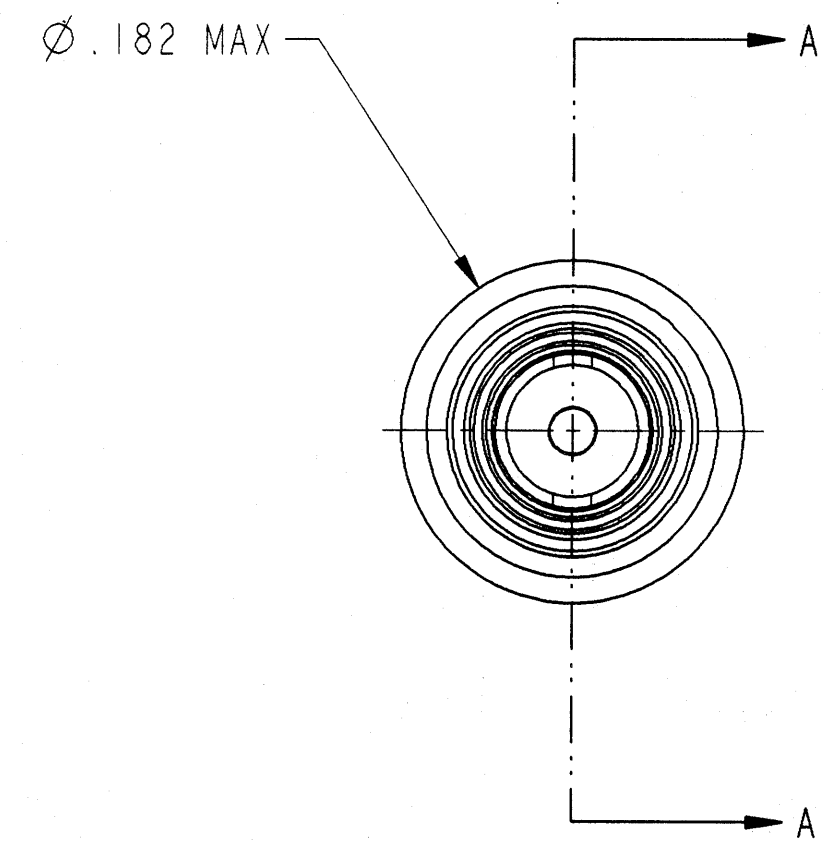
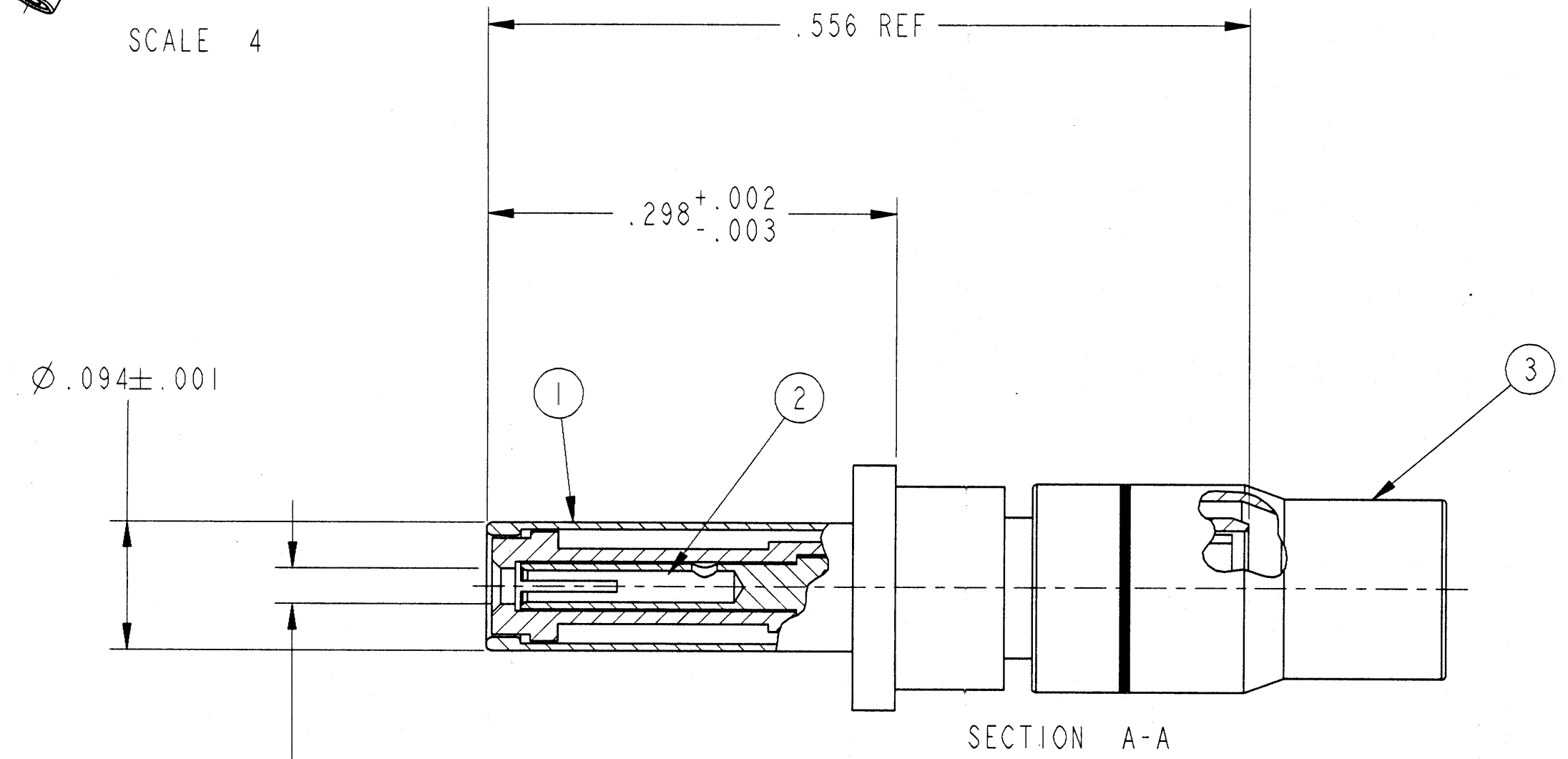


| REVISIONS | | | |
|-----------|-----------------------------------|------|-------|
| LTR | DESCRIPTION | DATE | APPVD |
| A | INITIAL RELEASE NUM: 70099-125 | | |



SCALE 4



4. CONTACT TERMINATES PAN6422XQ, XY & XM CABLE.
3. COMPLETE INSTALLATION INSTRUCTIONS PACKAGED WITH EACH ASSEMBLY. PACKAGE PER PRODUCTION PROCESS SHEET.
2. INDICATED COMPONENT NOT ILLUSTRATED.
1. PROCESS SPEC: 9-5272-23

NOTES:

THE USE OF THIS DOCUMENT IS UNLIMITED. HOWEVER, DOCUMENTS REFERENCED HEREON MAY CONTAIN LIMITED RIGHTS DATA.

| POS | QTY | PART NUMBER | DESCRIPTION | NOTE |
|-----|-----|--------------|---------------------------|------|
| 4 | 1 | 21-33635-1 | INSTALLATION INSTRUCTIONS | 2,3 |
| 3 | 1 | 21-33672-2 | OUTER FERRULE | |
| 2 | 1 | 21-33665-7M | INNER CONTACT ASSEMBLY | |
| 1 | 1 | 21-33213-42M | OUTER CONTACT ASSEMBLY | |

| UNLESS OTHERWISE SPECIFIED | SPECIFICATIONS | PARTS LIST | | | |
|--|----------------|---------------------|---------------------|-----------|--|
| LINEAR DIMENSIONS ARE IN INCHES TOLERANCES: .XXXX = ± .0005 .XXX = ± .010 .XX = ± .03 .X = ± .1 ANGLES = ± 2° OTHER STANDARDS PER 9-3800 AND DOD-D-1000 THIRD ANGLE PROJECTION | MATERIAL SPEC. | APPROVALS | | DATE | AMPHENOL CORPORATION <small>BENDIX CONNECTOR OPERATIONS SIDNEY, N.Y.</small> CCAX CONTACT ASSEMBLY, SIZE 12, TYPE TV-R |
| | N/A | PREPARED | G. LARSON | 29-Jun-98 | |
| | PROCESS SPEC. | CHECKED | <i>L. Waterford</i> | 4/19/99 | |
| | SEE NOTE 1 | MATERIAL | N/A | 4/19/99 | |
| | | APPROVED | <i>L. Waterford</i> | 4/19/99 | |
| | | APPROVED | <i>L. Waterford</i> | 4/19/99 | |
| | | PROJECT INFORMATION | | | |
| | | 21-33651-12, ASSEM | | | |
| | | 21-33651-12 | | | |
| | | SIZE | C | FSCM NO. | 77820 |
| | | DOCUMENT NO. | 21-33651-12 | | REV. A |
| | | SCALE: | 10.0 | REF: | 21-33651-11 |
| | | SHEET 1 OF 1 | | | |

FAMCODES DATA3: TBD CICS: TBD

DOC NO 21-33651-12