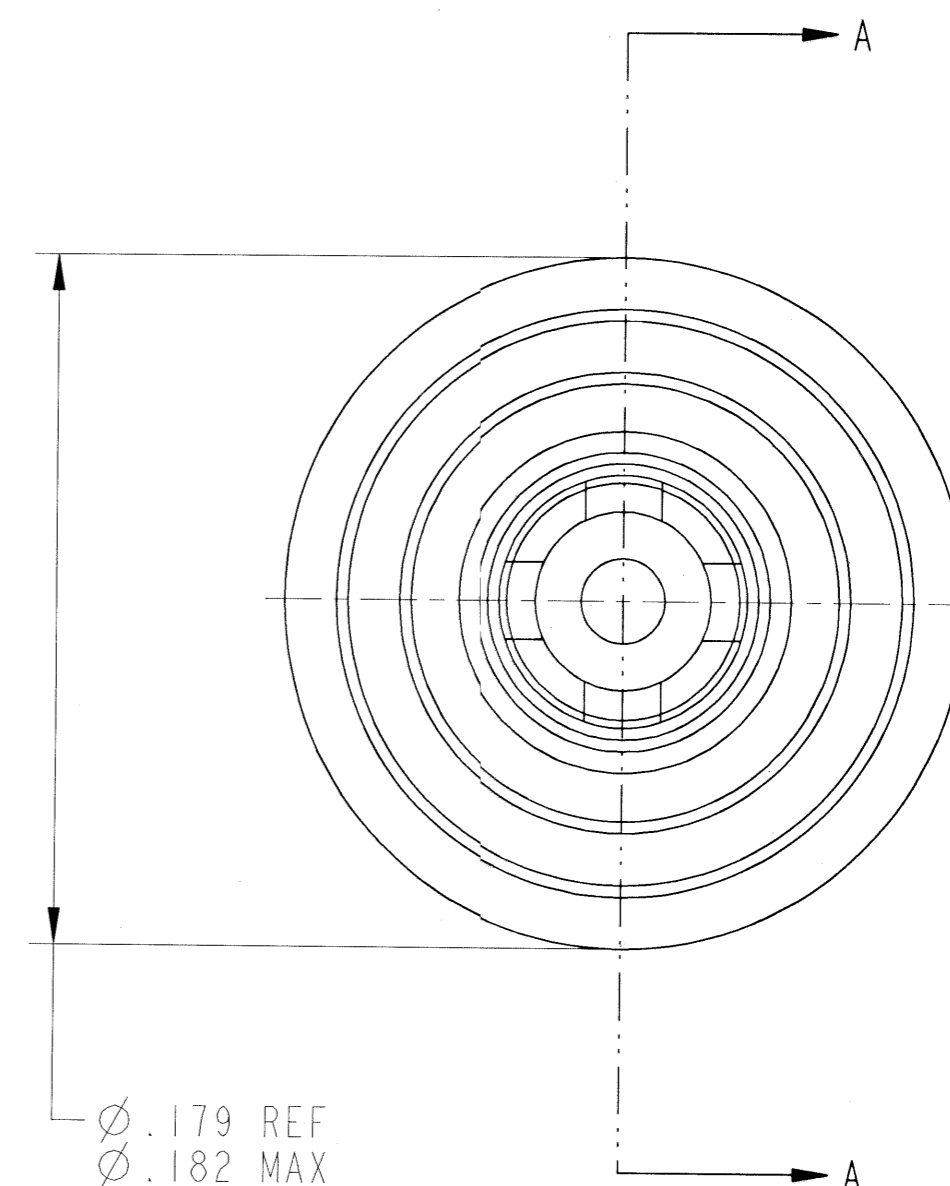
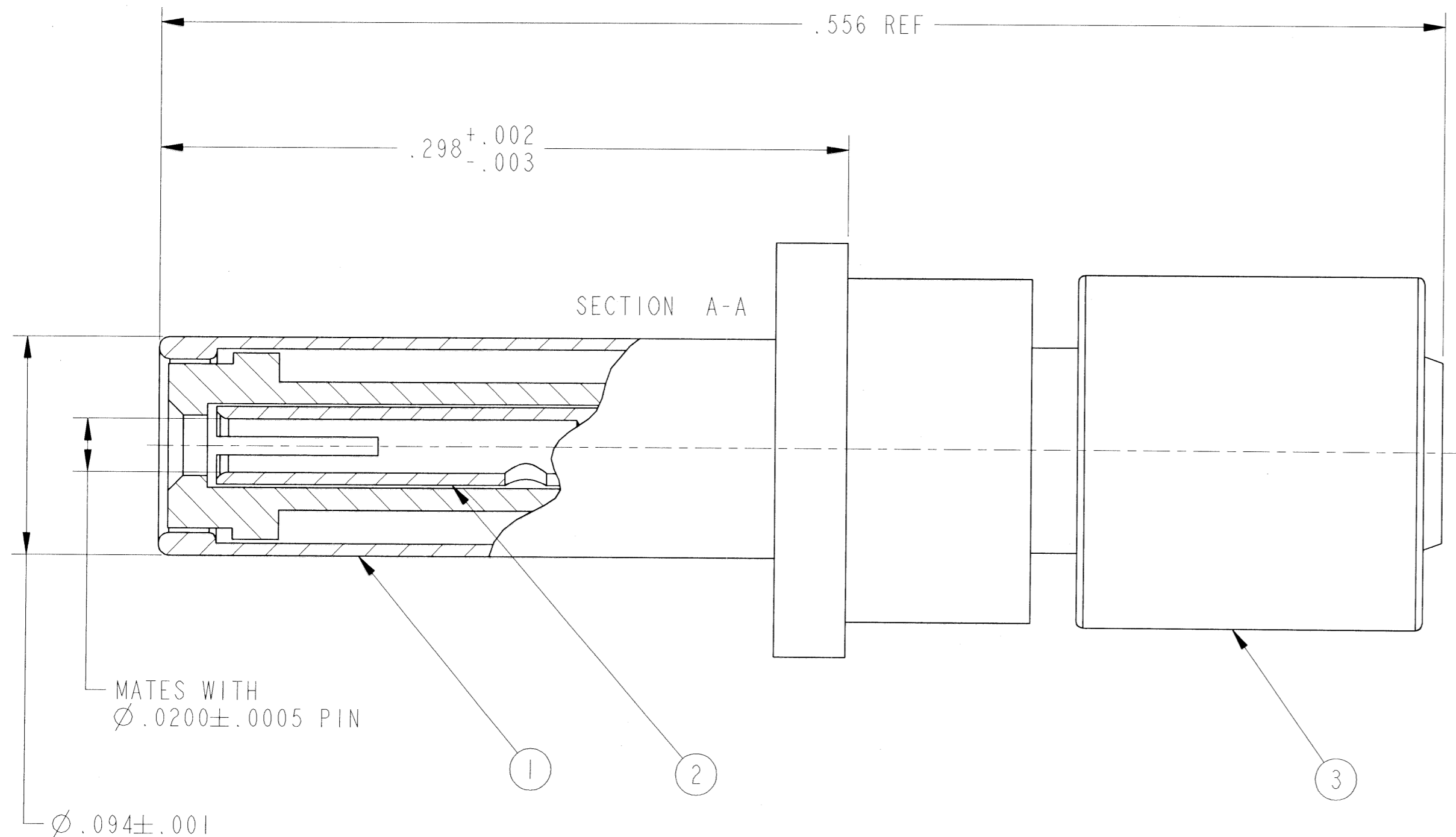


SCALE 6.000

REVISIONS			
LTR	DESCRIPTION	DATE	APPVD
A	INITIAL RELEASE NUM: <u>R1002-28</u>		



- 5. MEETS THE APPLICABLE REQUIREMENTS OF M39029/28 & /102
- 4. CONTACT TERMINATES RG178 CABLE OR EQUIVALENT.
- 3. COMPLETE INSTALLATION INSTRUCTIONS PACKAGED WITH EACH ASSEMBLY. PACKAGE PER PRODUCTION SHEET.
- 2. INDICATED COMPONENT NOT ILLUSTRATED.
- 1. PROCESS SPEC: 9-5272-23

NOTES:

THE USE OF THIS DOCUMENT IS UNLIMITED. HOWEVER, DOCUMENTS REFERENCED HEREON MAY CONTAIN LIMITED RIGHTS DATA.

POS	QTY	PART NUMBER	DESCRIPTION	NOTE
5	1	L-2092-K	INSTALLATION INSTRUCTIONS	2,3
4	1	10-806165-2	SEALING SLEEVE	2
3	1	21-33727-5	OUTER FERRULE	
2	1	21-33727-2M	INNER CONTACT ASSEMBLY	
1	1	21-33651-18M	OUTER CONTACT ASSEMBLY	

UNLESS OTHERWISE SPECIFIED	SPECIFICATIONS	PARTS LIST			
LINEAR DIMENSIONS ARE IN INCHES TOLERANCES: .XXXX = ±.0005 .XXX = ±.010 .XX = ±.03 .X = ±.1 ANGLES = ±2° OTHER STANDARDS PER 9-3800 AND DOD-D-1000 THIRD ANGLE PROJECTION	MATERIAL SPEC.	APPROVALS		DATE	AMPHENOL CORPORATION <small>BENDIX CONNECTOR OPERATIONS SYDNEY, N.Y.</small> COAX CONTACT ASSEMBLY, SIZE 12, TYPE JT-R, RG178 CABLE, MATCHED
	N/A	PREPARED	RATCHFORD	4-JAN-02	
	PROCESS SPEC.	CHECKED	<i>[Signature]</i>	1/17/02	
	SEE NOTE 1	MATERIAL	<i>[Signature]</i>	1/17/02	
		APPROVED	<i>[Signature]</i>	1/17/02	SIZE C FSCM NO. 77820 DOCUMENT NO. 21-33651-18 REV. A
		PRO/ENG INFORMATION			SCALE: 20.0 REF: 21-33651-11 SHEET 1 OF 1

N/A

N/A

NEXT ASSEMBLY

FAMCODES DATA3: TBD CICS: TBD

21-33651-18

1 OF 1

A