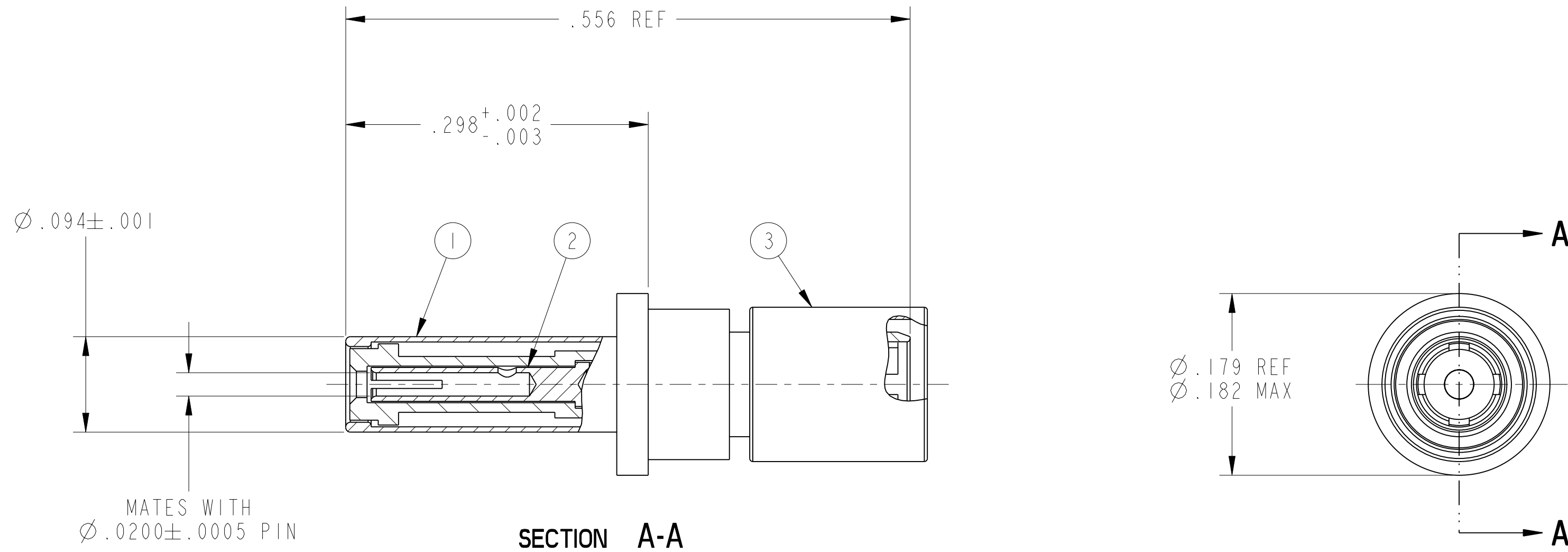
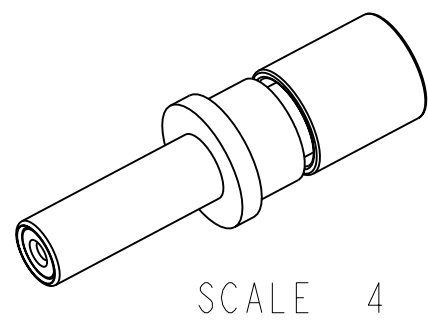


REV. A		SHEET 1 OF 1		DOCUMENT NO. 21-33651-22	
REVISIONS					
LTR	DESCRIPTION			DATE	
A	INITIAL RELEASE				



5. MEETS THE APPLICABLE REQUIREMENTS OF M39029/102-558.
4. CONTACT TERMINATES SFT-316-TR CABLE OR EQUIVALENT.
3. COMPLETE INSTALLATION INSTRUCTIONS PACKAGED WITH EACH ASSEMBLY.
2. INDICATED COMPONENT NOT ILLUSTRATED.
1. PROCESS SPEC: 9-5272-23

NOTES:
 THE USE OF THIS DOCUMENT IS UNLIMITED. HOWEVER, DOCUMENTS REFERENCED HEREON MAY CONTAIN LIMITED RIGHTS DATA.

POS	QTY	PART NUMBER	DESCRIPTION	NOTE
4	1	L-2092-N	INSTALLATION INSTRUCTIONS	2,3
3	1	21-33671-3	OUTER FERRULE	
2	1	21-33839-1M	INNER CONTACT ASSEMBLY	
1	1	21-33213-42M	OUTER CONTACT ASSEMBLY	

APPROVALS		DATE	AMPHENOL CORPORATION <small>40-60 DELAWARE AVENUE SIDNEY, N.Y. 13838</small> COAX CONTACT ASSEMBLY, SIZE 12, TYPE TV-R	
PREPARED BY	RATCHFORD			
ENGINEER IN CHARGE	RATCHFORD			
DESIGN MANAGER	ADAVIS			
DESIGN ACTIVITY GROUP	MIL AERO		22-Apr-03	
THIRD ANGLE PROJECTION			SIZE	REV. A
			C	
			CAGE CODE	
			77820	
			DOCUMENT NO.	
			21-33651-22	
			SCALE: 10.0 REF:	
			21-33651-11	
			SHEET 1 OF 1	

UNLESS OTHERWISE SPECIFIED

SPECIFICATIONS

MATERIAL SPEC. N/A

PROCESS SPEC. SEE NOTE 1

LINEAR DIMENSIONS ARE IN INCHES
 TOLERANCES:
 .XXXX = ±.0005 ANGLES = ±2°
 .XXX = ±.010
 .XX = ±.03
 .X = ±.1

DIM. & TOL. PER ASME Y14.5M;
 DRM PER MIL-DTL-31000;
 OTHER Amphenol Sds. PER 9-3800

LEGENDS:
 = FLAG NOTE CALL OUT REFERENCE ONLY

N/A	PRO/ENGINEER INFORMATION
N/A	Pro/e Model Used: 21-33651-22.12P.COAX.ASY.ASSEM
N/A	Drawing Name: 21-33651-22.12P.COAX.ASY
N/A	NEXT ASSEMBLY

DOCUMENT NO. 21-33651-22
 SHEET 1 OF 1
 REV. A
 C
 B
 A

REV. A
 SHEET 1 OF 1
 DOCUMENT NO. 21-33651-22