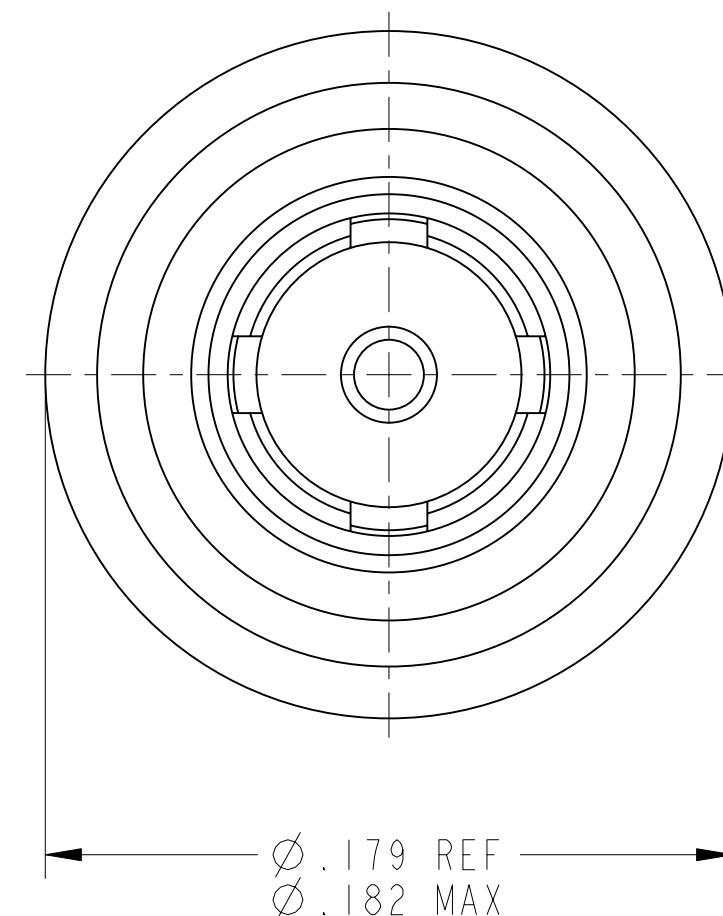
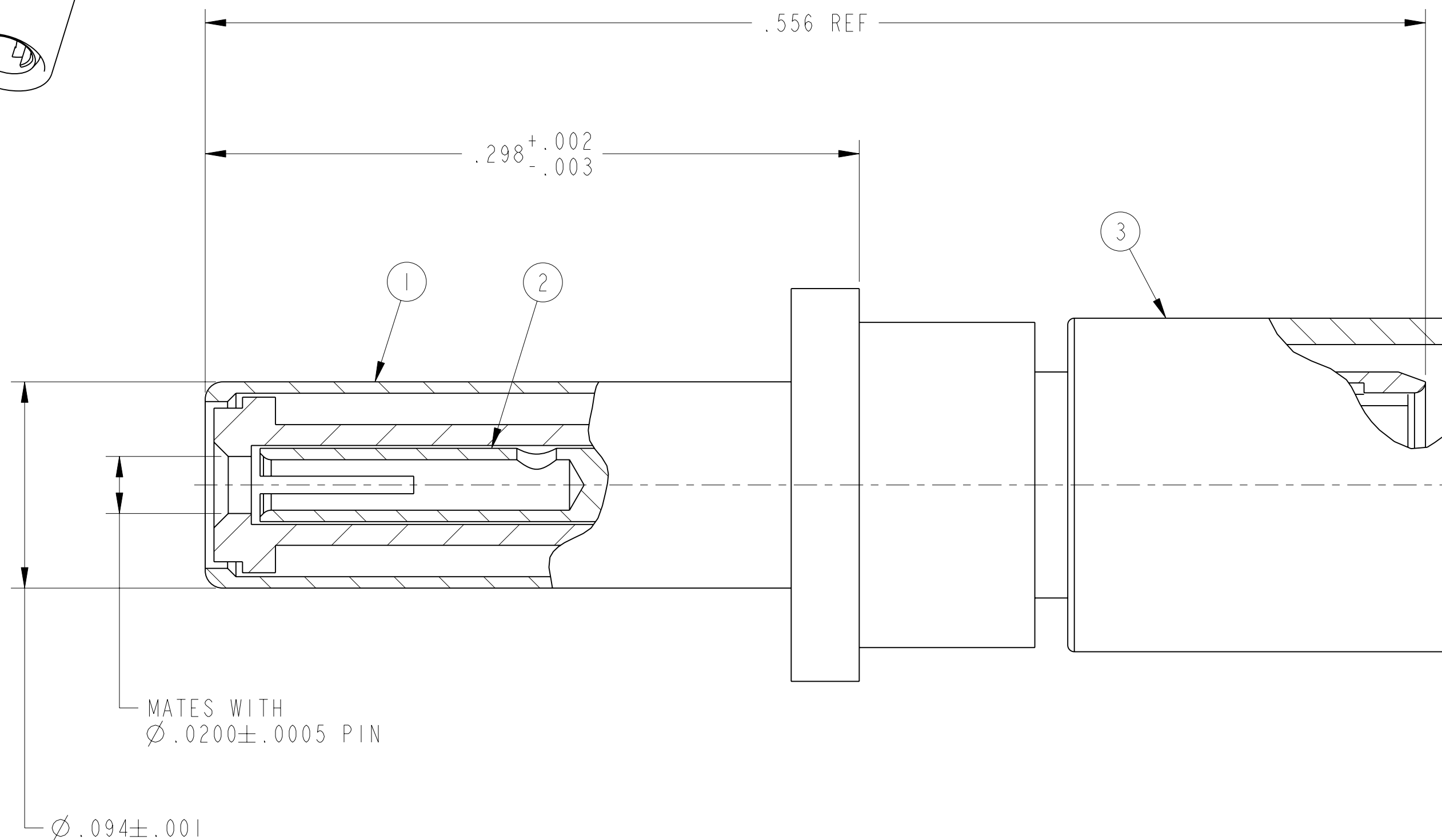
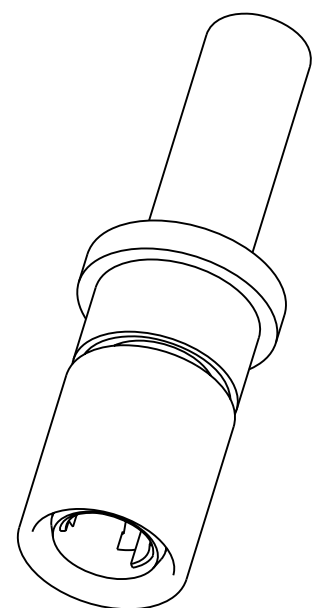


REV. A	SHEET 1 OF 1	DOCUMENT NO. 21-033651-030
REVISIONS		
LTR	DESCRIPTION	DATE
A	INITIAL RELEASE	



MATES WITH  
Ø.0200 ± .0005 PIN

- 5. MEETS THE APPLICABLE REQUIREMENTS OF AS39029/102
- 4. CONTACT TERMINATES M17/094-RG179 CABLE OR EQUIVALENT.
- 3. COMPLETE INSTALLATION INSTRUCTIONS PACKAGED WITH EACH ASSEMBLY.
- 2. INDICATED ITEM NOT ILLUSTRATED.
- 1. PROCESS SPEC: 9-5272-23.

**NOTES:**

THE USE OF THIS DOCUMENT IS UNLIMITED. HOWEVER, DOCUMENTS REFERENCED HEREON MAY CONTAIN LIMITED RIGHTS DATA.

UNLESS OTHERWISE SPECIFIED	SPECIFICATIONS
LINEAR DIMENSIONS ARE IN INCHES TOLERANCES: .XXXX = ±.0005 ANGLES= ±2° .XXX = ±.010 .XX = ±.03 .X = ±.1	MATERIAL SPEC. N/A
DIM. & TOL. PER ASME Y14.5M; DRM PER MIL-DTL-31000; OTHER Amphenol Stds. PER 9-3800	PROCESS SPEC. SEE NOTE 1
LEGENDS: = FLAG NOTE CALL OUT REFERENCE ONLY	

POS	QTY	PART NUMBER	DESCRIPTION	NOTE
4	1	L-2092-AM	INSTALLATION INSTRUCTIONS	2, 3
3	1	21-033671-003	OUTER FERRULE	
2	1	21-033665-30M	INNER CONTACT ASSEMBLY	
1	1	21-033651-030M	OUTER CONTACT ASSEMBLY	

APPROVALS		DATE
PREPARED BY	RATCHFORD	28-Feb-14
ENGINEER IN CHARGE	RATCHFORD	
DESIGN MANAGER	A.DAVIS	
DESIGN ACTIVITY GROUP	MIL AERO	
THIRD ANGLE PROJECTION		

PARTS LIST			
<b>AMPHENOL CORPORATION</b> 40-60 DELAWARE AVENUE SIDNEY, N.Y. 13858			
<b>COAX CONTACT ASSEMBLY, SIZE 12, PIN, TYPE TV-R, 75 OHMS</b>			
SIZE <b>C</b>	CAGE CODE <b>77820</b>	DOCUMENT NO. <b>21-033651-030</b>	REV. <b>A</b>
SCALE: 6.0		REF. 21-33651-11	SHEET 1 OF 1

PRO/ENGINEER INFORMATION
Pro/e Model Used:
21-033651-030.ASSEM
Drawing Name:
21-033651-030

N/A
NEXT ASSEMBLY

RELEASED / Mar . 21 2014, 8:22:03 AM

DOCUMENT NO.  
**21-033651-030**

SHEET 1 OF 1

REV.  
**A**

DOCUMENT NO. 21-033651-030  
 SHEET 1 OF 1  
 REV. A  
 Eng. PDM Information For Reference Only  
 REVISION A  
 VERSION 1