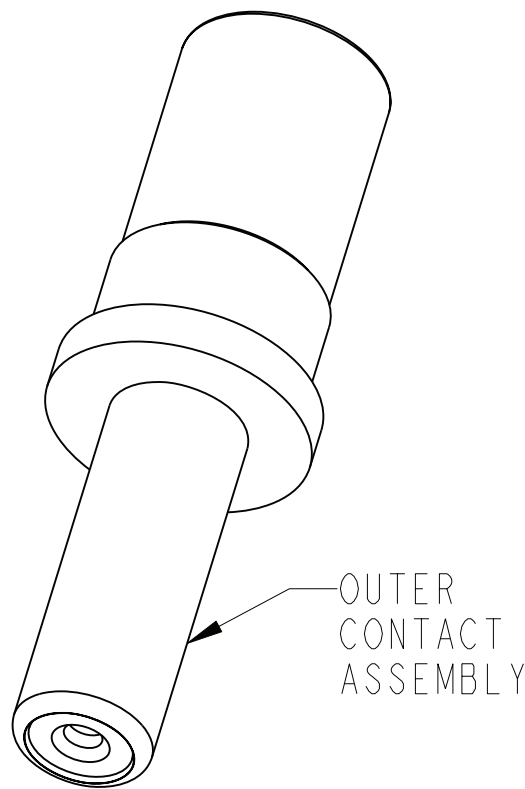
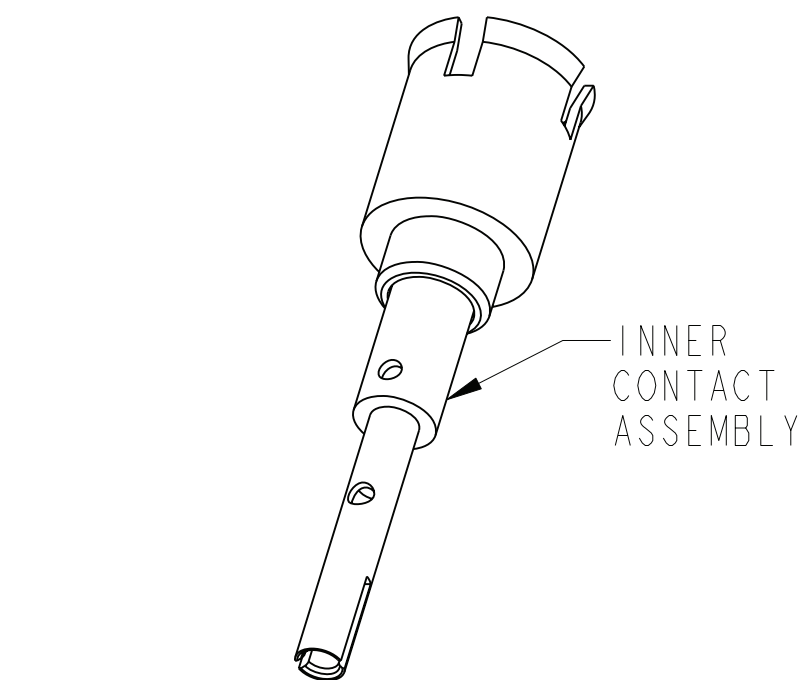
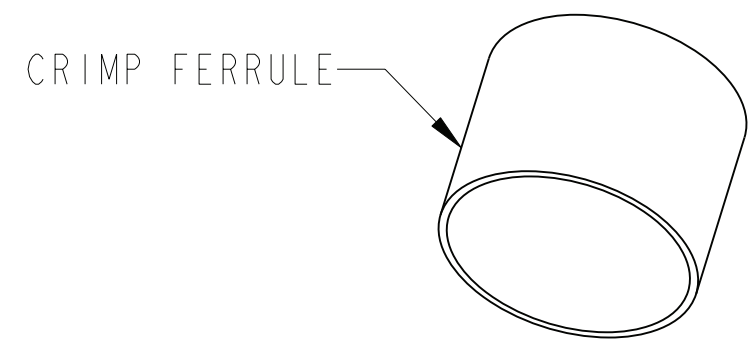
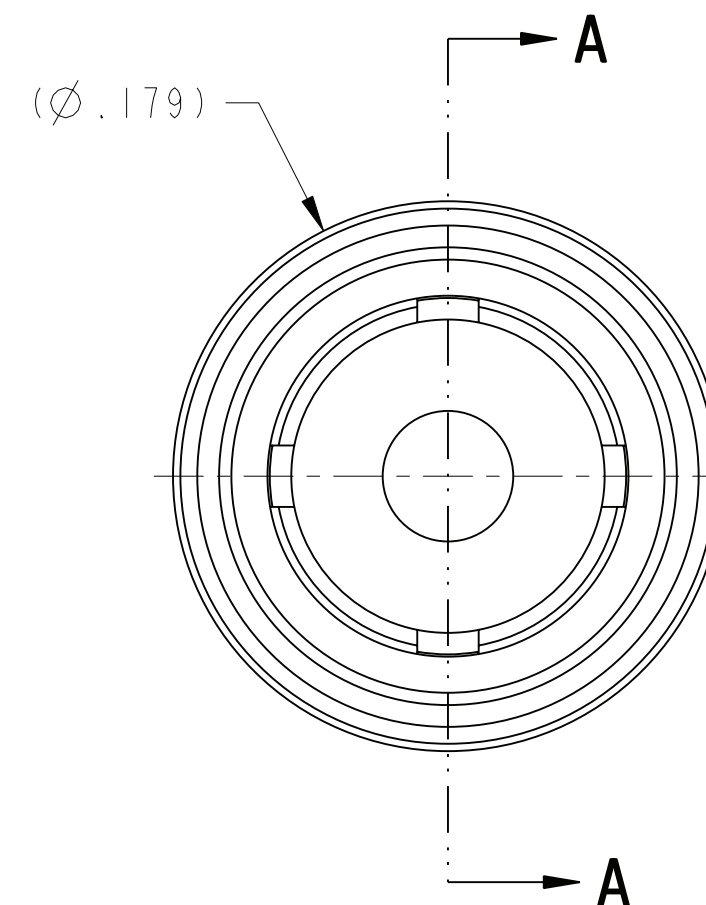
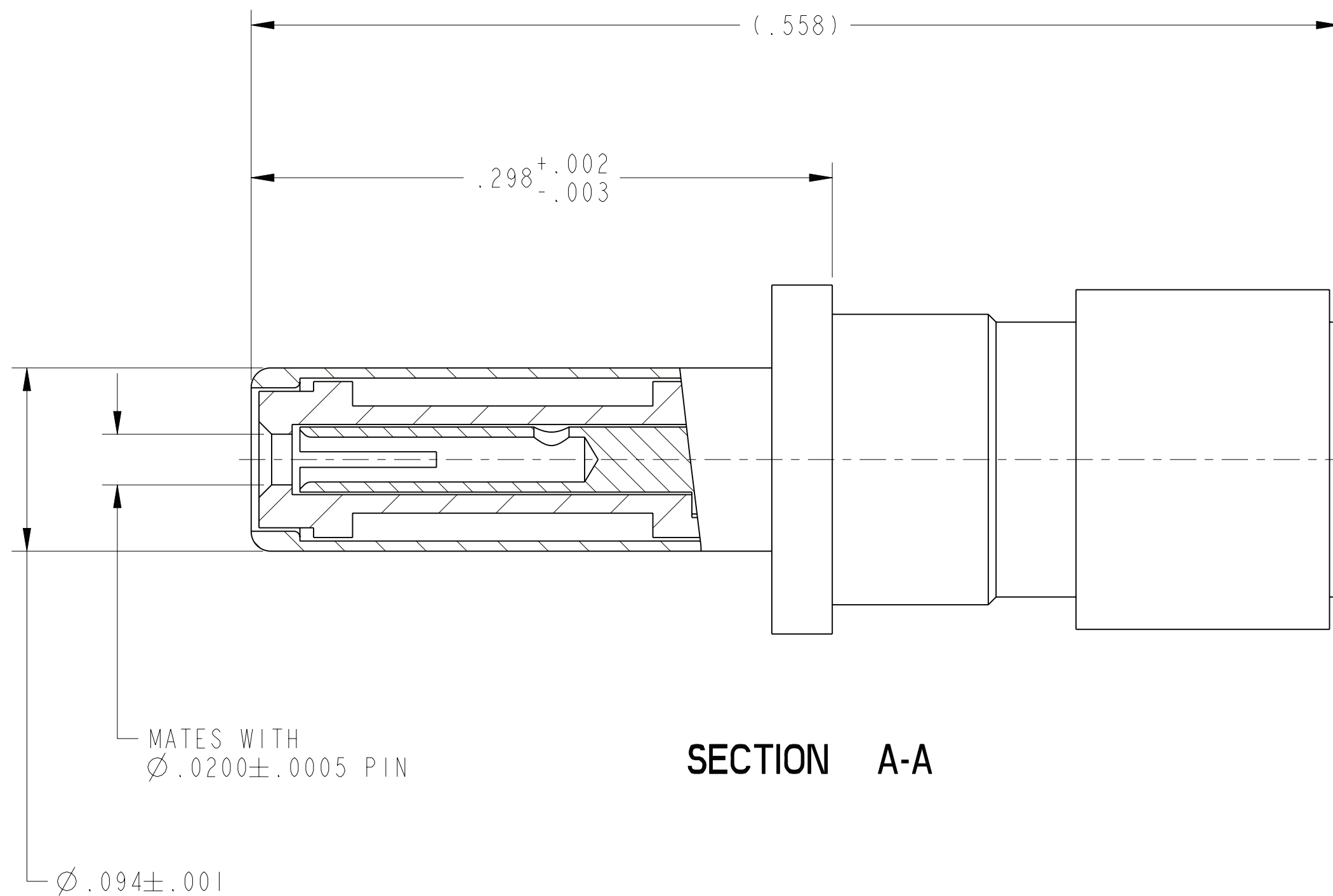


REV. A	SHEET 1 OF 1	DOCUMENT NO. 21-033651-041
REVISIONS M		
LTR	DESCRIPTION	DATE
A	INITIAL RELEASE	18-Jan-2019



EXPLODED VIEW



3. MEETS THE APPLICABLE REQUIREMENTS OF M39029/28 & /102.
2. CONTACT TERMINATES TO PIC S86208 COAXIAL CABLE OR EQUIVALENT.
1. COMPLETE INSTALLATION INSTRUCTIONS PACKAGED WITH EACH ASSEMBLY. DRAWING ILLUSTRATES FINAL ASSEMBLY. COMPONENTS ARE SHIPPED UNASSEMBLED. PACKAGE PER PRODUCTION PROCESS SHEET.

NOTES:

THE USE OF THIS DOCUMENT IS UNLIMITED. HOWEVER, DOCUMENTS REFERENCED HEREON MAY CONTAIN LIMITED RIGHTS DATA.

N/A
NEXT ASSEMBLY

PRO/ENGINEER INFORMATION
Pro/e Model Used:
21-033651-041.ASSEM
Drawing Name:
21-033651-041

UNLESS OTHERWISE SPECIFIED	SPECIFICATIONS	POS	QTY	PART NUMBER	DESCRIPTION	NOTE
LINEAR DIMENSIONS ARE IN INCHES TOLERANCES: .XXXX = ±.0005 ANGLES= ±2° .XXX = ±.010 .XX = ±.03 .X = ±.1 DIM. & TOL. PER ASME Y14.5M; DRM PER MIL-DTL-31000; OTHER Amphenol Stds. PER 9-3800 LEGENDS: =FLAG NOTE CALL OUT REFERENCE ONLY	MATERIAL SPEC.	APPROVALS		PARTS LIST		
	NONE	PREPARED BY	DATE	AMPHENOL CORPORATION <small>40-60 DELAWARE AVENUE SIDNEY, N.Y. 13838</small>		
PROCESS SPEC.	ENGINEER IN CHARGE	PCOLE	08-May-14	COAX CONTACT ASSEMBLY, PIN SIZE 12 TYPE JT-R		
NONE	DESIGN MANAGER	DPHILLIPS		SIZE	CAGE CODE	DOCUMENT NO.
	DESIGN ACTIVITY GROUP	EHICKEY		C	77820	21-033651-041
				SCALE: 12.0	REF. 21-33651-18	SHEET 1 OF 1
						REV. A