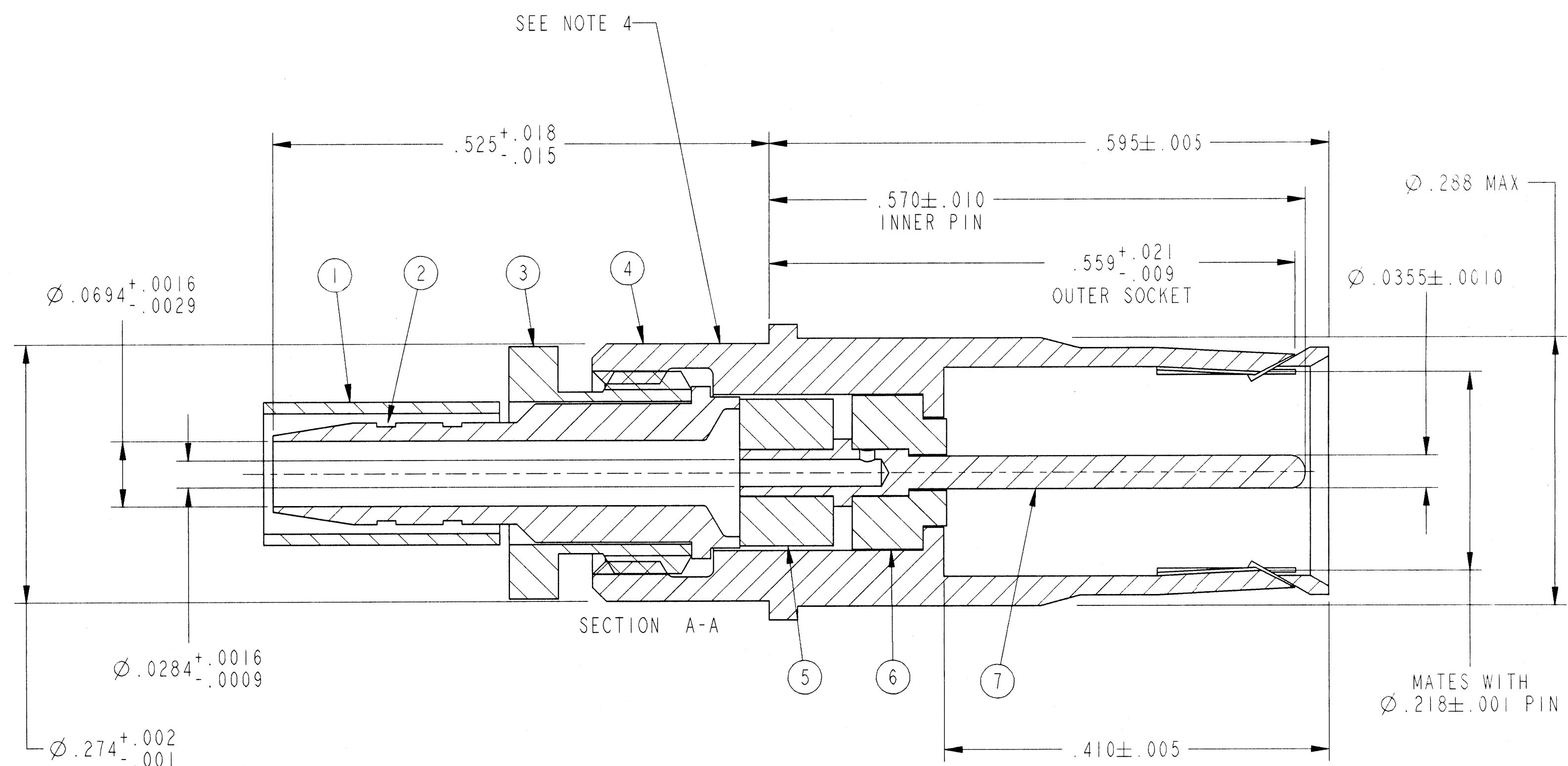
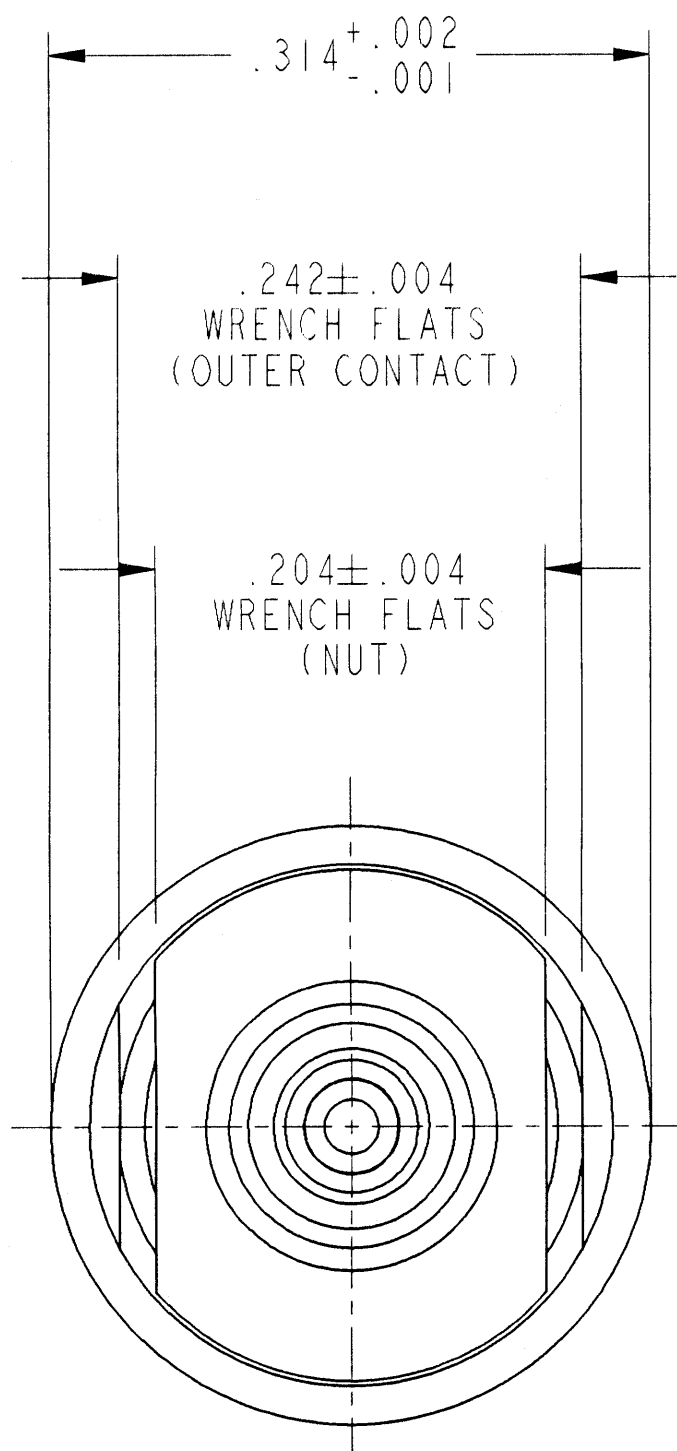


REVISIONS			
LTR	DESCRIPTION	DATE	APPVD
A	INITIAL RELEASE NUM: 70098-54		



- 6. MATES WITH 21-33676-() COAX CONTACTS.
- 5. FOR USE WITH COAX CABLE M17/094-RG179 OR EQUIVALENT.
- 4. BLACK INK STAMP TRADEMARK PER 9-6700, TYPE IV, PER 9-7530 OR 9-3856-5 IN APPROX POSITON SHOWN ON THE OUTER CONTACT. TRADEMARK DIRECTION OPTIONAL AND MAY BE SOLID.
- 3. INDICATED ITEM NOT ILLUSTRATED.
- 2. DRAWING ILLUSTRATES FINAL ASSEMBLY. COMPLETE INSTALLATION INSTRUCTIONS (F/N 8) ARE PACKAGED WITH EACH ASSEMBLY. PACKAGE PER PRODUCTION PROCESS SHEET.
- 1. PROCESS SPEC:
9-6700, 9-7530, 9-3856-5.

NOTES:
THE USE OF THIS DOCUMENT IS UNLIMITED. HOWEVER, DOCUMENTS REFERENCED HEREON MAY CONTAIN LIMITED RIGHTS DATA.

COMPANY ID: 9	CODED/MS/CUST: N	N/A
INTERNAL: N	LOT NO: N	N/A
DATE CODE: N	SEE DRAW: N	N/A
STAMPING DATA		NEXT ASSEMBLY

UNLESS OTHERWISE SPECIFIED
SPECIFICATIONS
MATERIAL SPEC: N/A
PROCESS SPEC: SEE NOTE 1
OTHER STANDARDS PER 9-3800 AND DOD-D-1000
THIRD ANGLE PROJECTION

POS	QTY	PART NUMBER	DESCRIPTION	NOTE
8	1	21-33684-1	INSTALLATION INSTRUCTIONS	2,3
7	1	21-33678-1	INNER CONTACT	
6	1	21-1305-35	FRONT INSULATOR	
5	1	21-1312-20	BACK INSULATOR	
4	1	21-33682-1	OUTER CONTACT	4
3	1	21-1552-85	NUT	
2	1	21-33679-1	RETAINER	
1	1	10-92703-145	FERRULE	

AMPHENOL CORPORATION
BENDIX CONNECTOR OPERATIONS
SIDNEY, N.Y.

CONTACT, SOCKET, COAXIAL, SIZE 8, U
ELECTRICAL CONNECTOR,
TYPE ARINC 600

SCALE: 10.0 REF: 21-33101 SHEET 1 OF 1

REV. A

21-33675-1