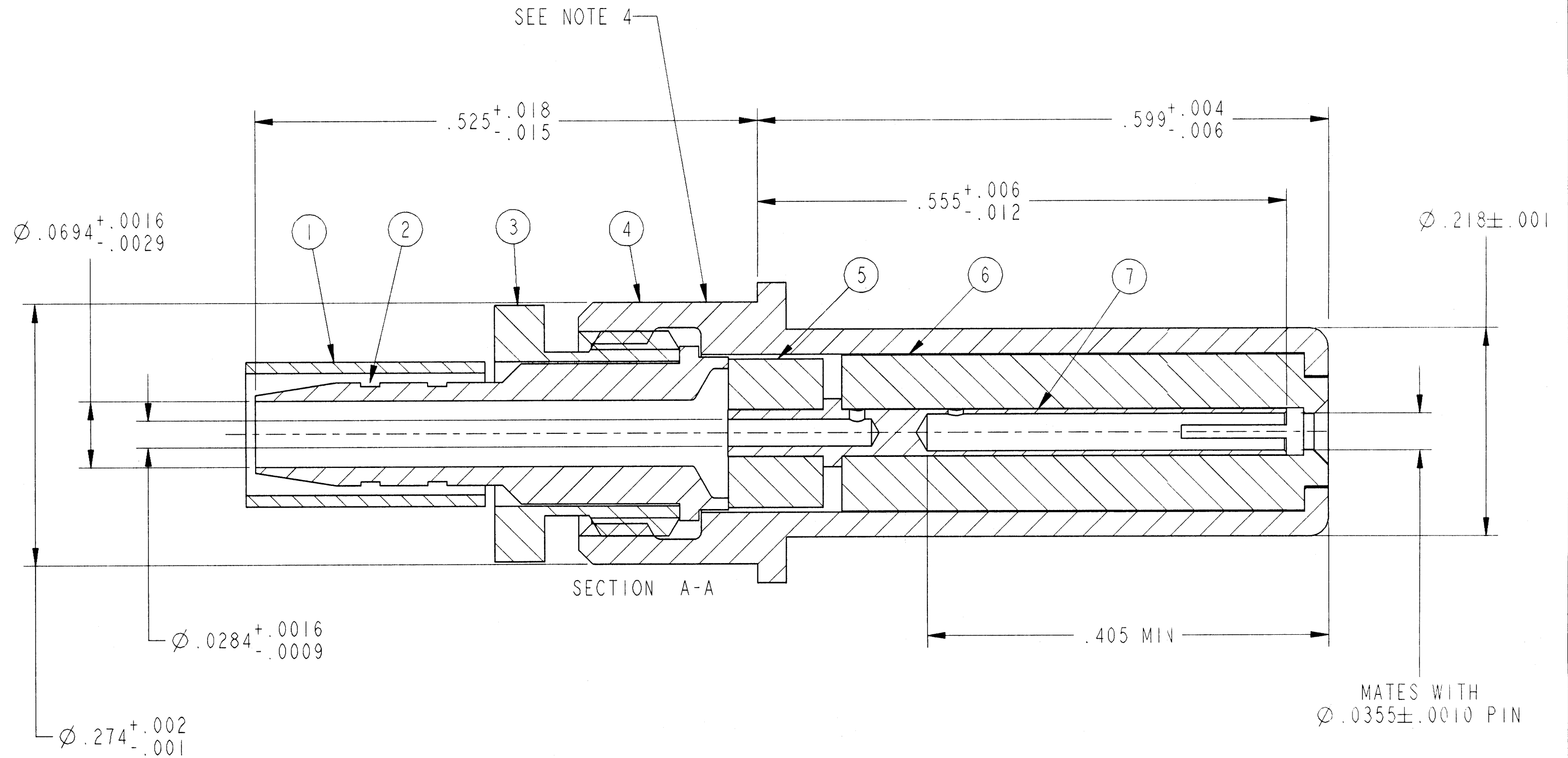
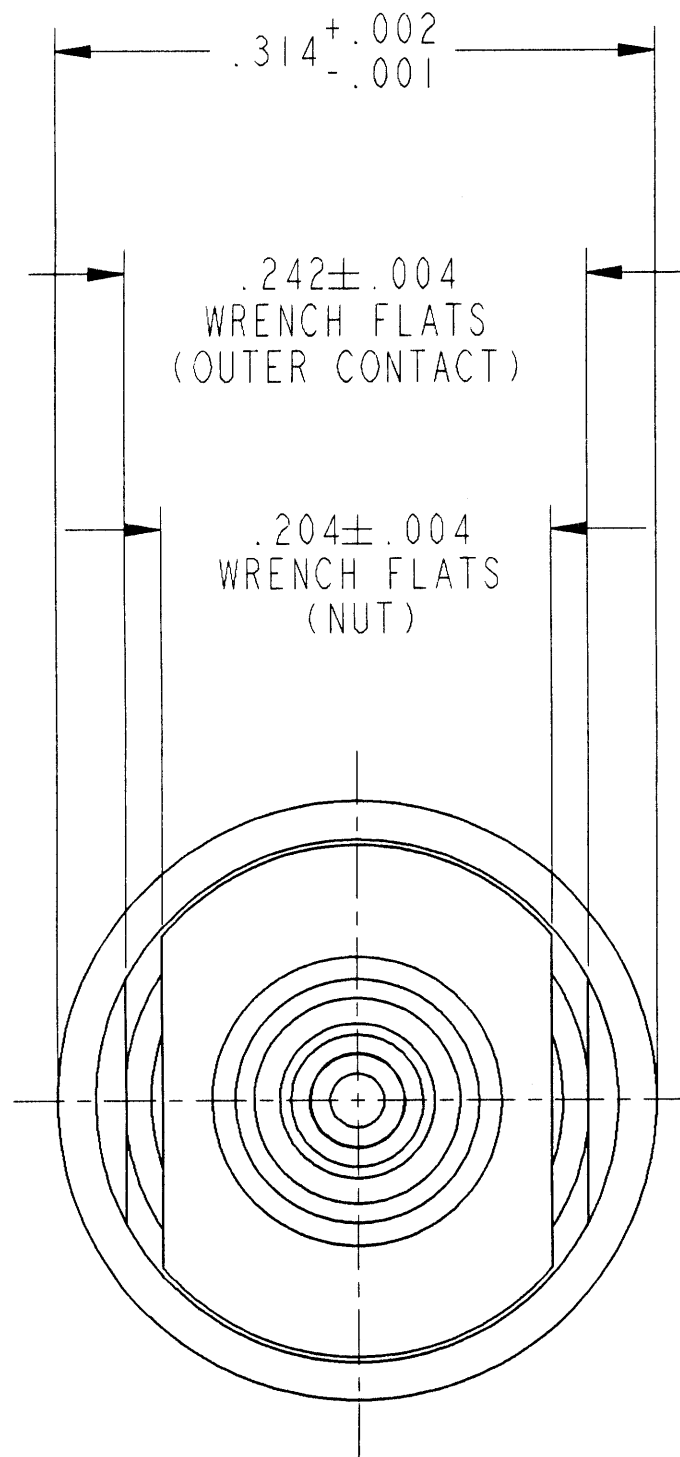


| REVISIONS |   |      |       |
|-----------|---|------|-------|
| LTR       | DESCRIPTION                                 | DATE | APPVD |
| A         | INITIAL RELEASE<br>NUM: <del>20096-56</del> |      |       |



6. MATES WITH 21-33675-( ) COAX CONTACTS.
5. FOR USE WITH COAX CABLE MI7/094-RG179 OR EQUIVALENT.
4. BLACK INK STAMP TRADEMARK PER 9-6700, TYPE IV, PER 9-7530 OR 9-3856-5 IN APPROX POSITON SHOWN ON THE OUTER CONTACT. TRADEMARK DIRECTION OPTIONAL AND MAY BE SOLID.
3. INDICATED ITEM NOT ILLUSTRATED.
2. DRAWING ILLUSTRATES FINAL ASSEMBLY. COMPLETE INSTALLATION INSTRUCTIONS (F/N 8) ARE PACKAGED WITH EACH ASSEMBLY. PACKAGE PER PRODUCTION PROCESS SHEET.
1. PROCESS SPEC:  
9-6700, 9-7530, 9-3856-5.

**NOTES:**

THE USE OF THIS DOCUMENT IS UNLIMITED. HOWEVER, DOCUMENTS REFERENCED HEREON MAY CONTAIN LIMITED RIGHTS DATA.

|               |                  |               |
|---------------|------------------|---------------|
| COMPANY ID: 9 | CODED/MS/CUST: N | N/A           |
| INTERNAL: N   | LOT NO: N        | N/A           |
| DATE CODE: N  | SEE DRAW: N      | N/A           |
| STAMPING DATA |                  | NEXT ASSEMBLY |

| POS | QTY | PART NUMBER  | DESCRIPTION               | NOTE |
|-----|-----|--------------|---------------------------|------|
| 8   | 1   | 21-33684-2   | INSTALLATION INSTRUCTIONS | 2,3  |
| 7   | 1   | 21-33677-1   | INNER CONTACT             |      |
| 6   | 1   | 21-33680-1   | FRONT INSULATOR           |      |
| 5   | 1   | 21-1312-20   | BACK INSULATOR            |      |
| 4   | 1   | 21-33683-1   | OUTER CONTACT             | 4    |
| 3   | 1   | 21-1552-85   | NUT                       |      |
| 2   | 1   | 21-33679-1   | RETAINER                  |      |
| 1   | 1   | 10-92703-145 | FERRULE                   |      |

| UNLESS OTHERWISE SPECIFIED  | SPECIFICATIONS  | POS                   | QTY         | PART NUMBER  | DESCRIPTION   | NOTE |
|---|---|-----------------------|-------------|--|---|------|
| LINEAR DIMENSIONS ARE IN INCHES<br>TOLERANCES:<br>.XXXX = ±.0005<br>.XXX = ±.010<br>.XX = ±.03<br>.X = ±.1<br>ANGLES = ±2°<br>OTHER STANDARDS PER 9-3800 AND DOD-D-1000<br>THIRD ANGLE PROJECTION | MATERIAL SPEC. APPROVALS DATE<br>N/A<br>PREPARED RATCHFORD 15-JUN-97<br>CHECKED <i>L. Ratchford</i> 3-4-98<br>MATERIAL<br>PROCESS SPEC. APPROVED <i>L. Ratchford</i> 3-4-98<br>SEE NOTE 1 |                       |             |  | CONTACT, PIN, COAXIAL, SIZE 8, ELECTRICAL CONNECTOR, TYPE ARINC 600 |      |
|   |   |                       |             | PARTS LIST   |   |      |
|   |   |                       |             | <b>AMPHENOL CORPORATION</b><br>BENDIX CONNECTOR OPERATIONS<br>SIDNEY, N.Y. |   |      |
|   |   | SITE                  | FSCM NO.    | DOCUMENT NO.   | REV.  |      |
|   |   | C                     | 77820       | 21-33676-1   | A   |      |
|   |   | PRO/ENG INFORMATION   | SCALE: 10.0 | REF: 21-33102  | SHEET 1 OF 1  |      |
|   |   | ARINC_8P_RG179A.ASSEM |             |  |   |      |
|   |   | AC_8P_ASY_RG179A      |             |  |   |      |

FAMCODES DATA3: FALSE CICS: FALSE

21-33676-1