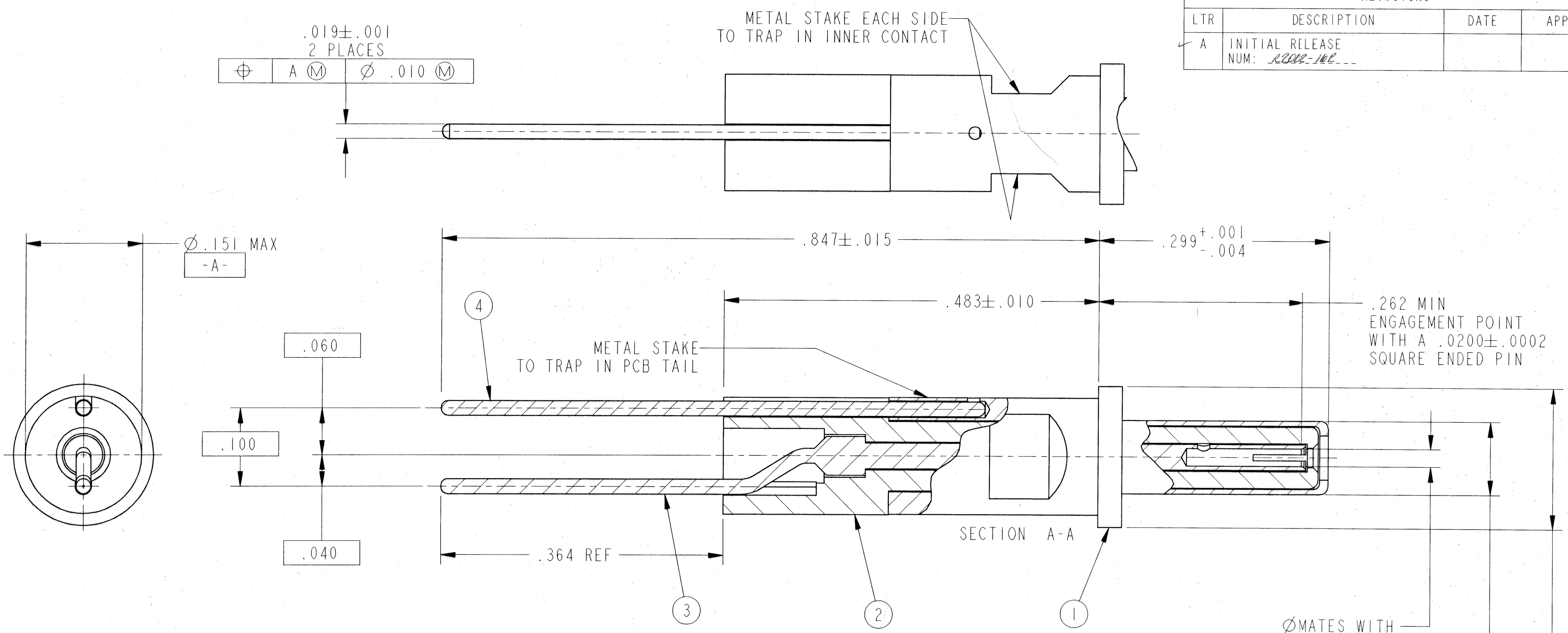


REVISIONS			
LTR	DESCRIPTION	DATE	APPVD
A	INITIAL RELEASE NUM: <i>R2002-142</i>		



4. DIELECTRIC WITHSTANDING VOLTAGE TEST:

CONTACT ASSEMBLY SHALL MEET THE FOLLOWING REQUIREMENTS AFTER ASSEMBLY HAS BEEN COMPLETED.

- A. A TEST VOLTAGE OF 500 VOLTS AC RMS SHALL BE APPLIED BETWEEN THE INNER AND OUTER CONTACTS.
- B. THE VOLTAGE SHALL BE APPLIED FOR 2 SECONDS MINIMUM.
- C. THE LEAKAGE CURRENT SHALL NOT EXCEED 1 MILLIAMPERE.
- D. THERE SHALL BE NO EVIDENCE OF BREAKDOWN OR FLASHOVER.

3. PACKAGE PER PRODUCTION SHEET.  
HANDLE CAREFULLY TO AVOID DISTORTION OF PCB TAILS.

2. CLEANING OF PARTS IN CHLORINATED SOLVENTS IS NOT PERMISSIBLE.

1. MATES WITH COAXIAL SOCKET CONTACTS 21-33123-54() & 21-33121-54().

NOTES:

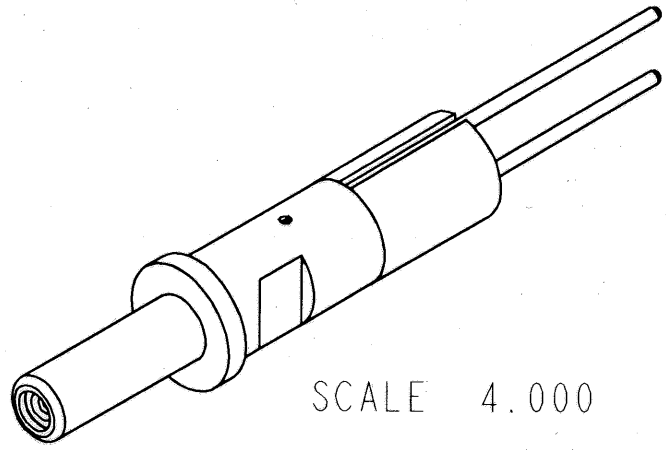
THE USE OF THIS DOCUMENT IS UNLIMITED. HOWEVER, DOCUMENTS REFERENCED HEREON MAY CONTAIN LIMITED RIGHTS DATA.

COMPANY ID: 9  
INTERNAL:              
DATE CODE:         

CODED/MS/CUST:      
LOT NO:               
SEE DRAW:          

N/A  
N/A

STAMPING DATA                      NEXT ASSEMBLY



SCALE 4.000

POS	QTY	PART NUMBER	DESCRIPTION	NOTE
4	1	21-33614-5	PCB TAIL	
3	1	21-33690-8	INNER CONTACT	
2	1	21-33689-8	INSULATOR	
1	1	21-33688-8	OUTER CONTACT	

UNLESS OTHERWISE SPECIFIED	SPECIFICATIONS	APPROVALS		DATE	PARTS LIST	
LINEAR DIMENSIONS ARE IN INCHES TOLERANCES: .XXX = ±.0005 .XX = ±.010 .X = ±.03 .X = ±.1 ANGLES = ±2° OTHER STANDARDS PER 9-3800 AND DOD-D-1000 THIRD ANGLE PROJECTION	MATERIAL SPEC.	N/A		PREPARED RATCHFORD	<b>AMPHENOL CORPORATION</b> <small>SIDNEY, N.Y. 13838</small>	
	PROCESS SPEC.	N/A		<i>W. Ratchford</i> 3/27/02 <i>W. Ratchford</i> 3/27/02 <i>W. Ratchford</i> 3/27/02 APPROVED <i>W. Davis</i> 4-3-02	CONTACT ASSEMBLY, PIN, ELECTRICAL CONNECTOR, TYPE M38999, PCB COAX, SIZE 12	
		SIZE	FSCM NO.	DOCUMENT NO.	REV.	
		C	77820	21-33686-8	A	
		SCALE: 10.0		REF: 21-33614-1	SHEET 1 OF 1	

FAMCODES DATA3:                      CICS:

DOC NO 21-33686-8