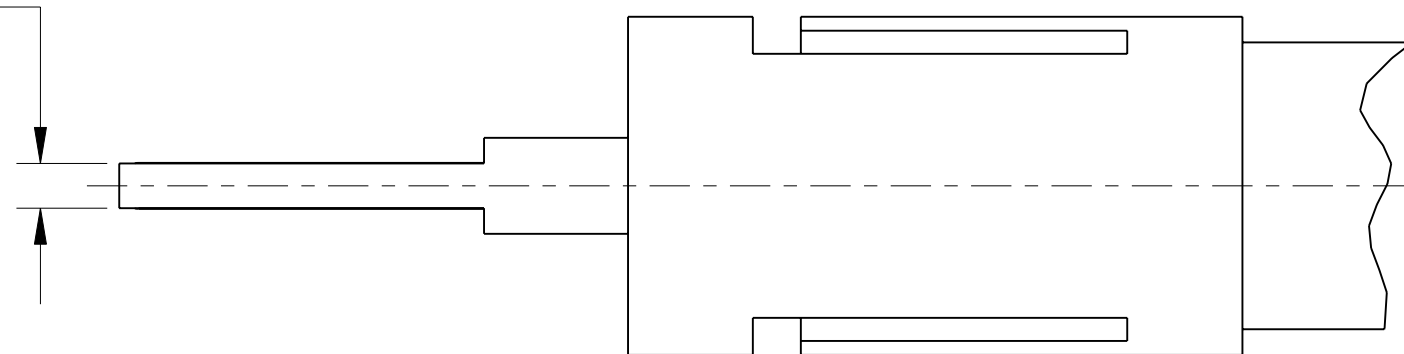


REV. B		SHEET 1 OF 1		21-33686-9	
REVISIONS					
LTR	DESCRIPTION			DATE	
A	INITIAL RELEASE				
B	(CL 11) ECN 99069 ADDED "REF" TO BASIC DIM.			H.REEVE 2/15/06	

.023<sup>+.002</sup>  
-.000



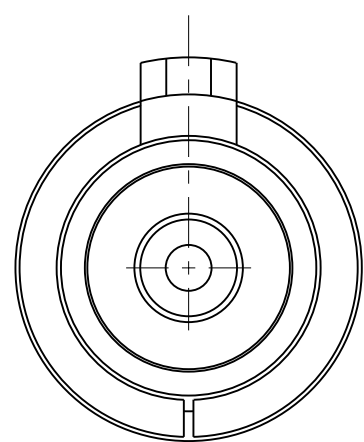
.019<sup>+.003</sup>  
-.001

.190 ± .008

1.224<sup>+.008</sup>  
-.012

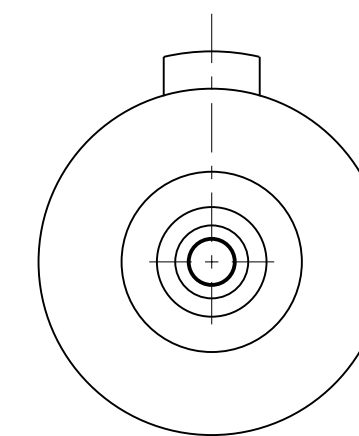
SEE NOTE 3

Ø .180<sup>+.002</sup>  
-.001



.100  
REF

SECTION A-A



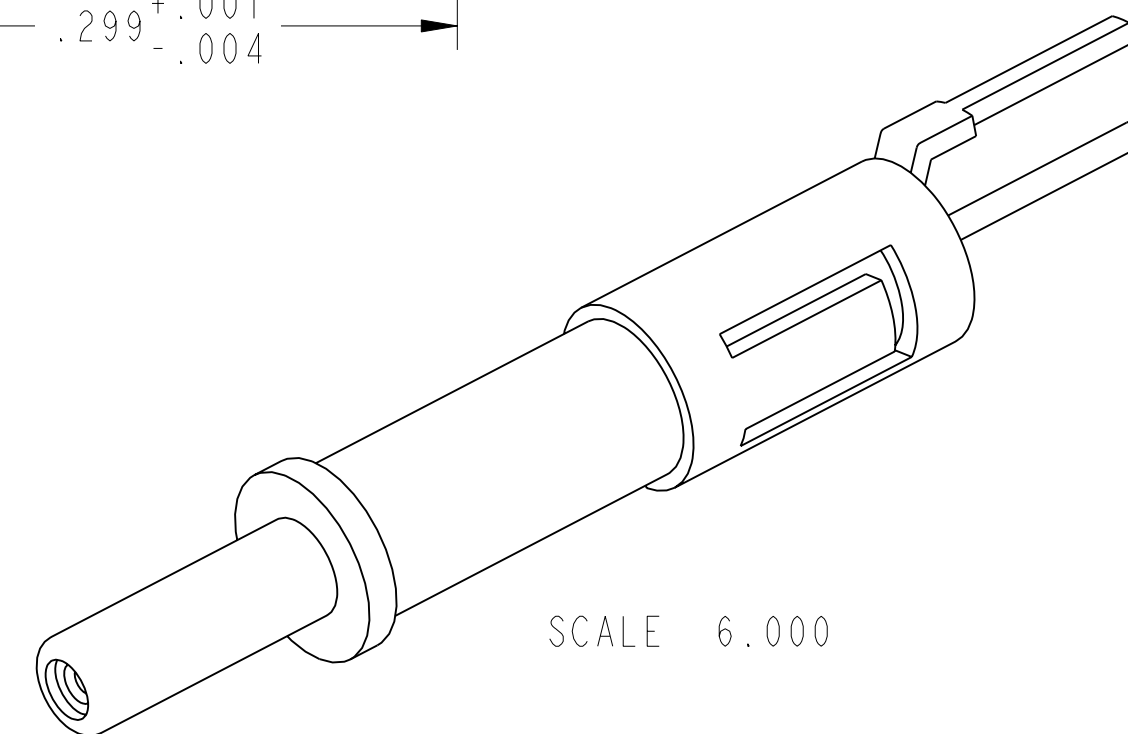
Ø .024 ± .001

.265 REF  
SEE NOTE 6

.660 REF

.299<sup>+.001</sup>  
-.004

Ø .094 ± .001



SCALE 6.000

- 7. PROCESS SPEC: 9-6700, 9-7530
- 6. INDICATED AREA SHALL BE CAPABLE OF MEETING THE SOLDERABILITY REQUIREMENTS OF MIL-STD-202, METHOD 208.
- 5. ALL DIMENSIONS ARE AFTER PLATING.
- 4. MATERIAL: CONTACTS- BERYLLIUM COPPER PER ASTM B196, ALLOY C17300, TEMPER TD04  
INSULATORS- PTFE PER AMS 3651 OR EQUIVALENT  
TAIL CLIP- BERYLLIUM COPPER PER ASTM B194, ALLOY C17200, TEMPER TD02
- 3. BLACK INK STAMP TRADEMARK, 9-6700 TYPE IV, PER 9-7530 ON INDICATED SURFACE.
- 2. PACKAGE PER PRODUCTION PROCESS SHEET.
- 1. FINISH: GOLD PLATED PER MIL-G-45204 TYPE II, GRADE C, CLASS I  
OVER NICKEL PLATE PER QQ-N-290 (50 MICROINCHES THK MIN).

NOTES:

THE USE OF THIS DOCUMENT IS UNLIMITED. HOWEVER, DOCUMENTS REFERENCED HEREON MAY CONTAIN LIMITED RIGHTS DATA.

N/A	PRO/ENGINEER INFORMATION
N/A	Pro/e Model Used: TV.12P_PCB.CX.9.ASSEM
NEXT ASSEMBLY	Drawing Name: 21-33686-9

UNLESS OTHERWISE SPECIFIED

SPECIFICATIONS

MATERIAL SPEC.  
N/A

PROCESS SPEC.  
SEE NOTE 7

LINEAR DIMENSIONS ARE IN INCHES  
TOLERANCES:  
.XXXX = ±.0005 ANGLES= ±2°  
.XXX = ±.010  
.XX = ±.03  
.X = ±.1

DIM. & TOL. PER ASME Y14.5M;  
DRM PER MIL-DTL-31000;  
OTHER Amphenol Sds. PER 9-3800

LEGENDS:  
= FLAG NOTE CALL OUT  
REFERENCE ONLY

POS	QTY	PART NUMBER	DESCRIPTION	NOTE
2	1	21-33691-2	REAR TAIL CLIP	
1	1	21-33692-9	CONTACT SUB ASSEMBLY	

APPROVALS		DATE
PREPARED BY	H.REEVE	
ENGINEER IN CHARGE	RATCHFORD	15-Feb-06
DESIGN MANAGER	H. JOHNSON	
DESIGN ACTIVITY GROUP MIL-AERO DEVELOP		
THIRD ANGLE PROJECTION		

PARTS LIST			
<b>AMPHENOL CORPORATION</b> 40-60 DELAWARE AVENUE SIDNEY, N.Y. 13839			
<b>CONTACT, PIN, COAX, PCB, SIZE 12, ELECTRICAL CONNECTOR, TYPE M38999</b>			
SIZE <b>C</b>	CAGE CODE <b>77820</b>	DOCUMENT NO. <b>21-33686-9</b>	REV. <b>B</b>
SCALE: 10.0 REF:		21-33686-5	SHEET 1 OF 1