

REV. A		SHEET 1 OF 1		DOCUMENT NO. 21-033733-008	
REVISIONS					
LTR	DESCRIPTION			DATE	
A	INITIAL RELEASE			-	

21-033733-008

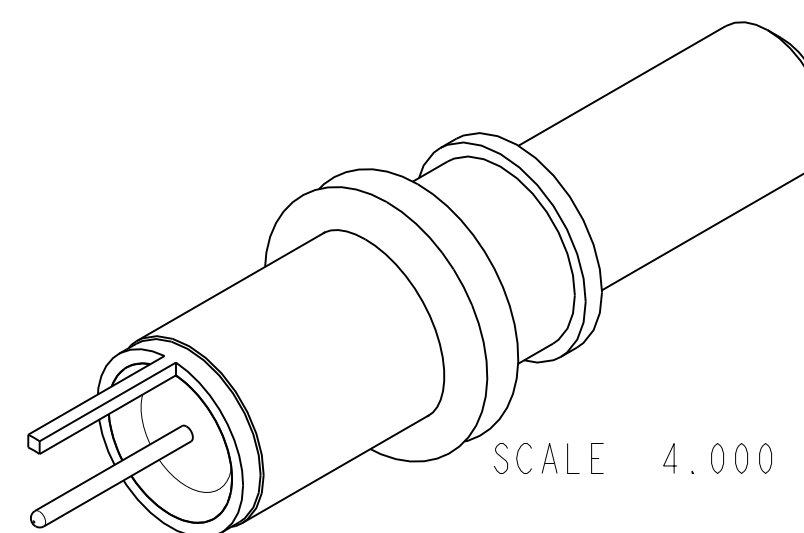
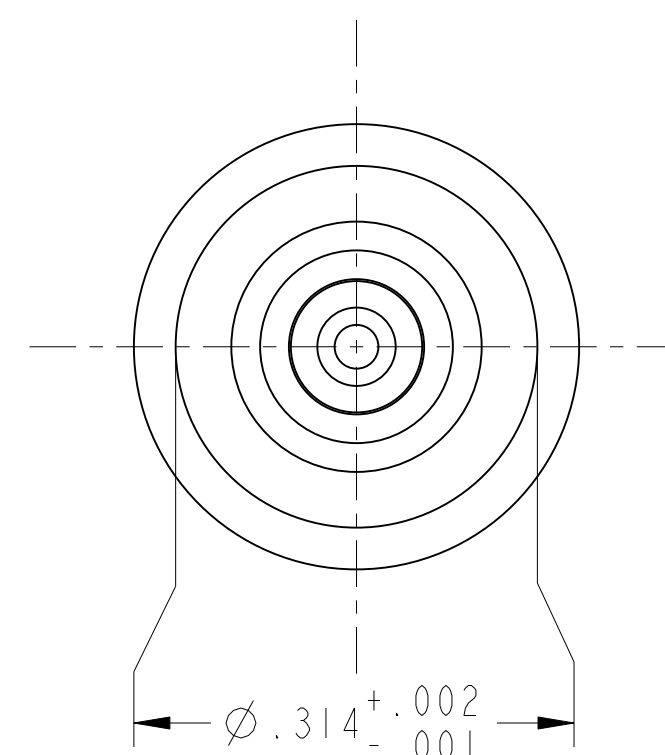
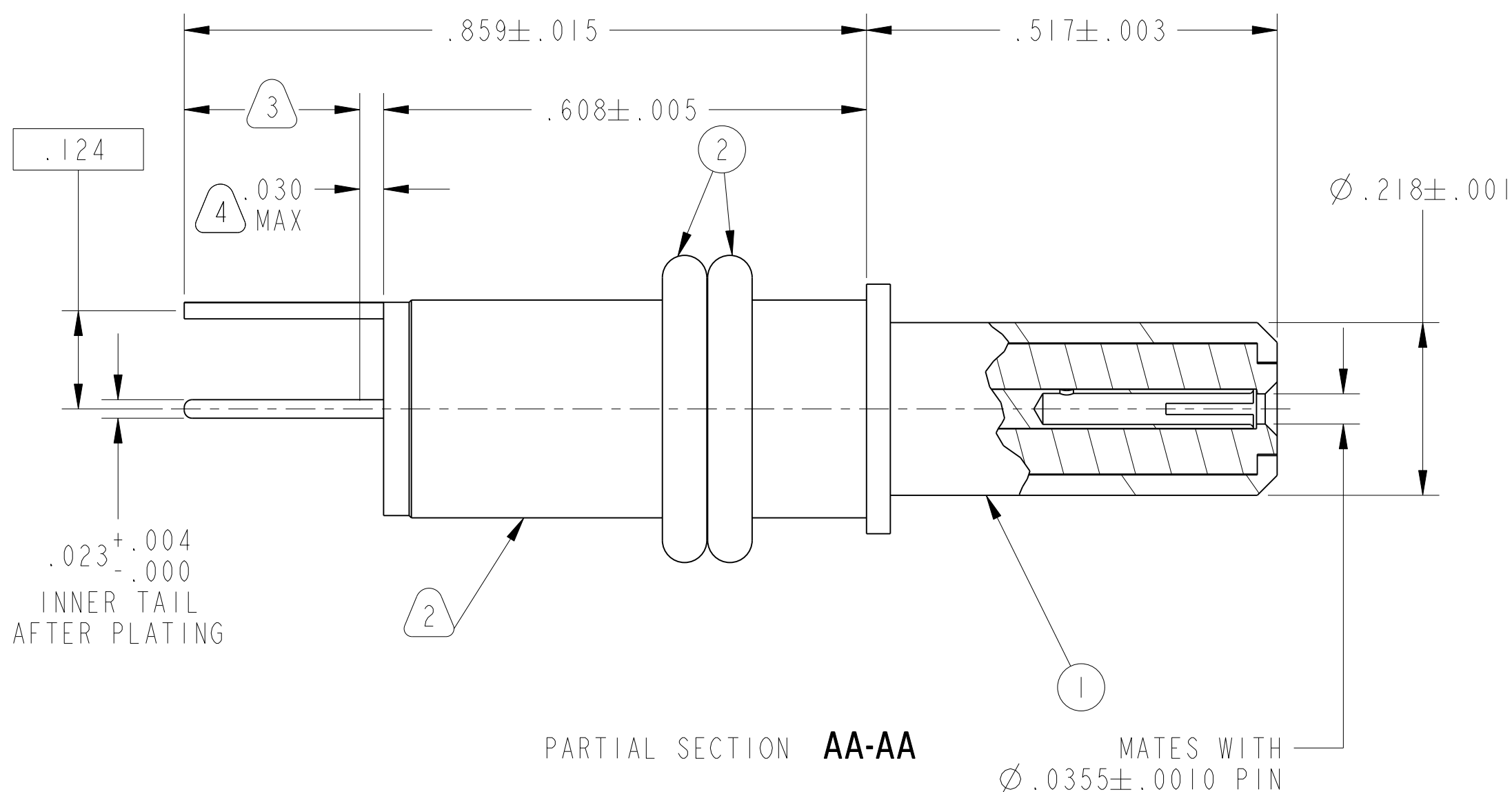
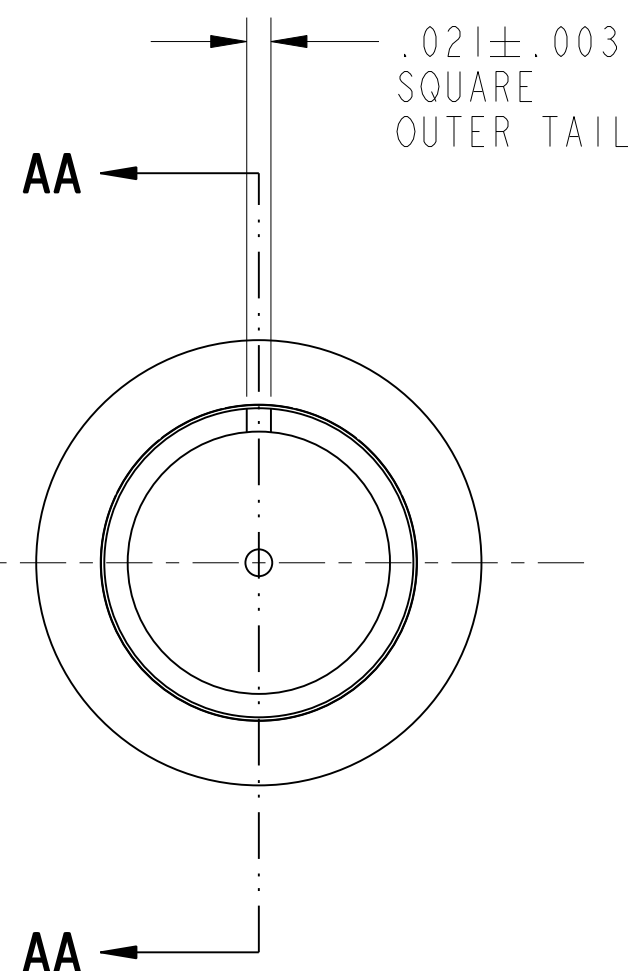
SHEET 1 OF 1

REV. A

C

B

A



5. ALL DIMENSIONS ARE AFTER PLATING.
4. EPOXY MAY BE PRESENT ON CONTACT TAILS IN INDICATED AREA.
3. INDICATED AREA SHALL BE CAPABLE OF MEETING THE SOLDERABILITY REQUIREMENTS OF 9-8825 AFTER STEAM AGING.
2. BLACK INK STAMPED TRADEMARK MAY BE ON INDICATED SURFACE.
1. PACKAGE PER PRODUCTION PROCESS SHEET.

NOTES:

THE USE OF THIS DOCUMENT IS UNLIMITED. HOWEVER, DOCUMENTS REFERENCED HEREON MAY CONTAIN LIMITED RIGHTS DATA.

10-628485-457X  
NEXT ASSEMBLY

PRO/ENGINEER INFORMATION  
Pro/e Model Used:  
21-033733-008.ASSEM  
Drawing Name:  
21-033733-008

UNLESS OTHERWISE SPECIFIED	SPECIFICATIONS
LINEAR DIMENSIONS ARE IN INCHES TOLERANCES: .XXXX = ±.0005 ANGLES= ±2° .XXX = ±.010 .XX = ±.03 .X = ±.1	MATERIAL SPEC. N/A
DIM. & TOL. PER ASME Y14.5M; DRM PER MIL-DTL-31000; OTHER Amphenol Stds. PER 9-3800	PROCESS SPEC. N/A
LEGENDS: = FLAG NOTE CALL OUT REFERENCE ONLY	

2	2	21-033976-001	O-RING	
1	1	21-033733-08M	CONTACT ASSEMBLY	
POS	QTY	PART NUMBER	DESCRIPTION	NOTE
PARTS LIST				
<b>AMPHENOL CORPORATION</b> 40-60 DELAWARE AVENUE SIDNEY, N.Y. 13858				
<b>CONTACT, PIN, COAX,          SIZE 8, PCB,          TYPE M38999 I &amp; III, EPOXY FILLED</b>				
SIZE <b>C</b>	CAGE CODE <b>77820</b>	DOCUMENT NO. <b>21-033733-008</b>	REV. <b>A</b>	
SCALE: 6.0	REF. 21-033733-007	SHEET 1 OF 1		

DOCUMENT NO. 21-033733-008

SHEET 1 OF 1

REV. A

D

C

T

A

Released

REV. A

SHEET 1 OF 1

DOCUMENT NO. 21-033733-008