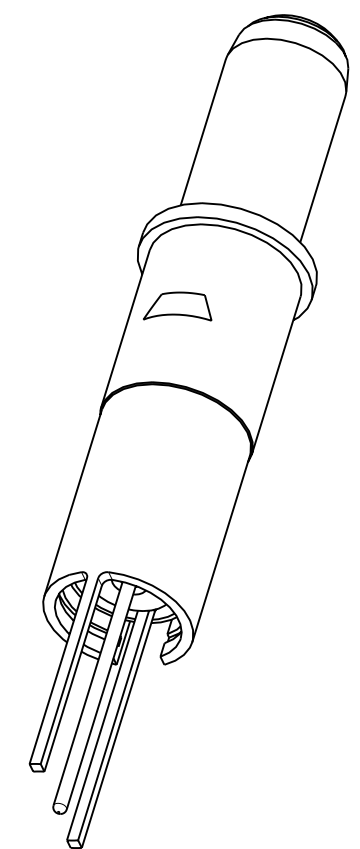
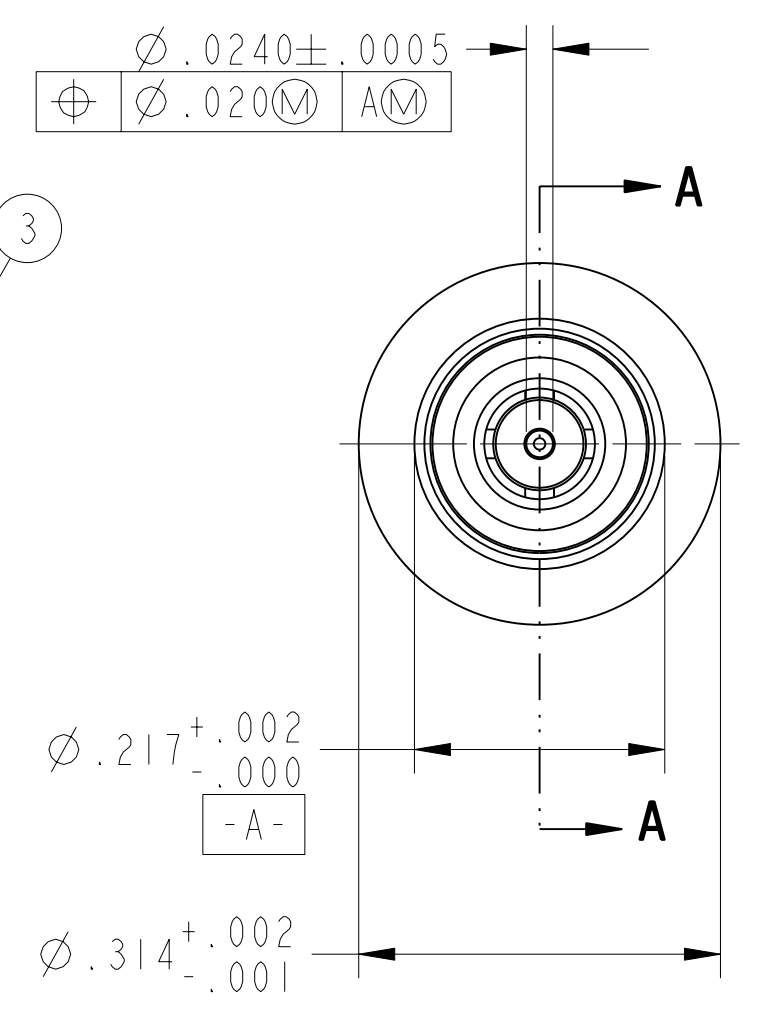
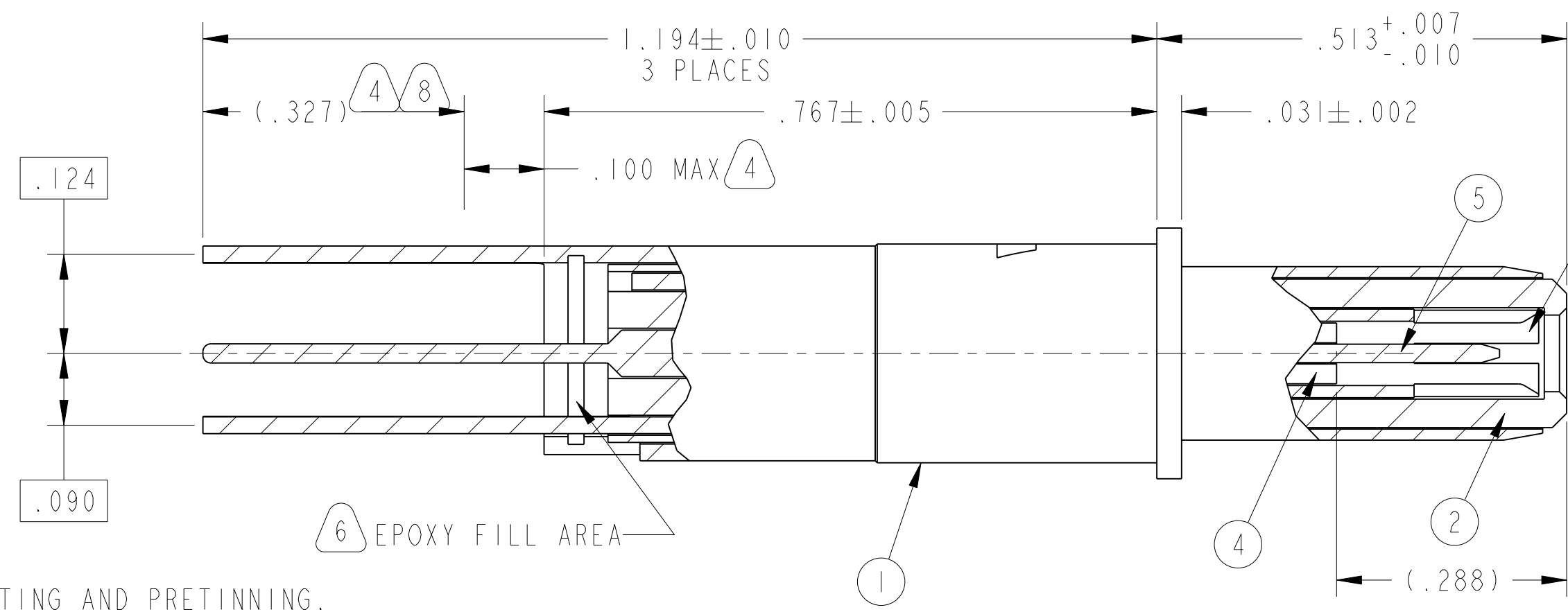
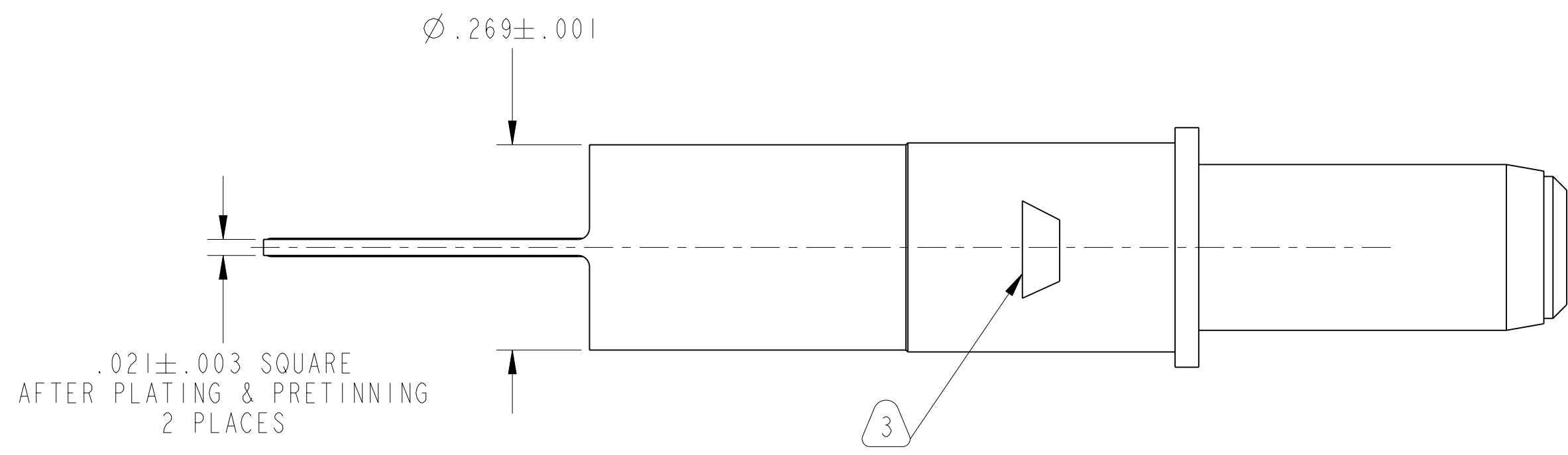


REV. B	SHEET 1 OF 1	DOCUMENT NO. 21-33828-21
REVISIONS		
LTR	DESCRIPTION	DATE
A	INITIAL RELEASE	07-Jun-2005
B	CL(11). SEE CHANGE NOTICE. ECN: 97054-0000	



SCALE 3.000



- FINISH: GOLD PLATED PER ASTM B488, TYPE II, CODE C, CLASS 1.25 (50 MICROINCHES MIN) OVER NICKEL PLATE PER AMS-QQ-N-290 CLASS I (50-200 MICROINCHES THK)
- PACKAGE PER PRODUCTION PROCESS SHEET.
- BLACK INK STAMP TRADEMARK 9-6700 TYPE IV PER 9-7530, ON INDICATED SURFACE.
- PRETIN INDICATED AREA TO WITHIN .100 MAX OF THE CONTACT BODY PER 9-7894.
- PROCESS SPEC: 9-4954-5, 9-7894, 9-6700, 9-7530, 9-8825
- FILL INDICATED AREA WITH EPOXY 9-4954-5 TO HOLD INNER COMPONENTS IN PLACE. .030 MAX EPOXY WICKING BEYOND CONTACT BODY PERMISSIBLE. .270 DIA MAX EPOXY PROTRUSION IN NOTCHED AREA. CURE EPOXY AT 250°F FOR 3 HOURS.
- ALL DIMENSIONS ARE AFTER PLATING AND PRETINNING.

- OPTIONAL: ALIGNMENT INSULATOR 21-33219-101 MAY BE USED TO FACILITATE TAIL ALIGNMENT AND EPOXY FILL. MAY BE ASSEMBLED INTO REAR OF CONTACT PRIOR TO EPOXY FILL.
- INDICATED AREA SHALL BE CAPABLE OF MEETING THE SOLDERABILITY REQUIREMENTS OF 9-8825 AFTER STEAM AGING.

NOTES:
 THE USE OF THIS DOCUMENT IS UNLIMITED. HOWEVER, DOCUMENTS REFERENCED HEREON MAY CONTAIN LIMITED RIGHTS DATA.

N/A	PRO/ENGINEER INFORMATION Pro/e Model Used: 21-033828-021.ASSEM Drawing Name: 21-33828-21
N/A	NEXT ASSEMBLY

UNLESS OTHERWISE SPECIFIED	SPECIFICATIONS
LINEAR DIMENSIONS ARE IN INCHES TOLERANCES: .XXXX = ±.0005 ANGLES= ±2° .XXX = ±.010 .XX = ±.03 .X = ±.1	MATERIAL SPEC. N/A
DIM. & TOL. PER ASME Y14.5M; DRM PER MIL-DTL-31000; OTHER Amphenol Stds. PER 9-3800	PROCESS SPEC. SEE NOTE 5
LEGENDS: = FLAG NOTE CALL OUT REFERENCE ONLY	

POS	QTY	PART NUMBER	DESCRIPTION	NOTE
5	1	21-33828-26	INNER CONTACT	
4	1	21-33828-25	INNER INSULATOR	
3	1	21-33828-24	INTERMEDIATE CONTACT	
2	1	21-33828-23	OUTER INSULATOR	
1	1	21-33828-22	OUTER CONTACT	

APPROVALS		DATE	PARTS LIST	
PREPARED BY D. PHILLIPS	ENGINEER IN CHARGE L. RATCHFORD	07-Apr-04	AMPHENOL CORPORATION 40-60 DELAWARE AVENUE SIDNEY, N.Y. 13858 CONTACT, PIN, TRIAX SIZE 8, PCB, TYPE M38999 I & III	
DESIGN MANAGER A. DAVIS	DESIGN ACTIVITY GROUP MIL-AERO			
THIRD ANGLE PROJECTION			SIZE C	CAGE CODE 77820
			DOCUMENT NO. 21-33828-21	REV. B
			SCALE: 6.0	SHEET 1 OF 1

21-33828-21

SHEET 1 OF 1

REV. B

C

B

A

FORMAT: C-U-E-1

RELEASE STATE Released

SHEET 1 OF 1

21-33828-21