

REV. B		SHEET 1 OF 1		DOCUMENT NO. 21-33834-1	
REVISIONS					
LTR	DESCRIPTION	DATE			
A	INITIAL RELEASE	21-Dec-2004			
B	CL(11). SEE CHANGE NOTICE. ECN: 97211-0000				

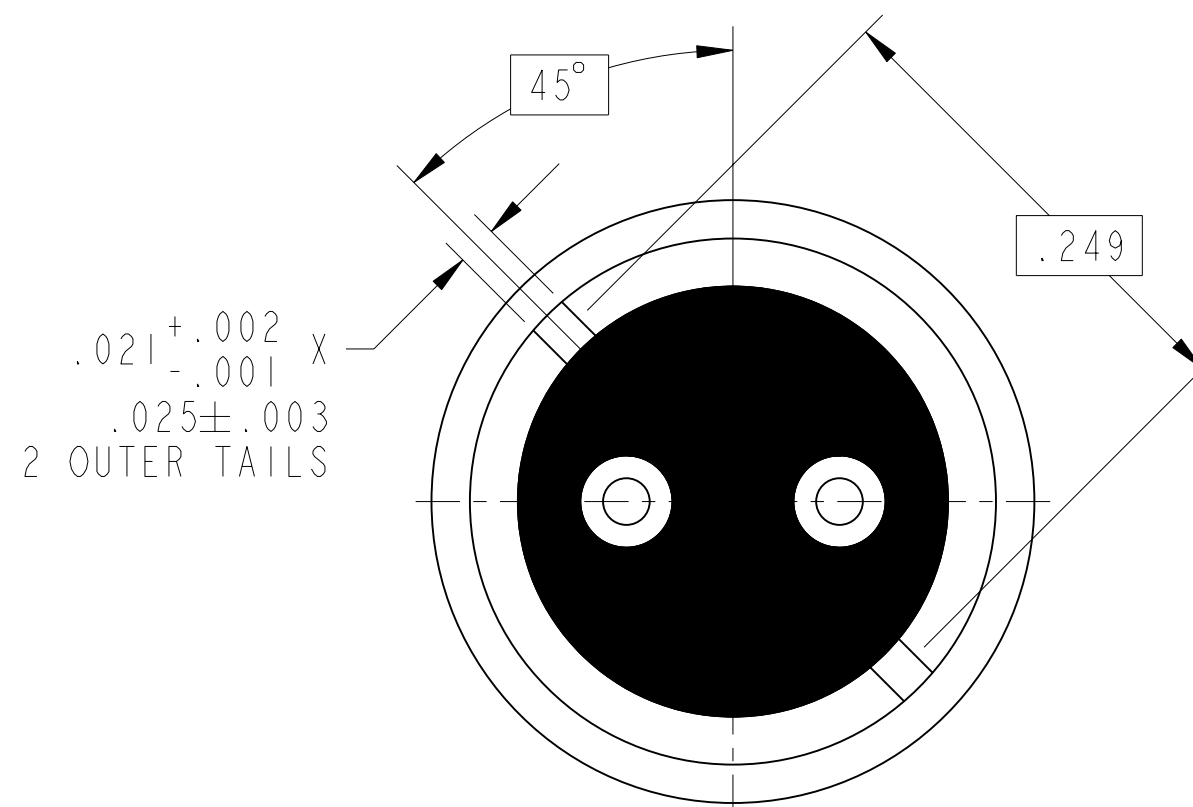
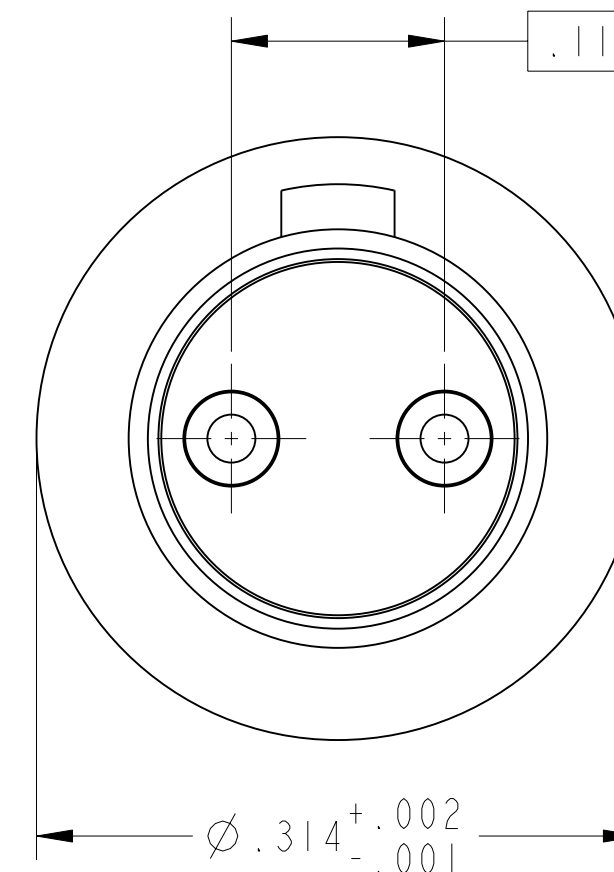
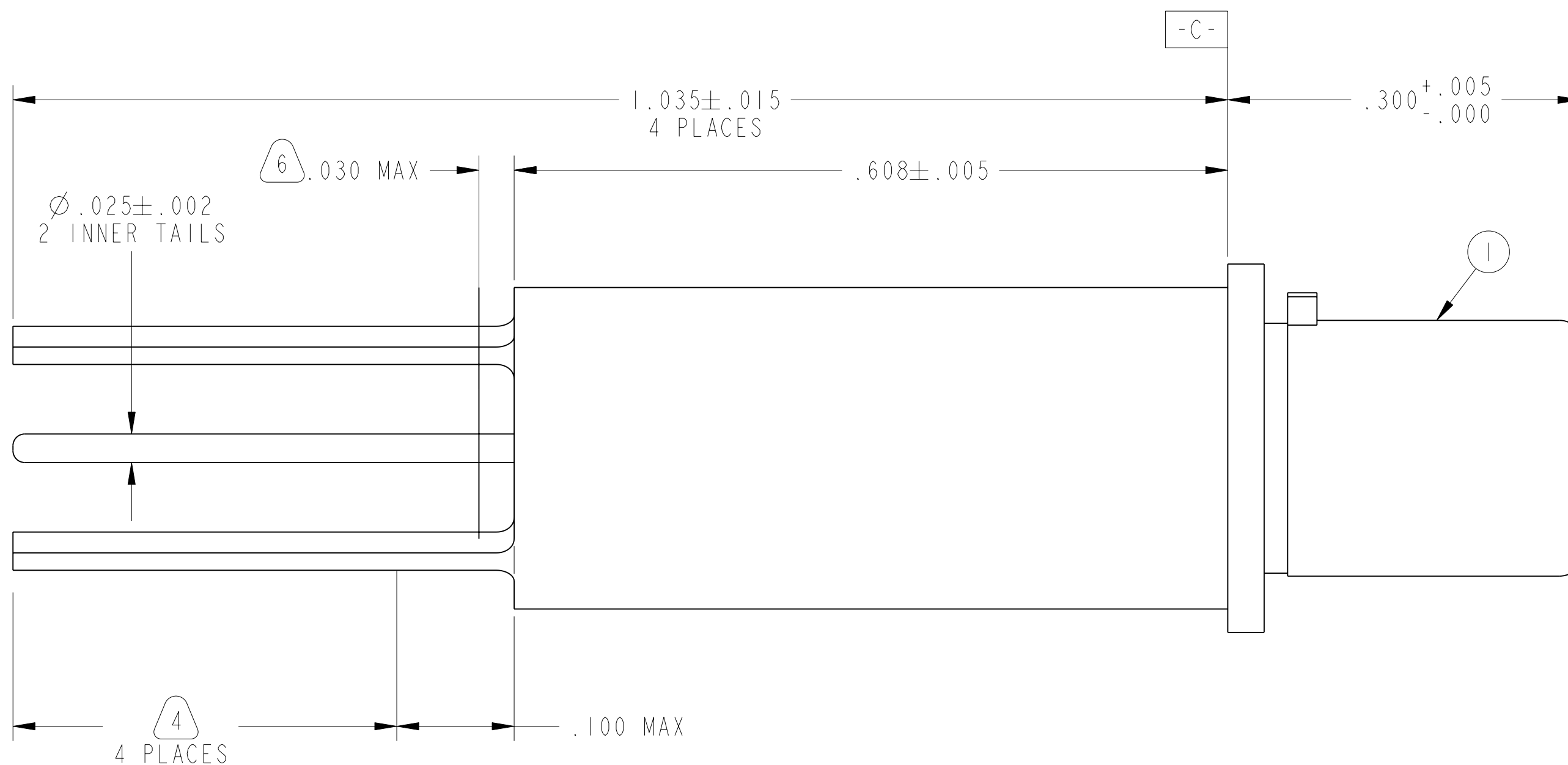
21-33834-1

SHEET 1 OF 1

REV. B

C

R



VIEW AT R

- 8. ALL DIMENSIONS ARE AFTER PLATING AND PRETINNING.
- 7. MATES WITH M38999 DIFFERENTIAL TWINAX SOCKETS 21-33388-().
- 6. EPOXY MAY BE PRESENT ON CONTACT TAILS IN INDICATED AREA.
- 5. PROCESS SPEC: 9-4954-5, 9-7894
- 4. INDICATED AREA OF TAILS IS PRETINNED.
- 3. MATERIALS:
OUTER & INNER CONTACTS- BERYLLIUM COPPER PER ASTM-B-196
FRONT INSULATOR & SPACER INSULATOR- TFE RESIN PER AMS 3651
- 2. FINISH:
GOLD PLATED PER MIL-G-45204 TYPE II, GRADE C, CLASS I (.000050 MIN)
OVER NICKEL PLATE PER QQ-N-290 (.000050 MIN).
- 1. CONTACTS MEET THE ENVELOPE DIMENSIONAL REQUIREMENTS OF M39029/90.

NOTES:

THIS DOCUMENT CONTAINS PROPRIETARY INFORMATION AND SUCH INFORMATION MAY NOT BE DISCLOSED TO OTHERS FOR ANY PURPOSE OR USED FOR MANUFACTURING PURPOSES WITHOUT WRITTEN PERMISSION FROM THE AMPHENOL CORP.

N/A NEXT ASSEMBLY

PRO/ENGINEER INFORMATION
Pro/e Model Used:
21-33834-1.ASSEM
Drawing Name:
21-33834-1

UNLESS OTHERWISE SPECIFIED	SPECIFICATIONS
LINEAR DIMENSIONS ARE IN INCHES TOLERANCES: .XXXX = ±.0005 ANGLES= ±2° .XXX = ±.010 .XX = ±.03 .X = ±.1	MATERIAL SPEC. N/A
DIM. & TOL. PER ASME Y14.5M; DRM PER MIL-DTL-31000; OTHER Amphenol Stds. PER 9-3800	PROCESS SPEC. SEE NOTE 5
LEGENDS: = FLAG NOTE CALL OUT REFERENCE ONLY	

I	I	21-33834-IM	CONTACT, PIN, QUADRAX, PCB	
POS	QTY	PART NUMBER	DESCRIPTION	NOTE
PARTS LIST				
AMPHENOL CORPORATION 40-60 DELAWARE AVENUE SIDNEY, N.Y. 13858				
CONTACT, PIN, DIFFERENTIAL TWINAX TYPE M38999 I & III, PCB				
SIZE	CAGE CODE	DOCUMENT NO.	REV.	
C	77820	21-33834-1	B	
SCALE: 10.0		REF. 21-33398-21	SHEET 1 OF 1	

RELEASE STATE Released

SHEET 1 OF 1

21-33834-1