

REV. A	SHEET 1 OF 1	DOCUMENT NO. 21-033834-051
REVISIONS		
LTR	DESCRIPTION	DATE
A	INITIAL RELEASE	-

21-033834-051

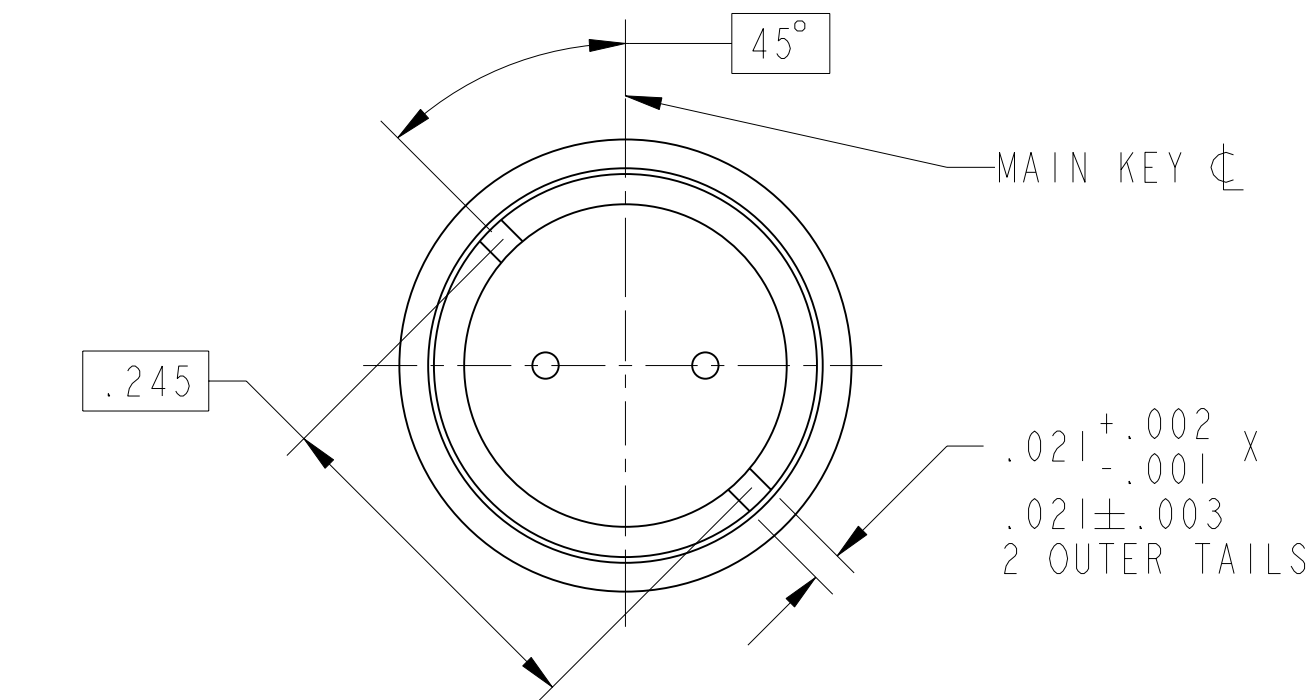
SHEET 1 OF 1

REV. A

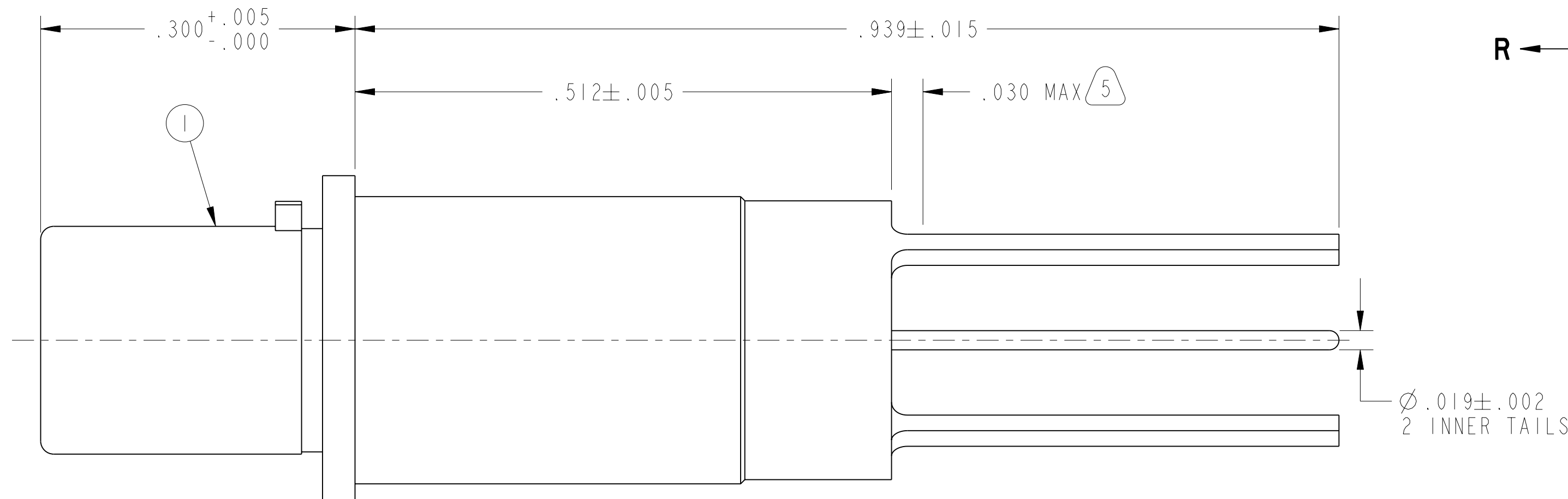
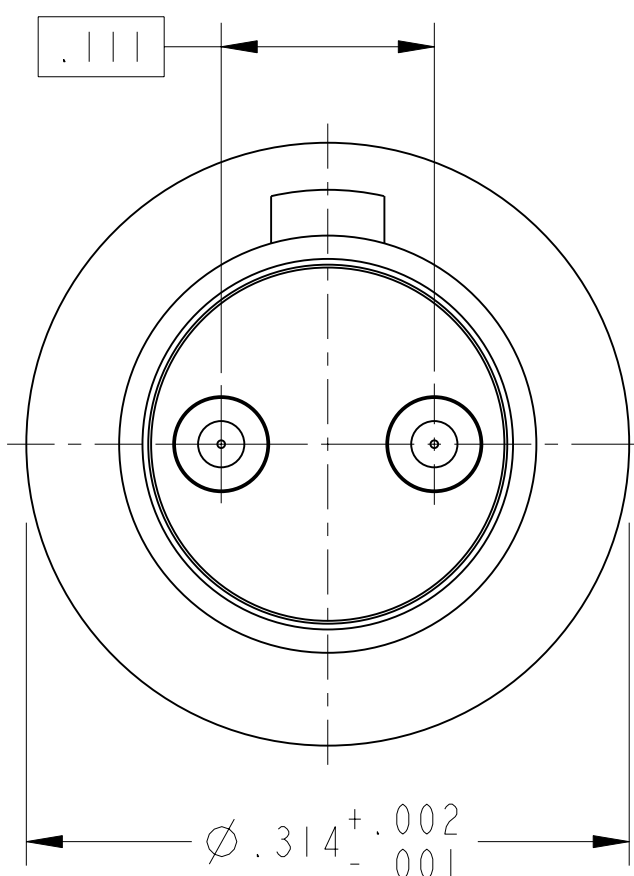
C

B

A



VIEW AT R-R
SCALE 7.500



- CONTACTS MEET THE ENVELOPE DIMENSIONAL REQUIREMENTS OF M39029/90.
- FINISH:
GOLD PLATED PER MIL-G-45204 TYPE II, GRADE C, CLASS I (.000050 MIN)
OVER NICKEL PLATE PER QQ-N-290 (.000050 MIN).
- MATERIALS:
OUTER & INNER CONTACTS- BERYLLIUM COPPER PER ASTM-B-196
FRONT INSULATOR & SPACER INSULATOR- TFE RESIN PER AMS 3651
- MATES WITH M38999 DIFFERENTIAL TWINAX SOCKETS 21-033388-021 & OTHERS.
- EPOXY MAY BE PRESENT ON CONTACT TAILS IN INDICATED AREA.

NOTES:

THE USE OF THIS DOCUMENT IS UNLIMITED. HOWEVER, DOCUMENTS REFERENCED HEREON MAY CONTAIN LIMITED RIGHTS DATA.

RELEASED / Apr . 05 2006, 09:53 AM

DOCUMENT NO. 21-033834-051

SHEET 1 OF 1

REV. A

10-628485-392X

NEXT ASSEMBLY

PRO/ENGINEER INFORMATION

Pro/e Model Used:

21-033834-051.ASSEM

Drawing Name:

21-033834-051

UNLESS OTHERWISE SPECIFIED	SPECIFICATIONS
LINEAR DIMENSIONS ARE IN INCHES TOLERANCES: .XXXX = ±.0005 ANGLES= ±2° .XXX = ±.010 .XX = ±.03 .X = ±.1	MATERIAL SPEC. N/A
DIM. & TOL. PER ASME Y14.5M; DRM PER MIL-DTL-31000; OTHER Amphenol Stds. PER 9-3800	PROCESS SPEC. N/A
LEGENDS: = FLAG NOTE CALL OUT REFERENCE ONLY	

I	I	21-033834-051M	PIN, DIFF. TWINAX, PCB	
POS	QTY	PART NUMBER	DESCRIPTION	NOTE
PARTS LIST				
AMPHENOL CORPORATION 40-60 DELAWARE AVENUE SIDNEY, N.Y. 13858 CONTACT, PIN, DIFFERENTIAL TWINAX, ELECTRICAL CONNECTOR, TYPE M38999 I & III, PCB				
SIZE	CAGE CODE	DOCUMENT NO.	REV.	
C	77820	21-033834-051	A	
SCALE: 10.0	REF. 21-033398-181	SHEET 1 OF 1		

21-033834-051

SHEET 1 OF 1

REV. A

C

B

A

21-033834-051